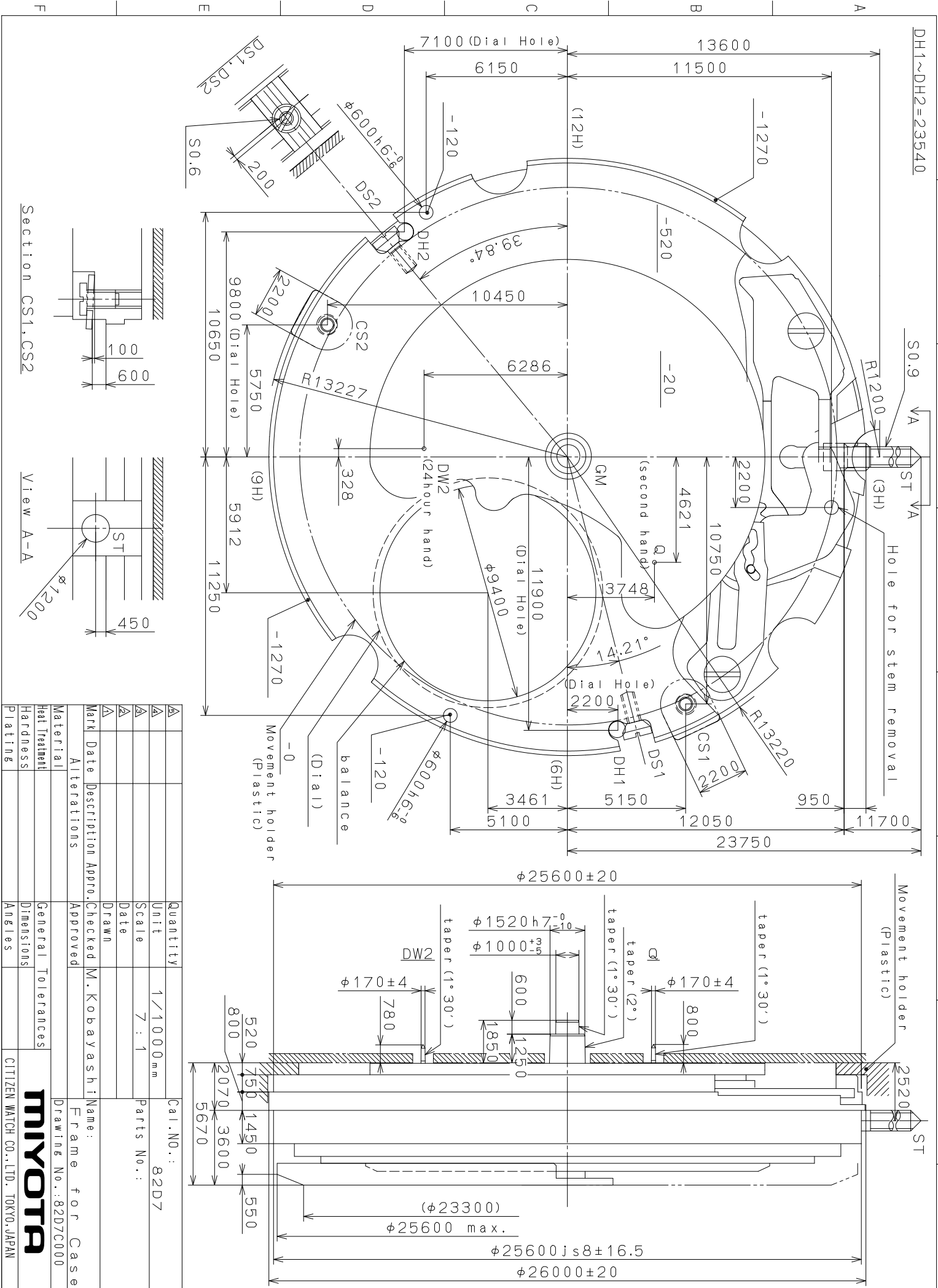
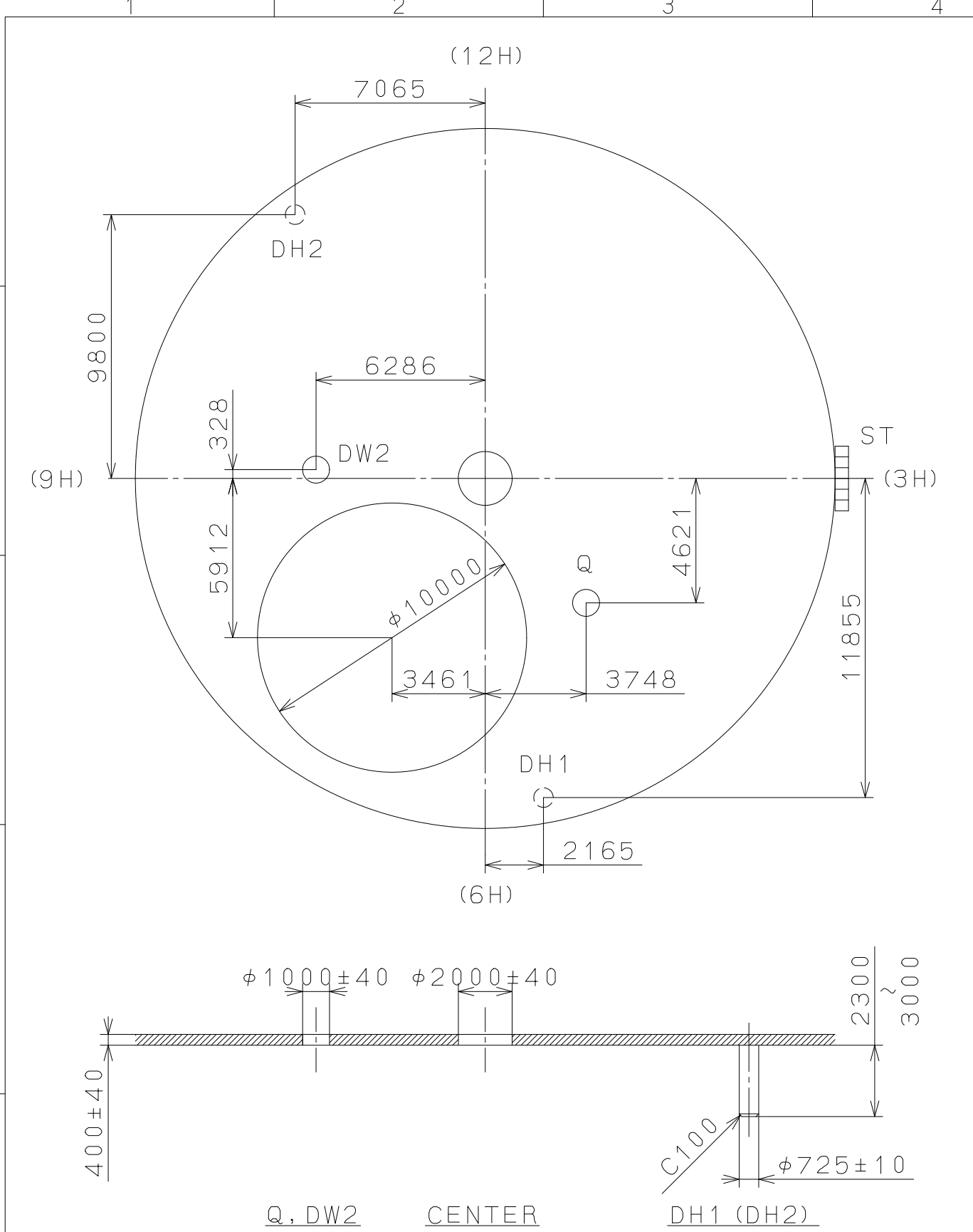


This drawing is provisional and subject to our reconfirmation and/or revision without notice.



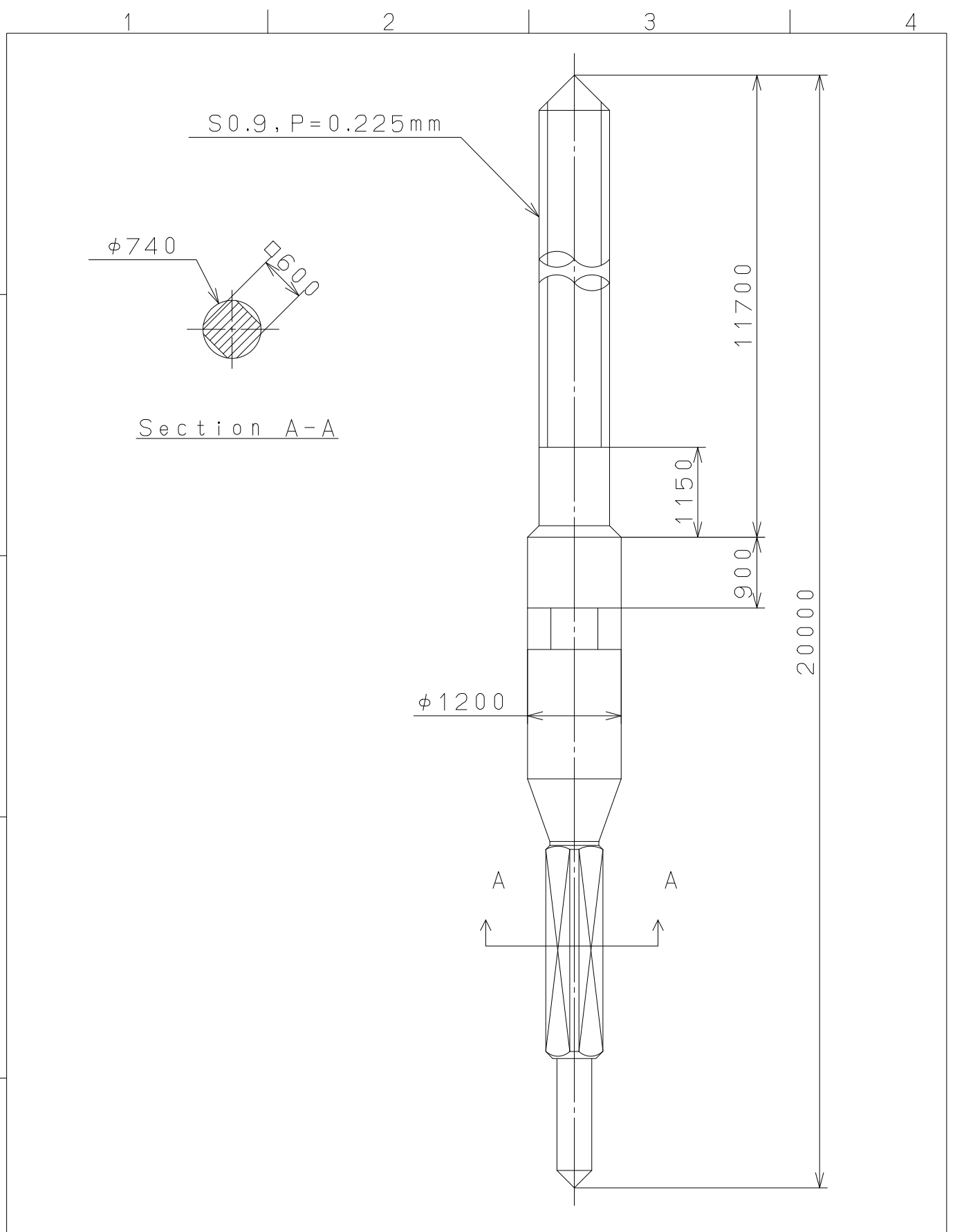
This drawing is provisional and subject to our reconfirmation and/or revision without notice.



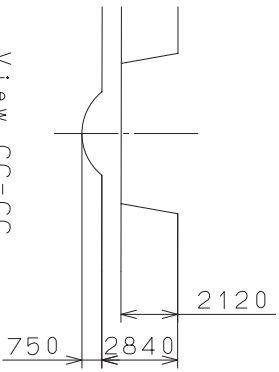
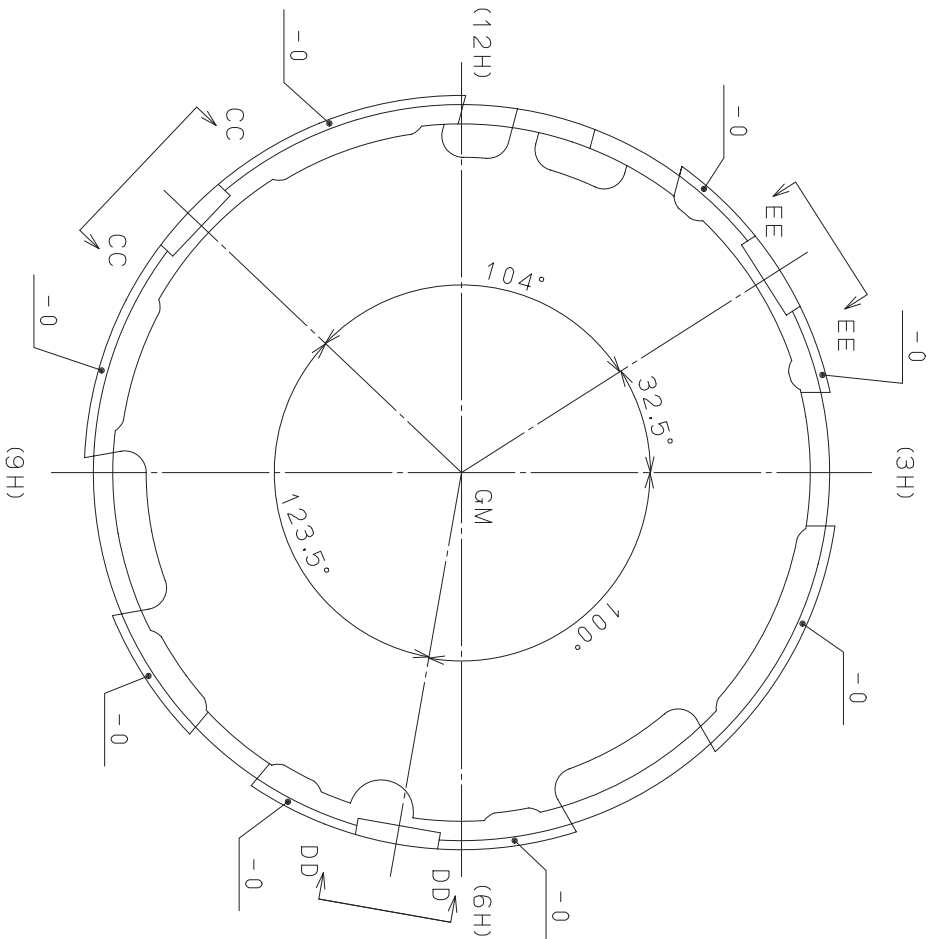
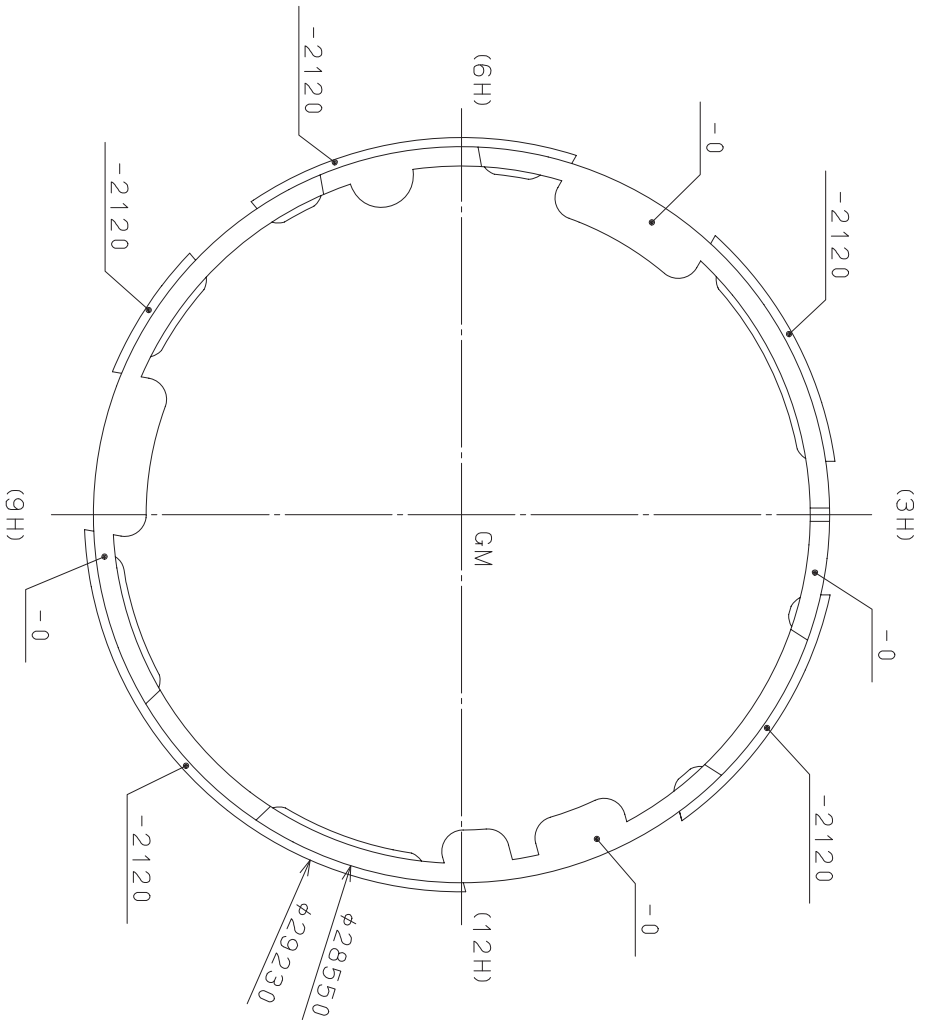
△			Quantity		Cal.NO.: 82D7-43A
△			Unit	1 / 1000 mm	82D7-43G
△			Scale	5 : 1	Parts No.:
△			Date		
△			Drawn		
Mark	Date	Description	Appro.	Checked M. Kobayashi	Name:
Alterations			Approved		Indications for Dial
Material					Drawing No.: 82D7D000
Heat Treatment					<b>MIYOTA</b> CITIZEN WATCH CO., LTD. TOKYO, JAPAN
Hardness					
Plating					

2008/11/14 (11:30:42)

This drawing is provisional and subject to our reconfirmation and/or revision without notice.



⑤			Quantity		Cal.NO.:
④			Unit	1/1000mm	
③			Scale	15:1	Parts No.:
②			Date		065-212
①			Drawn		Name:
Mark	Date	Description	Appro.	Checked	N. Suzuki
Alterations			Approved	SETTING STEM	
Material				Drawing No.: 2120S001	
Heat Treatment				<b>MIYOTA</b> CITIZEN WATCH CO., LTD. TOKYO, JAPAN	
Hardness					
Plating					



View CC-CC  
DD-DD, EE-EE

△	Quantity	1/1000 mm	Call. NO.:
△	Unit	5 : 1	Parts No.:
△	Scale	500-710	Drawn
△	Date		Checked
△	Drawn		Approved
Mark	Date	Description	Appr.
Alterations	Checked	N. Suzuki	Approved
Material	Name: Casing Holder		
Heat Treatment	Drawing No.: 8200E002		
Hardness	General Tolerances		
Plating	Dimensions		
	Angles		
	CITIZEN WATCH CO., LTD. TOKYO, JAPAN		
	<b>MIYOTA</b>		