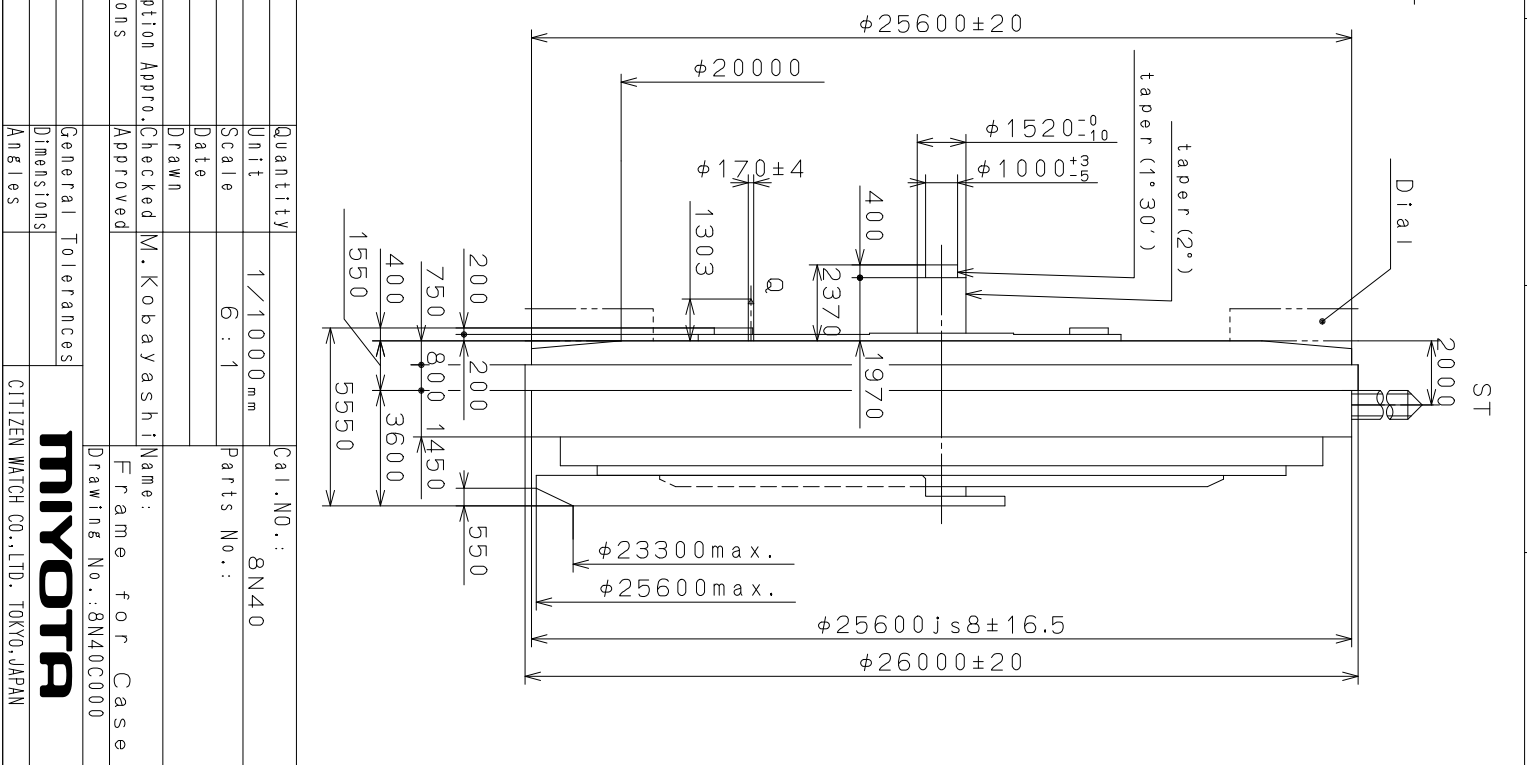
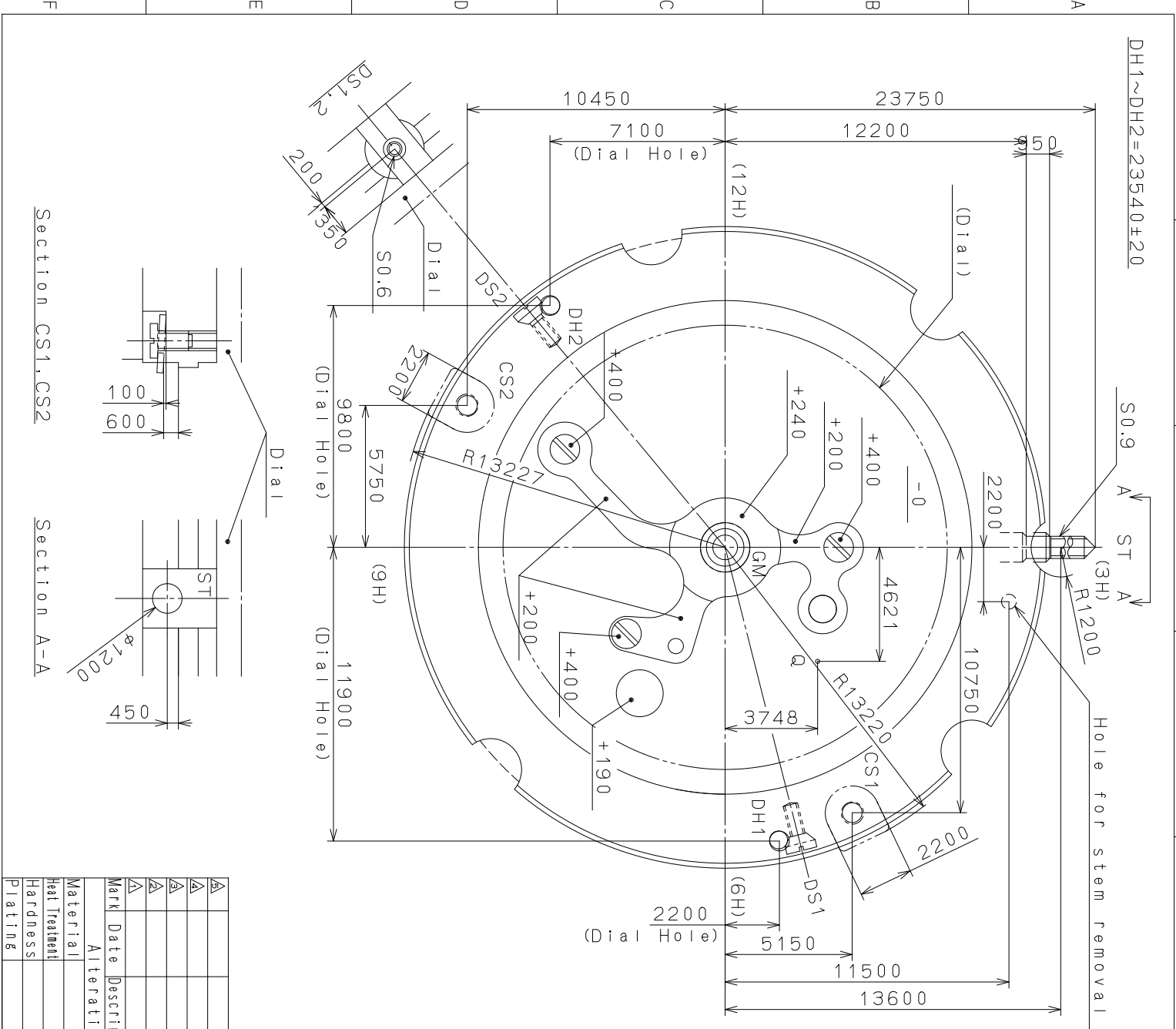
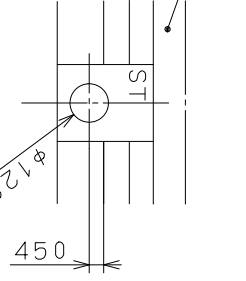
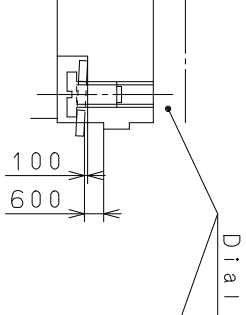


This drawing is provisional and subject to our reconfirmation and/or revision without notice.



Section CS1, CS2

Section A-A



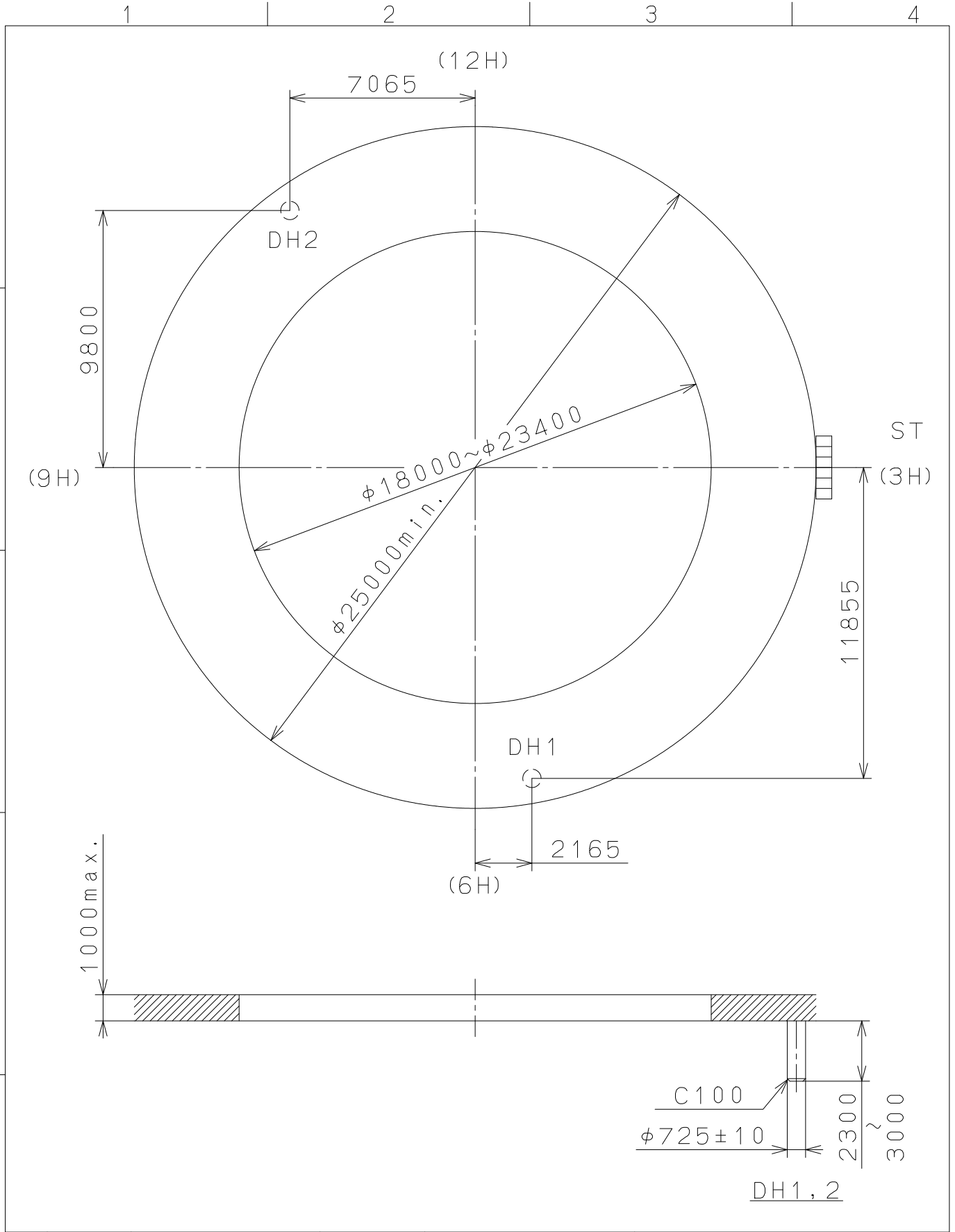
Material	Alterations	Mark Date	Description	Checked	M. Kobayashi	Name:	Frame for Case
Heat Treatment				Approved			Drawing No.: 8N40C000
Hardness							
Plating							
General Tolerances		Quantity	Unit	Cal. No.:		8N40	
Dimensions			1/1000 mm	Scale		6:1	
Angles				Date		Parts No.:	
				Drawn			



CITIZEN WATCH CO., LTD. TOKYO, JAPAN

This drawing is provisional and subject to our reconfirmation and/or revision without notice.

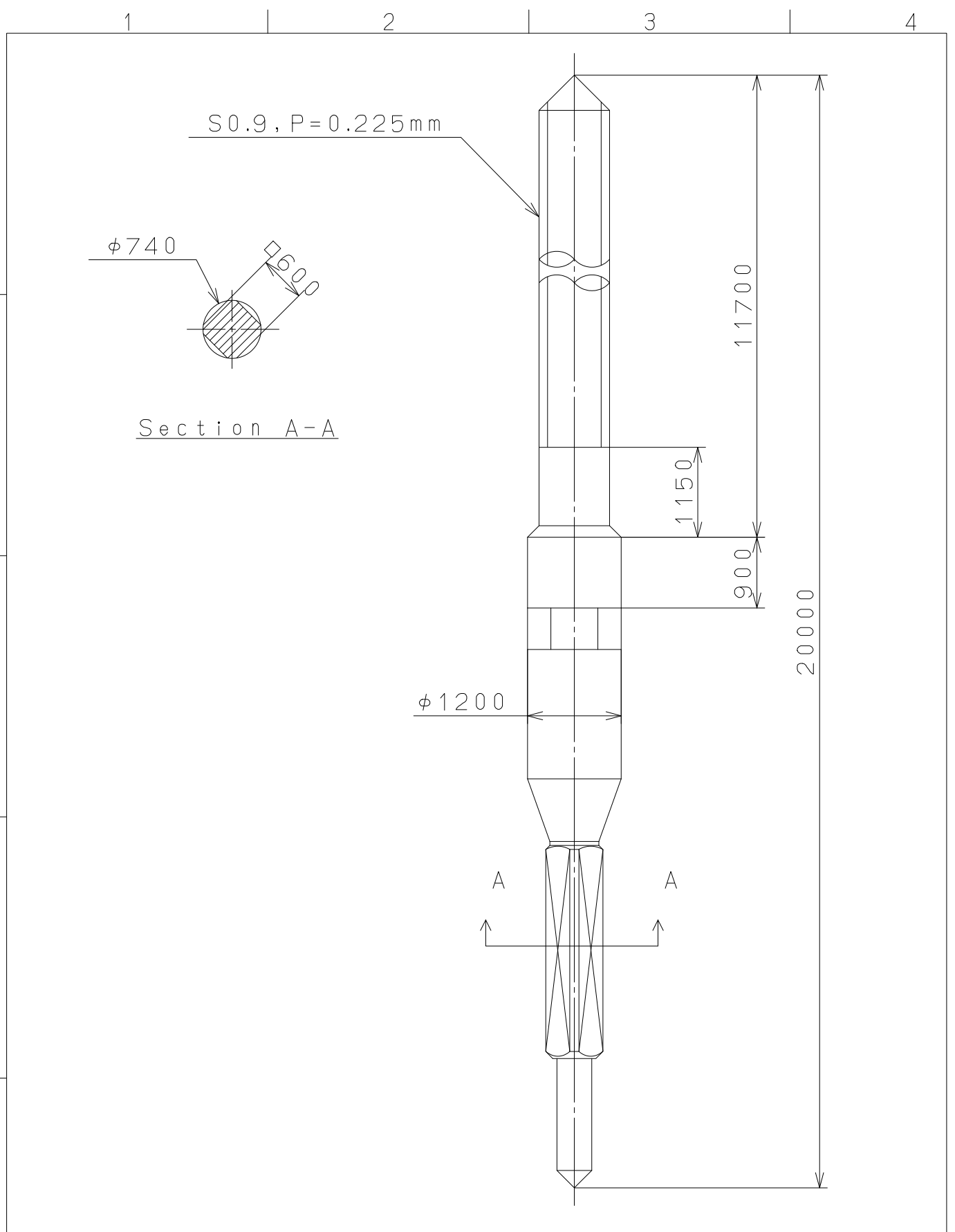
A
B
C
D
E
F



△5			Quantity		Cal.NO.: 8N40-E21
△4			Unit	1 / 1000 mm	8N40-D21
△3			Scale	5 : 1	Parts No.:
△2			Date		
△1			Drawn		
Mark	Date	Description	Appr.	Checked M. Kobayashi	Name:
Alterations			Approved		Indications for Dial
Material					Drawing No.: 8N40D000
Heat Treatment					MIYOTA CITIZEN WATCH CO., LTD. TOKYO, JAPAN
Hardness	General Tolerances				
Plating	Dimensions				
	Angles				

2008/11/14 (11:30:42)

This drawing is provisional and subject to our reconfirmation and/or revision without notice.



⑤			Quantity		Cal.NO.:
④			Unit	1/1000mm	
③			Scale	15:1	Parts No.:
②			Date		065-212
①			Drawn		Name:
Mark	Date	Description	Appr.	Checked	N. Suzuki
Alterations			Approved	SETTING STEM	
Material					Drawing No.: 2120S001
Heat Treatment	General Tolerances				MIYOTA
Hardness	Dimensions				
Plating	Angles				
					CITIZEN WATCH CO., LTD. TOKYO, JAPAN