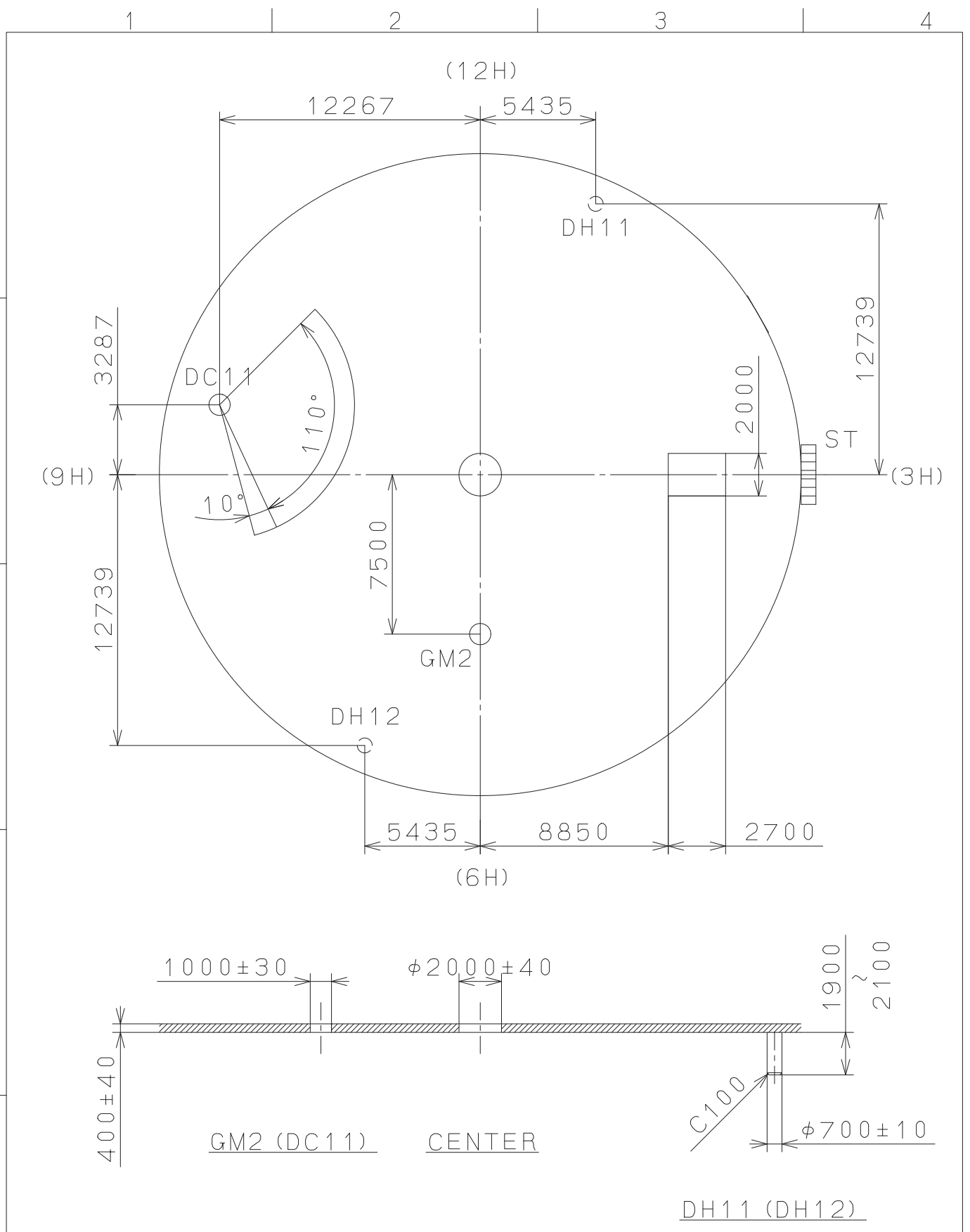


This drawing is provisional and subject to our reconfirmation and/or revision without notice.



△5			Quantity		Cal.NO.:
△4			Unit	1 / 1000 mm	9134-20A
△3			Scale	4 : 1	Parts No.:
△2			Date		
△1			Drawn		
Mark	Date	Description	Appr.	Checked	M. Kobayashi
Alterations			Approved	Name:	
Material			Indications for Dial		
Heat Treatment			Drawing No.: 9134D000		
Hardness			General Tolerances		
Plating			Dimensions		
			Angles		
MIYOTA					
CITIZEN WATCH CO., LTD. TOKYO, JAPAN					