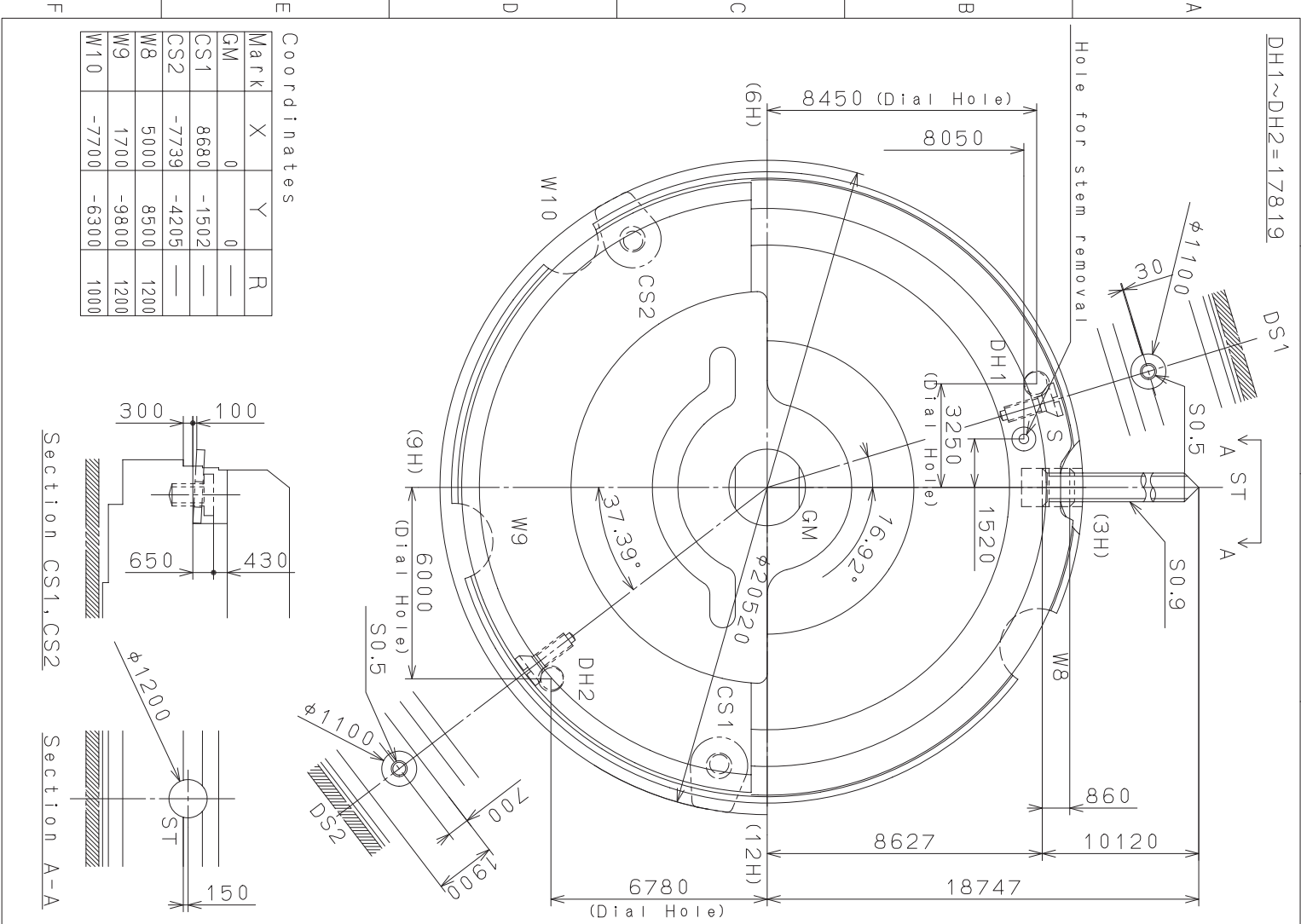
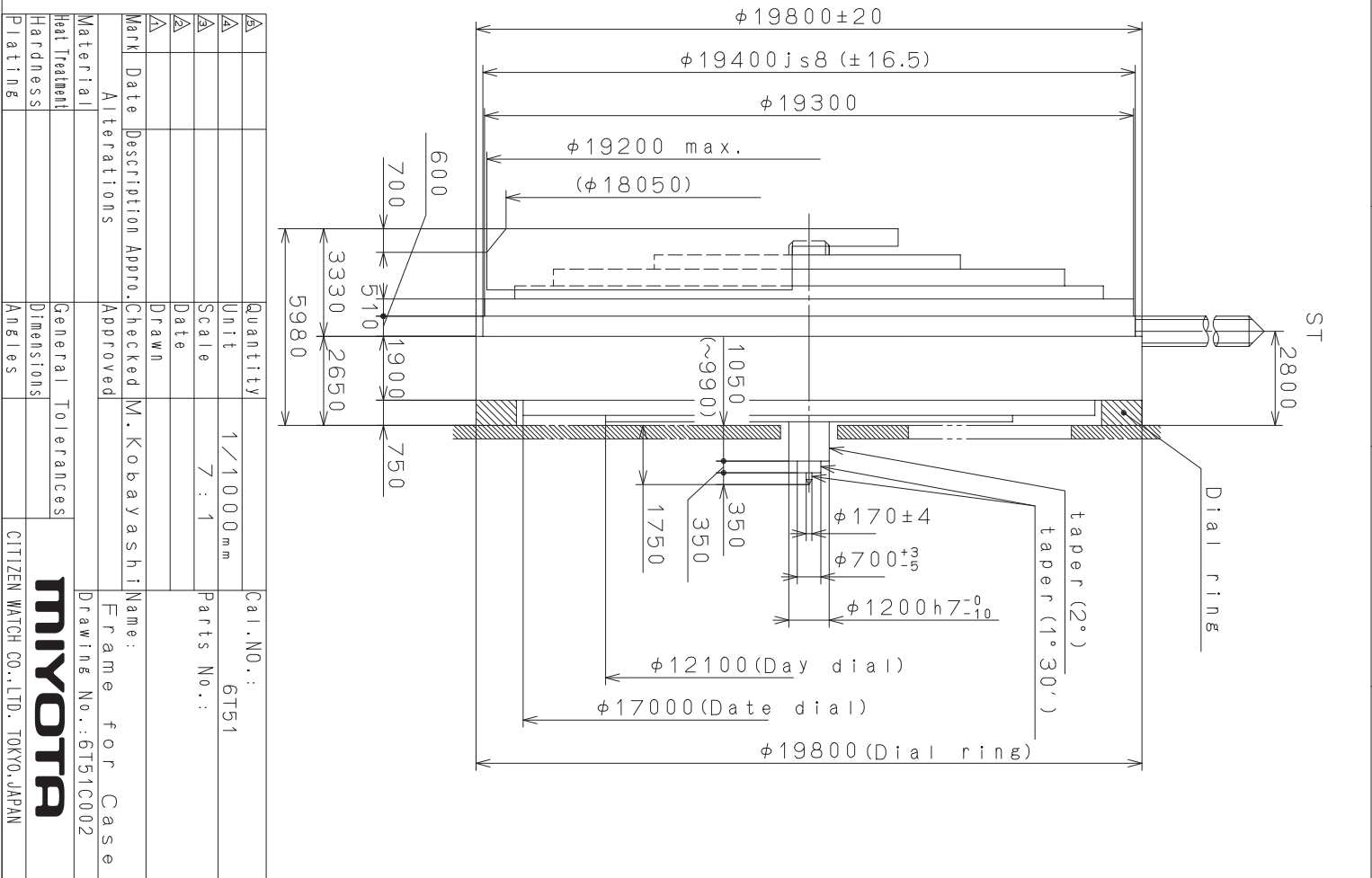
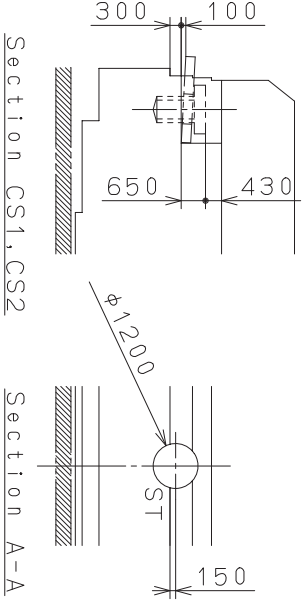


This drawing is provisional and subject to our reconfirmation and/or revision without notice.



Coordinates

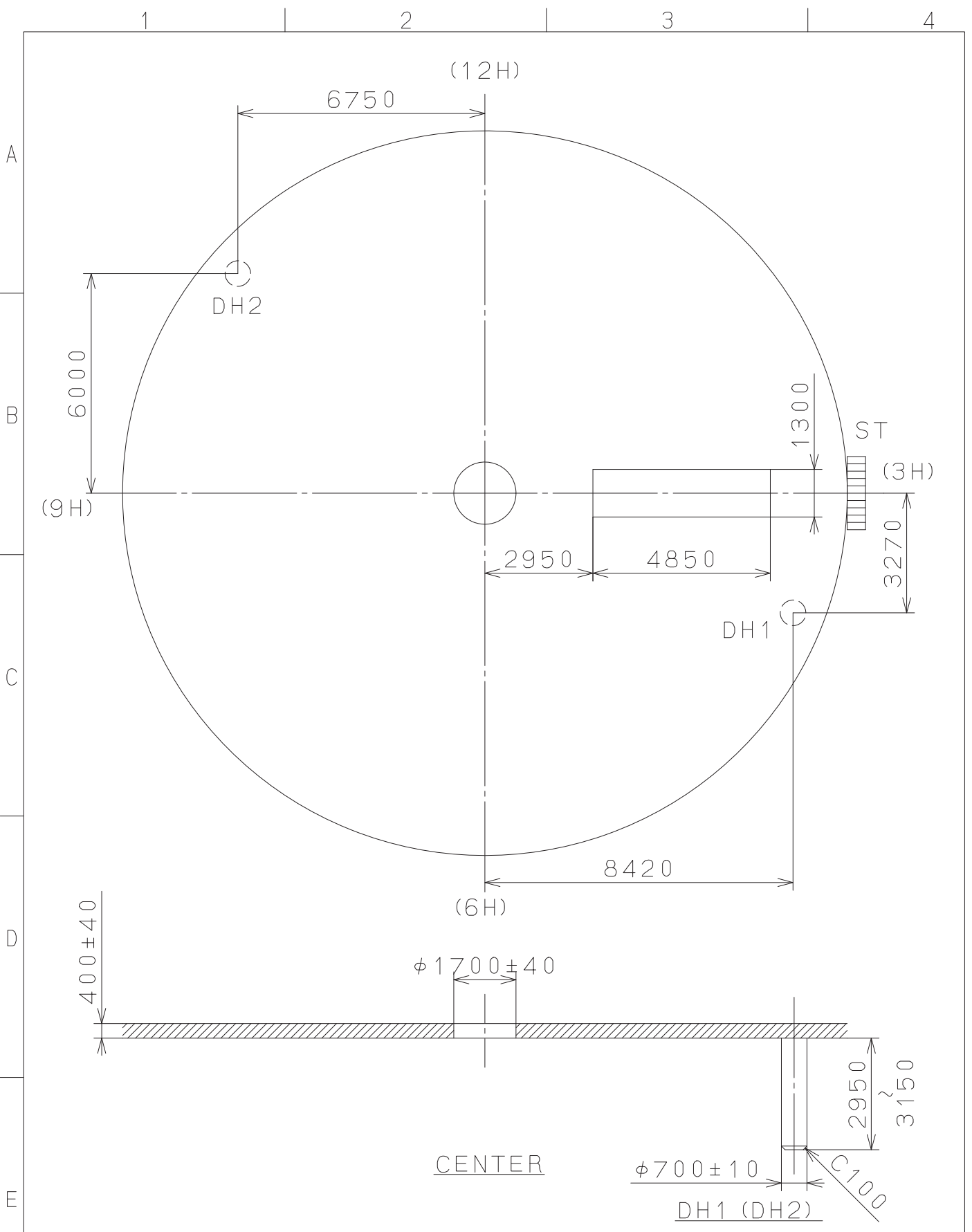
Mark	X	Y	R
GM	0	0	—
CS1	8680	-1502	—
CS2	-7739	-4205	—
W8	5000	8500	1200
W9	1700	-9800	1200
W10	-7700	-6300	1000



Material	Alterations	Quantity	Unit	Cal. NO.:
Heat Treatment		1	1/1000 mm	6T51
Hardness			Scale	7 : 1
Plating			Date	
			Drawn	
Mark	Date	Description	Appr.	Checked
			M. Kobayashi	
			Approved	
			Name:	
			Frame for Case	
			Drawing No.:	6T51C002
MIYOTA				
CITIZEN WATCH CO., LTD. TOKYO, JAPAN				

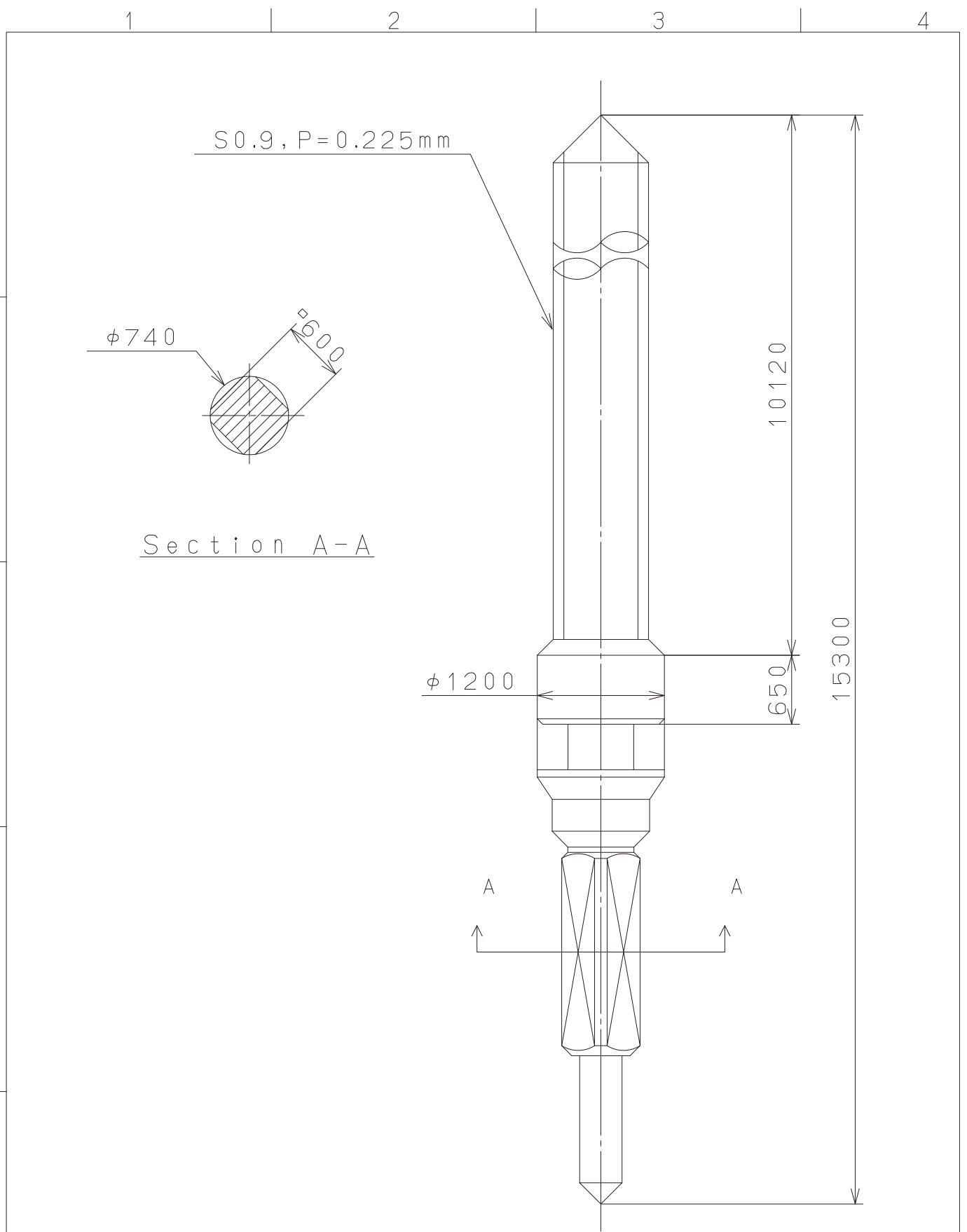
2008/09/02 (17:51:56)

This drawing is provisional and subject to our reconfirmation and/or revision without notice.

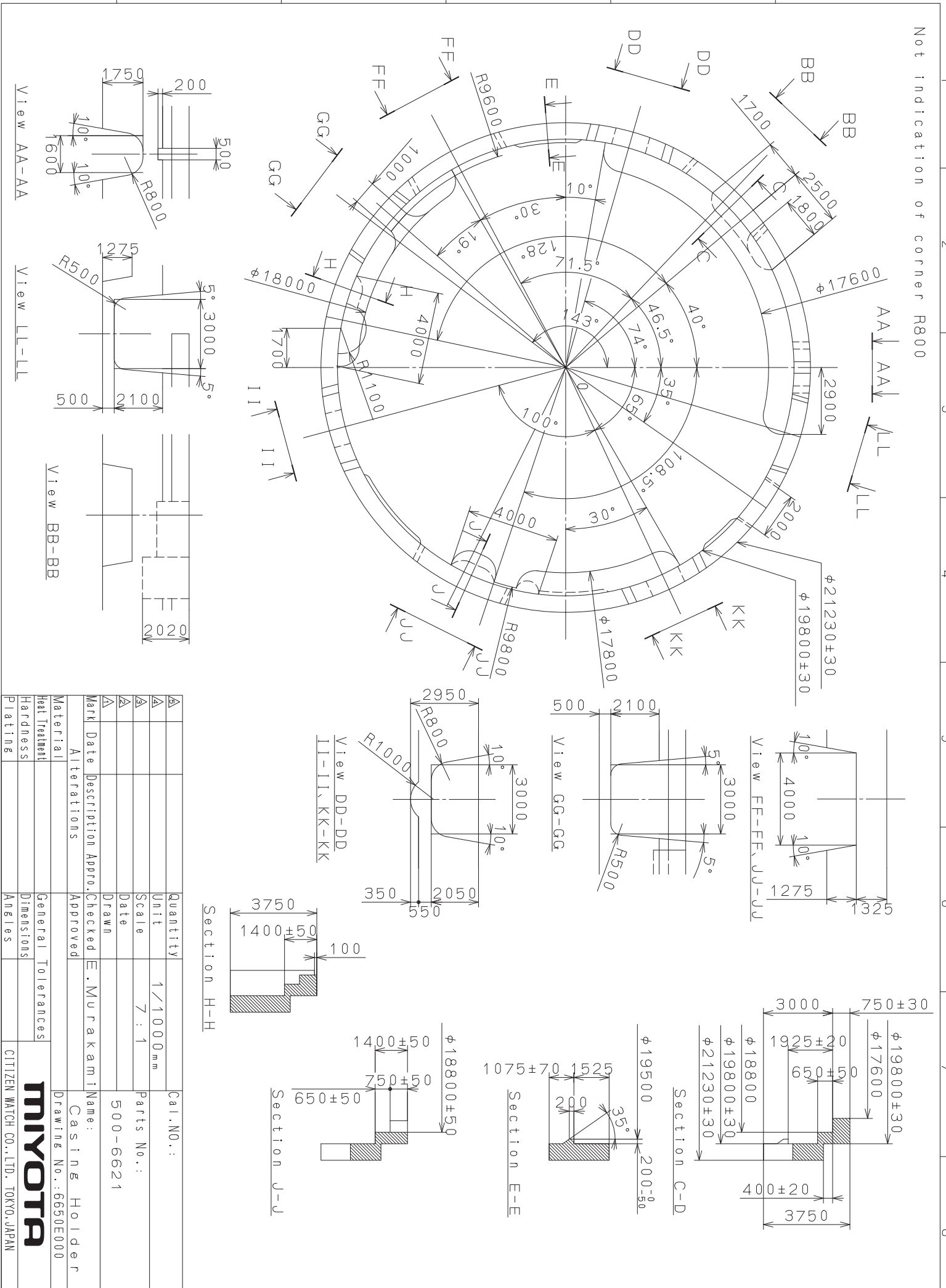


△5			Quantity		Cal. NO.:	6T51-21C
△4			Unit	1 / 1000 mm	Parts No.:	
△3			Scale	7 : 1	Name:	
△2			Date		Indications for Dial	
△1			Drawn		Drawing No.:	6T51D001
Mark	Date	Description	Appr.	Checked	N. Suzuki	
Alterations			Approved			
Material						
Heat Treatment				General Tolerances		
Hardness				Dimensions		
Plating				Angles		
				MIYOTA		
				CITIZEN WATCH CO., LTD. TOKYO, JAPAN		

This drawing is provisional and subject to our reconfirmation and/or revision without notice.



⑤			Quantity		Cal.NO.:
④			Unit	1/1000mm	
③			Scale	20:1	Parts No.:
②			Date		065-117
①			Drawn		
Mark	Date	Description	Appro.	Checked	Name:
		Alterations		Approved	SETTING STEM
Material					Drawing No.: 1170S000
Heat Treatment			General	Tolerances	MIYOTA
Hardness			Dimensions		
Plating			Angles		
					CITIZEN WATCH CO., LTD. TOKYO, JAPAN



Quantity	Unit	Cal. NO.:
1	1/1000 mm	
Scale	7:1	Parts No.:
Date	Drawn	500-6621
Mark	Date	Checked
Date	Description	Appr.
Alterations	Approved	E. Murakami
Material	General Tolerances	Casing Holder
Heat Treatment	Dimensions	Drawing No.: 6650E000
Hardness	Angles	MIYOTA
Plating		CITIZEN WATCH CO., LTD. TOKYO, JAPAN