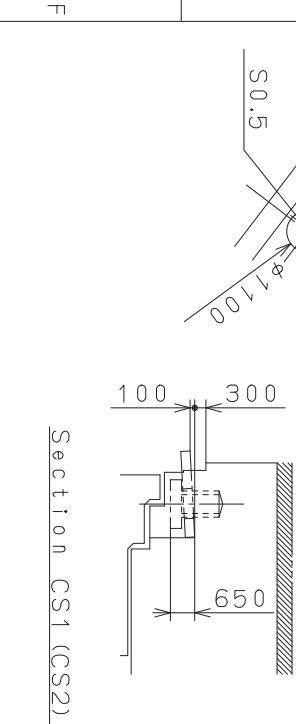
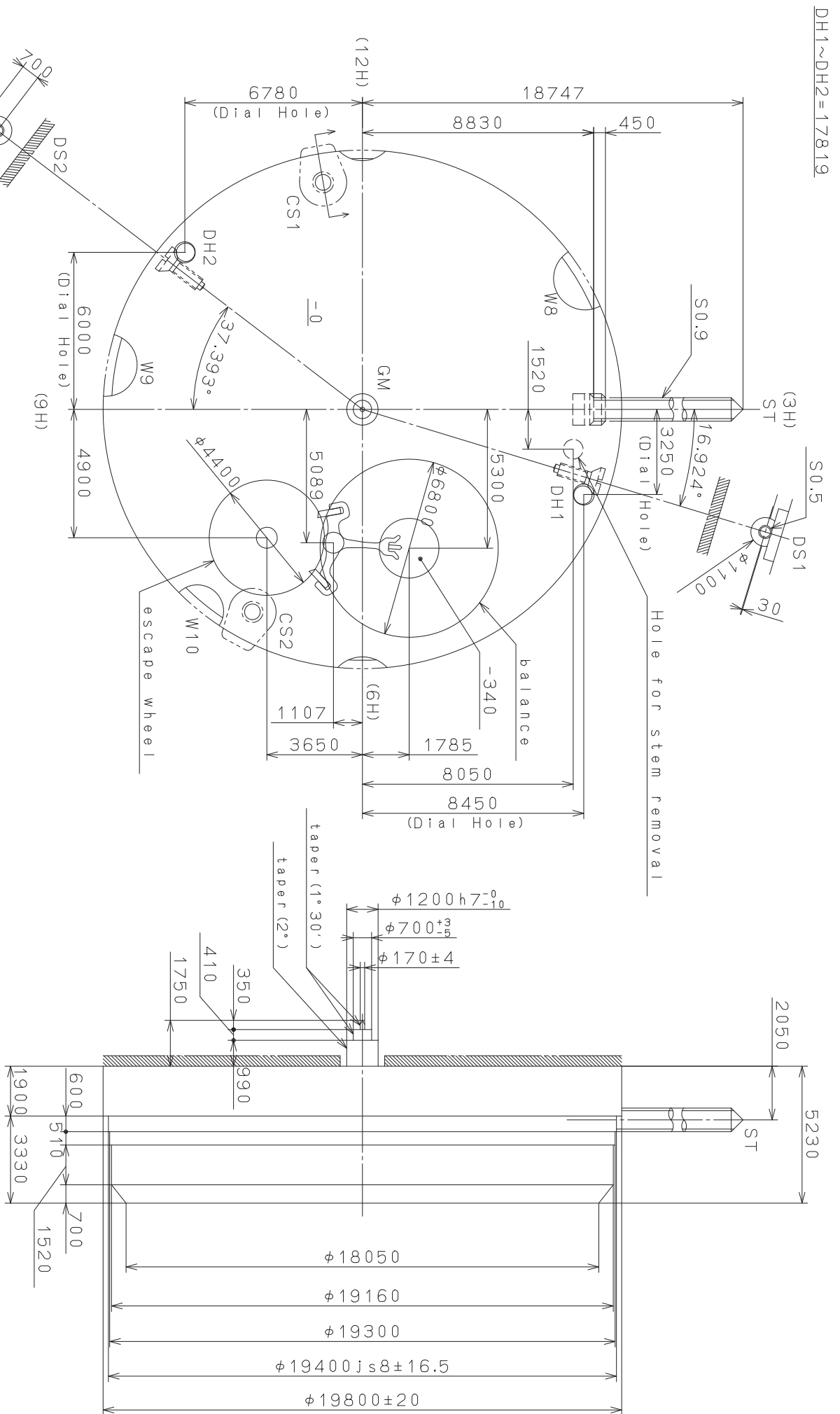


This drawing is provisional and subject to our reconfirmation and/or revision without notice.

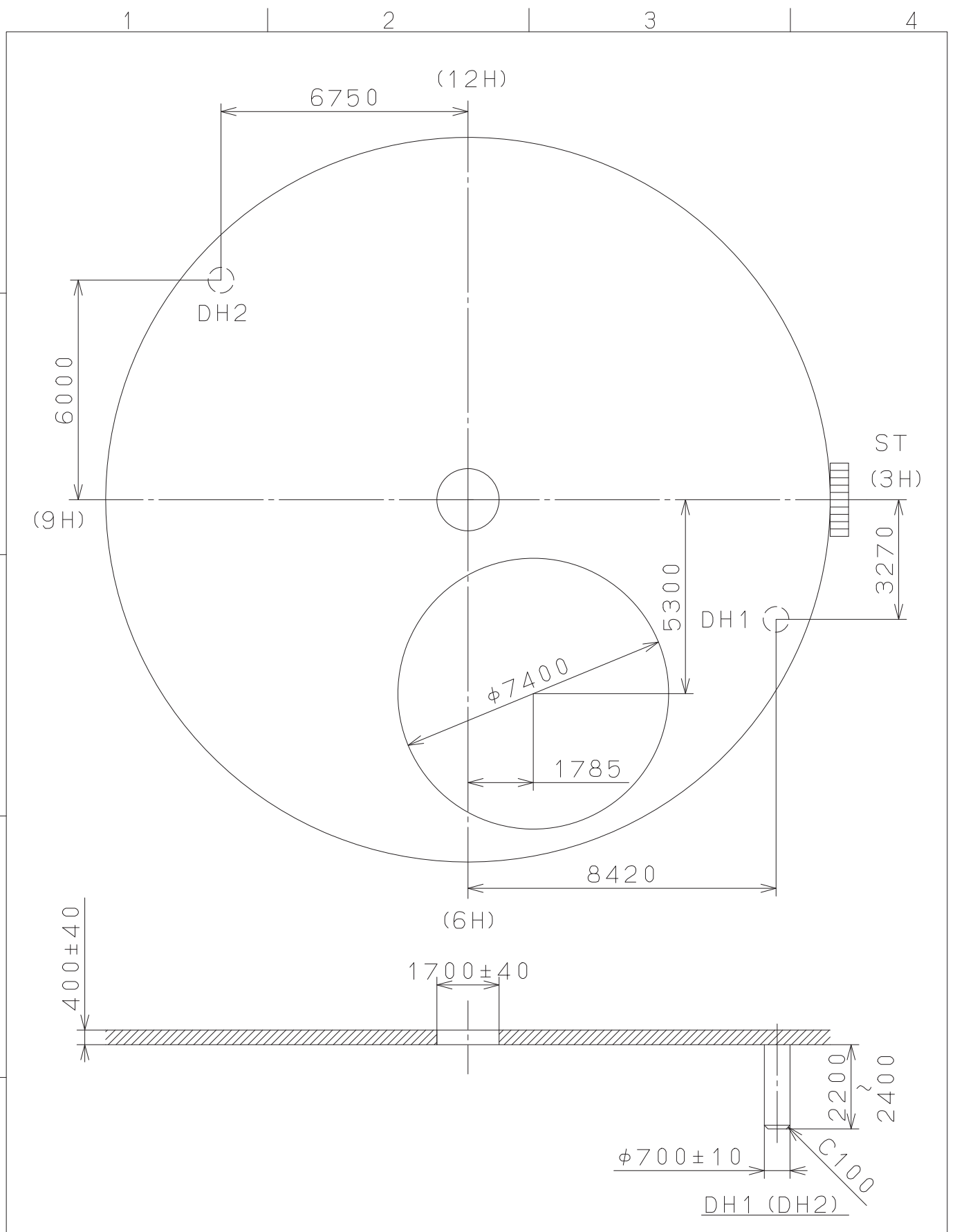


Coordinates

Mark	X	Y	R
GM	0	0	—
CS1	-8670	-1500	—
CS2	7730	-4200	—
W8	-5000	8500	1200
W9	-1700	-9800	1200
W10	7700	-6300	1000

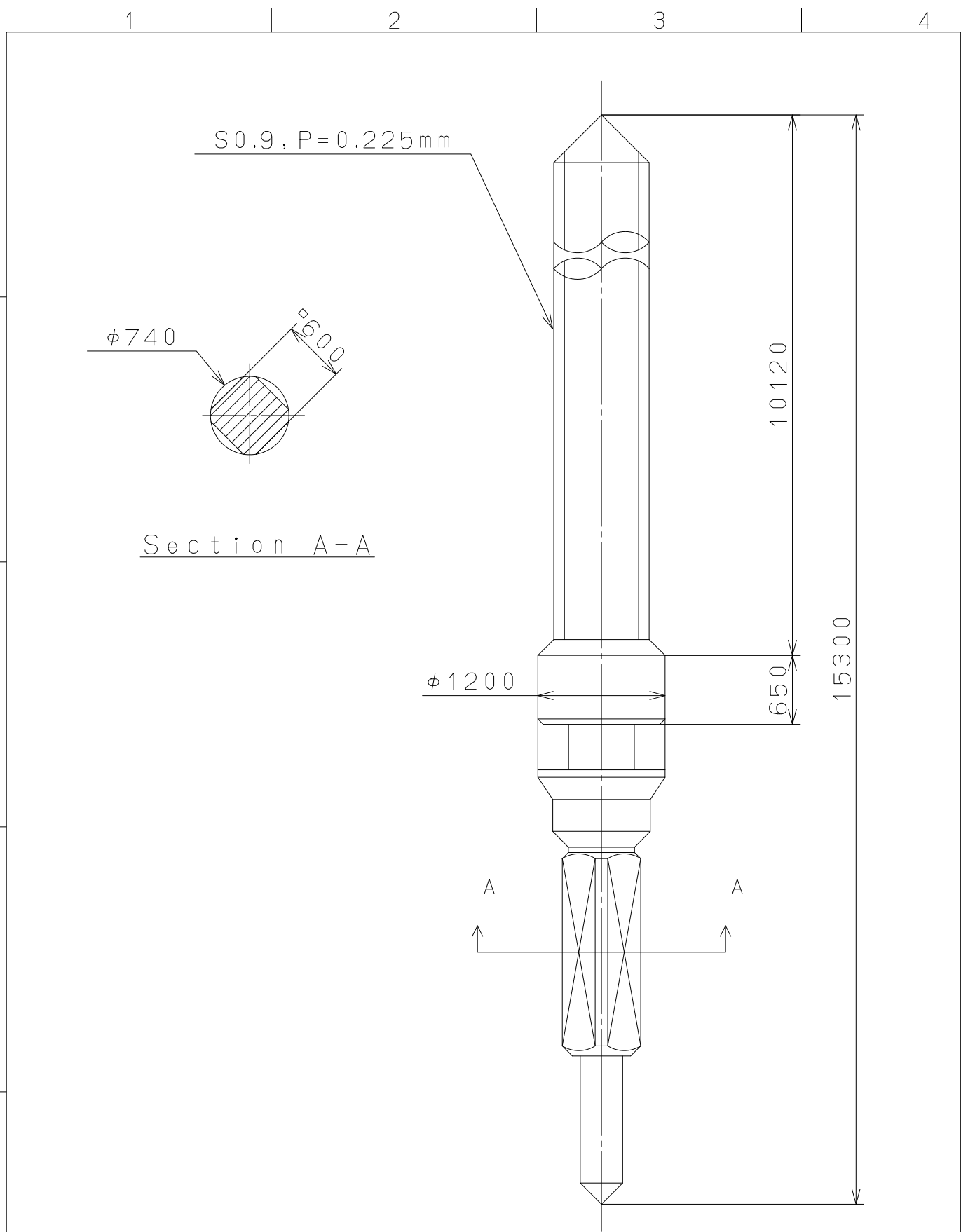
Material	Quantity	Unit	Cal. NO.:
Material	1	1/1000 mm	6T28
Heat Treatment		Scale	7 : 1
Hardness		Date	
Plating		Drawn	
		Checked	
		Approved	
Alterations			Name: M. Kobayashi
General Tolerances			Frame for Case
Dimensions			Drawing No.: 6T28C000
Angles			MIYOTA
			CITIZEN WATCH CO., LTD. TOKYO, JAPAN

This drawing is provisional and subject to our reconfirmation and/or revision without notice.



△5			Quantity		Cal. NO.:	6T28-21D
△4			Unit	1 / 1000 mm	Parts No.:	
△3			Scale	7 : 1		
△2			Date			
△1			Drawn			
Mark	Date	Description	Appr.	Checked	M. Kobayashi	Name:
Alterations			Approved			Indications for Dial
Material					Drawing No.: 6T28D010	
Heat Treatment					MIYOTA CITIZEN WATCH CO., LTD. TOKYO, JAPAN	
Hardness						
Plating						

This drawing is provisional and subject to our reconfirmation and/or revision without notice.



△5			Quantity		Cal.NO.:
△4			Unit	1/1000mm	
△3			Scale	20:1	Parts No.:
△2			Date		065-117
△1			Drawn		
Mark	Date	Description	Appro.	Checked	Name:
		Alterations	Approved	T.Hiruta	SETTING STEM
Material					Drawing No.:1170S000
Heat Treatment			General	Tolerances	MIYOTA
Hardness			Dimensions		
Plating			Angles		
					CITIZEN WATCH CO.,LTD. TOKYO,JAPAN