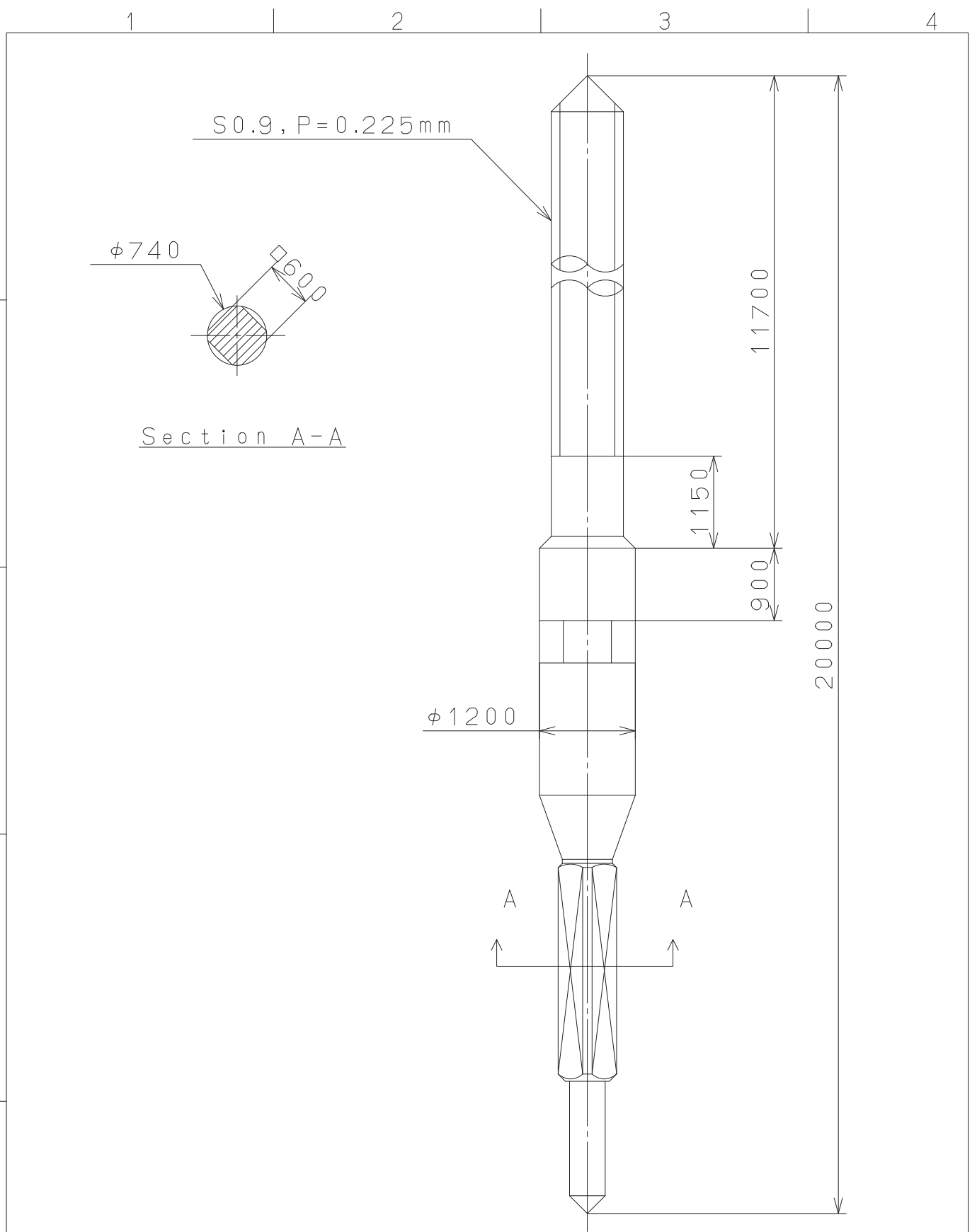
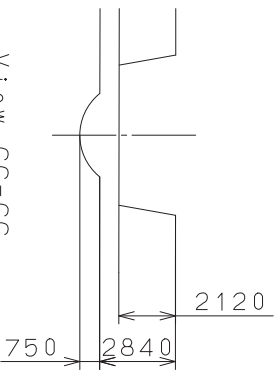
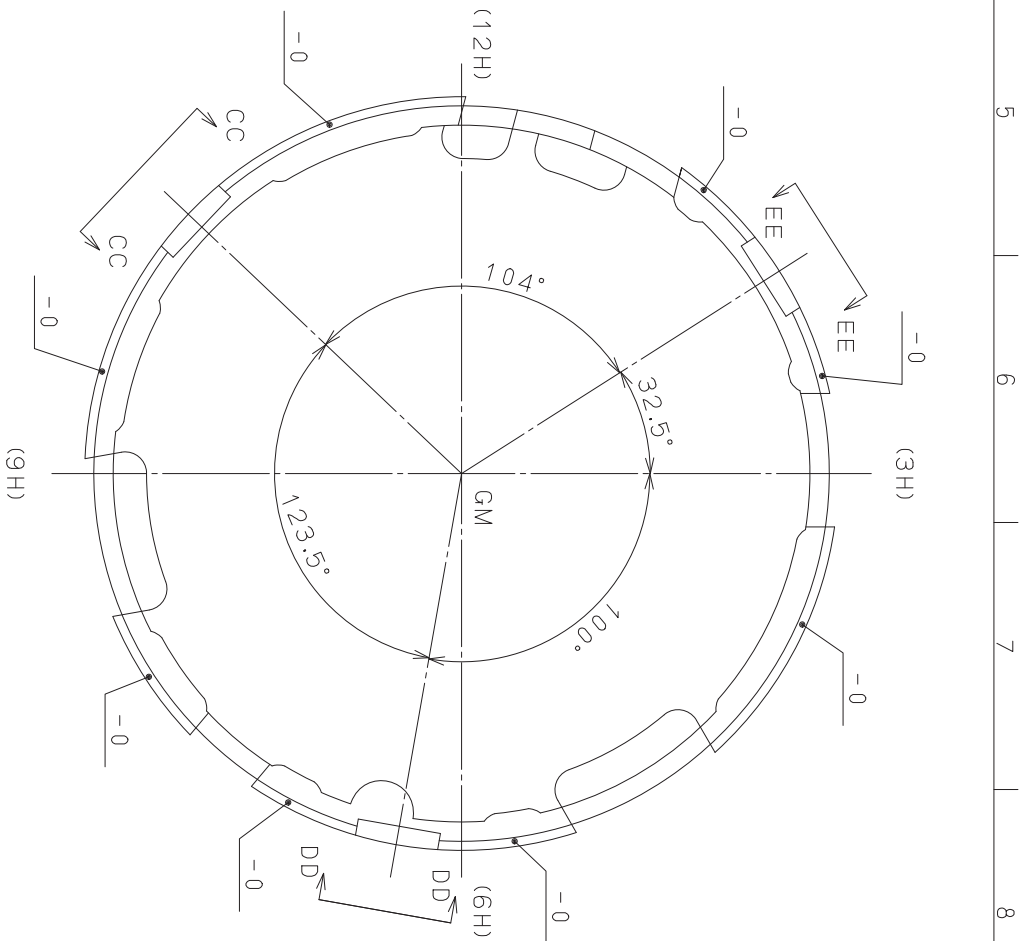
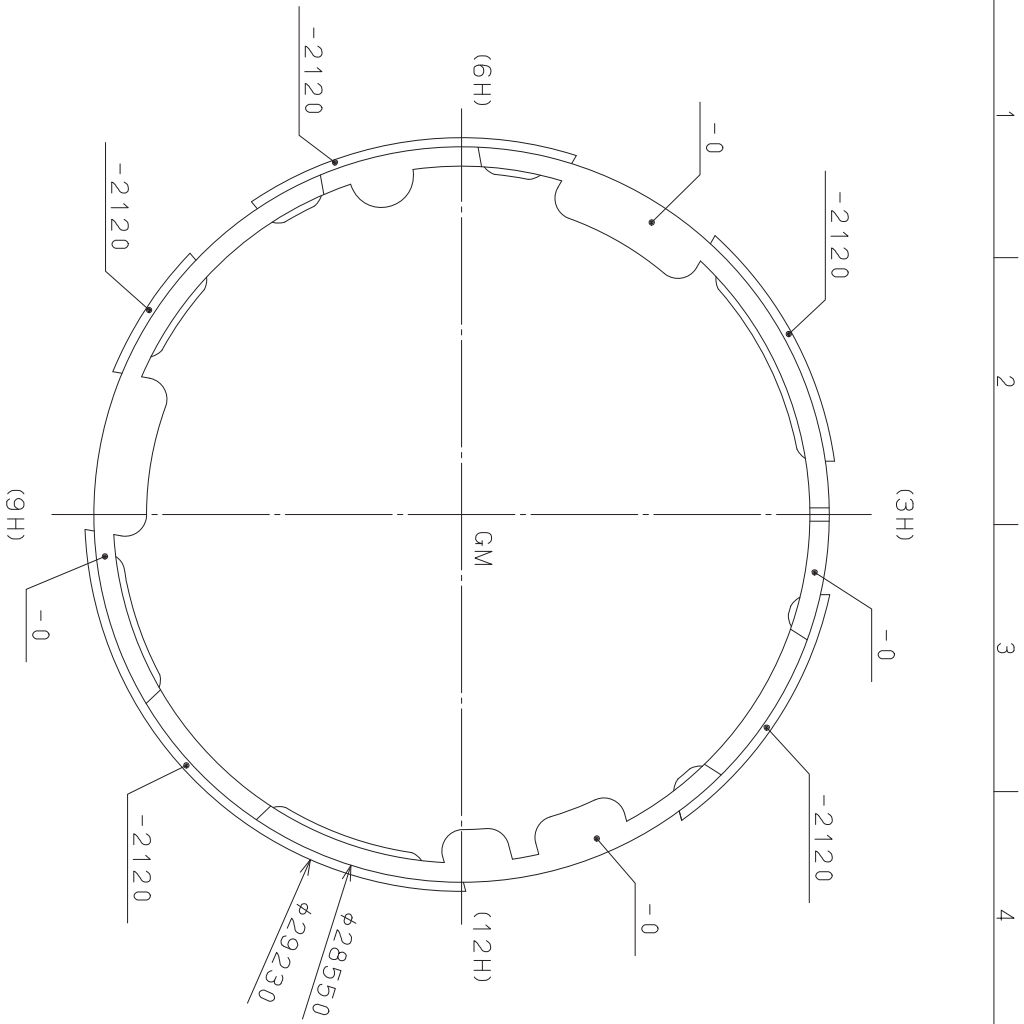


2008/11/14 (11:30:42)

This drawing is provisional and subject to our reconfirmation and/or revision without notice.



⑤			Quantity		Cal.NO.:
④			Unit	1/1000mm	
③			Scale	15:1	Parts No.:
②			Date		065-212
①			Drawn		
Mark	Date	Description	Appr.	Checked	Name:
		Alterations	Approved	N. Suzuki	SETTING STEM
Material					Drawing No.: 2120S001
Heat Treatment			General Tolerances	MIYOTA CITIZEN WATCH CO., LTD. TOKYO, JAPAN	
Hardness			Dimensions		
Plating			Angles		



View CC-CC
DD-DD, EE-EE

△	Quantity	Cal. No.:
△	Unit	1/1000 mm
△	Scale	5 : 1
△	Date	Parts No.:
△	Drawn	500-710
Mark	Date	Name:
	Description	Casing Holder
	Appr. Checked	N. Suzuki
Alterations	Approved	Drawing No.: 8200E002
Material	General Tolerances	MIYOTA
Heat Treatment	Dimensions	
Hardness	Angles	
Plating		
CITIZEN WATCH CO., LTD. TOKYO, JAPAN		