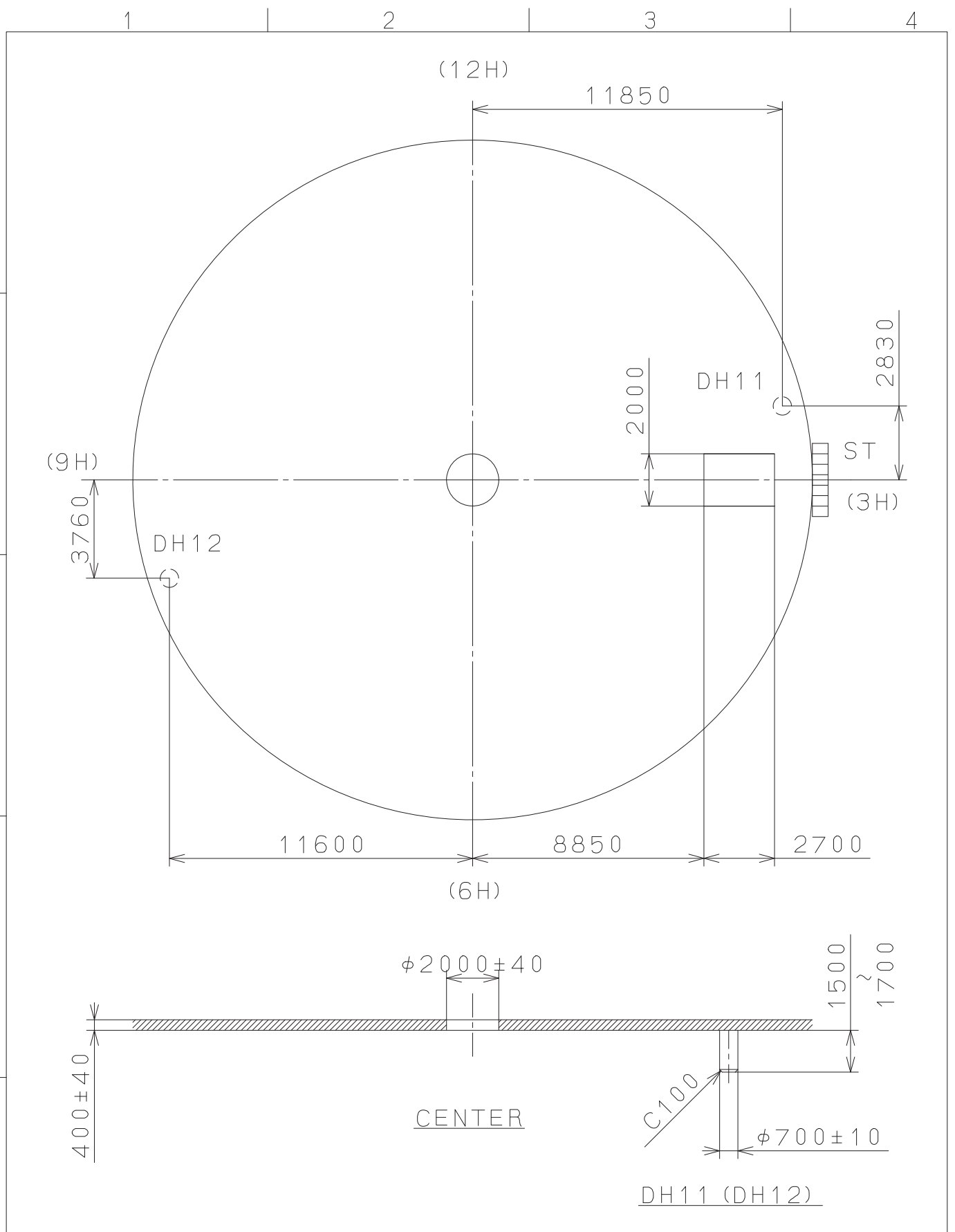


2009/03/25 (09:00:17)

This drawing is provisional and subject to our reconfirmation and/or revision without notice.



△5			Quantity		Cal.NO.:	9015-20G
△4			Unit	1 / 1000 mm	Parts No.:	
△3			Scale	5 : 1	Name:	Indications for Dial
△2			Date		Drawing No.:	
△1			Drawn		MIYOTA	
Mark	Date	Description	Appr.	Checked		
Alterations			Approved			
Material				General Tolerances		
Heat Treatment				Dimensions		
Hardness				Angles		
Plating						