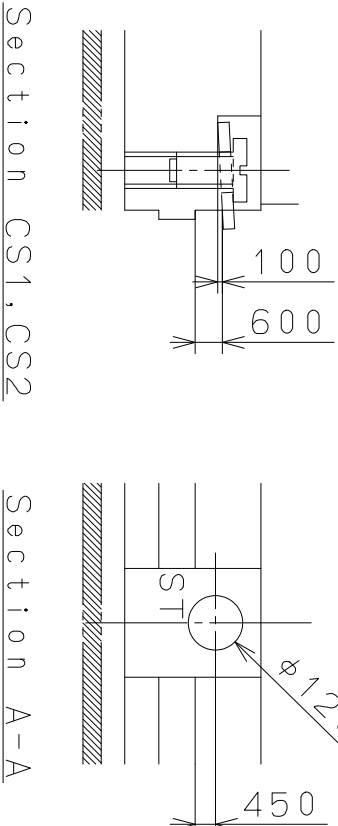
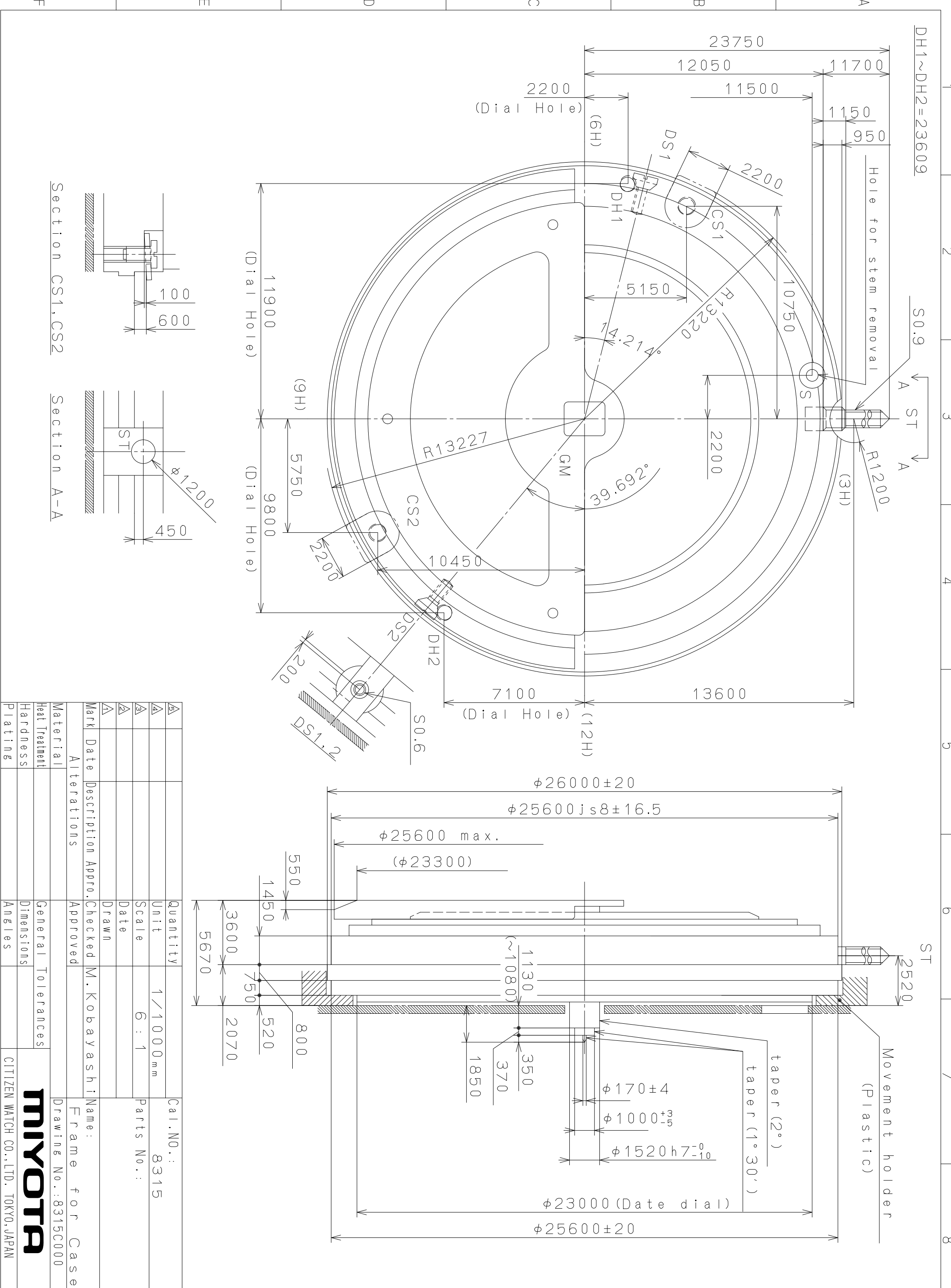
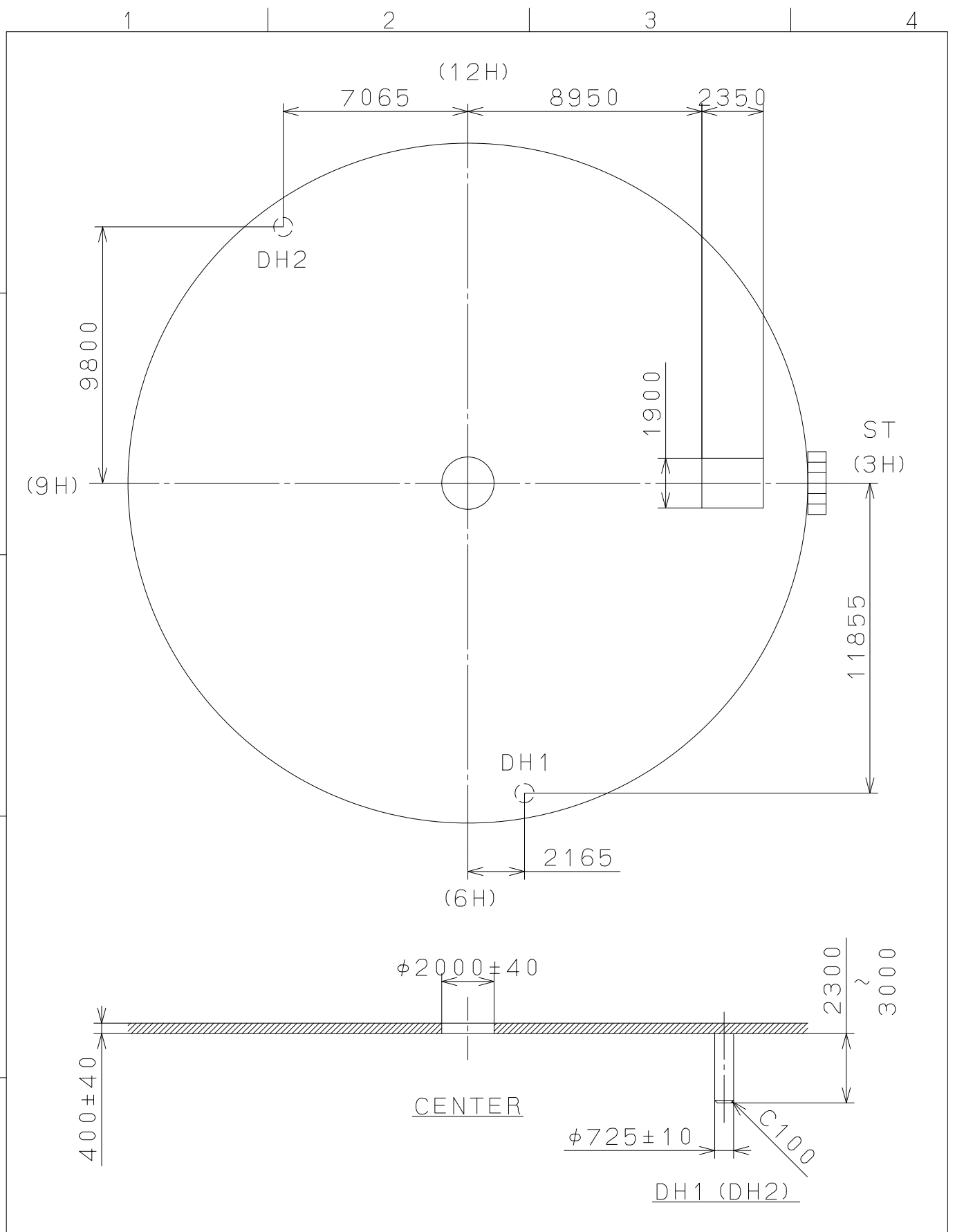


This drawing is provisional and subject to our reconfirmation and/or revision without notice.



Material	Alterations	Quantity	Cal. NO.:
Heat Treatment	Description	Unit	8315
Hardness	Apporo.	Scale	Parts No.:
Plating	Checked	Date	
	Drawn		
	Approved		
	M. Kobayashi		Name:
			Frame for Case
			Drawing No.: 8315C000
			MIYOTA
			CITIZEN WATCH CO., LTD. TOKYO, JAPAN

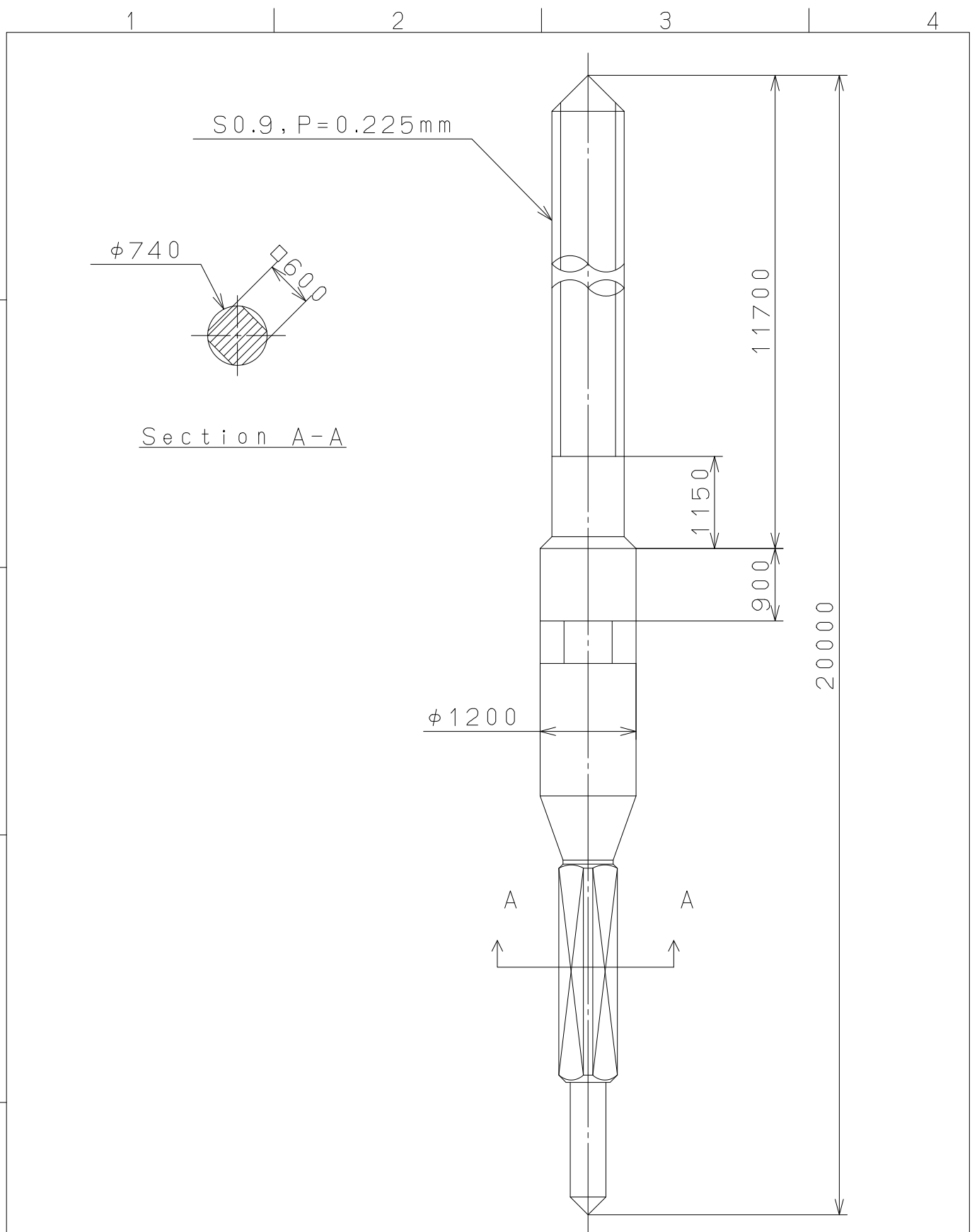
This drawing is provisional and subject to our reconfirmation and/or revision without notice.



△			Quantity		Cal.NO.:	
△			Unit	1/1000mm		8315-21A
△			Scale	5:1	Parts No.:	
△			Date			
△			Drawn			
Mark	Date	Description	Appr.	Checked	M. Kobayashi	Name:
Alterations			Approved			Indications for Dial
Material					Drawing No.:8315D001	
Heat Treatment					MIYOTA CITIZEN WATCH CO.,LTD. TOKYO,JAPAN	
Hardness						
Plating						

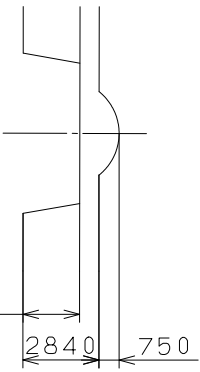
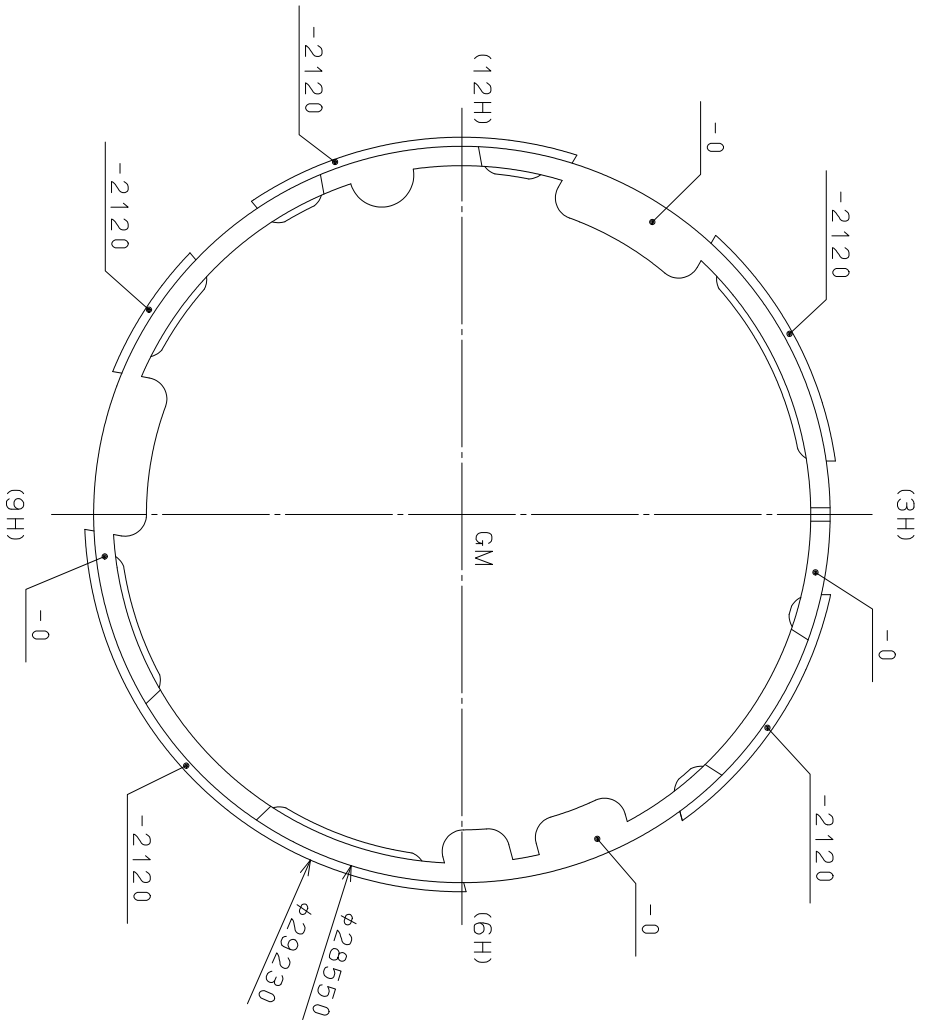
2008/11/14 (11:30:42)

This drawing is provisional and subject to our reconfirmation and/or revision without notice.

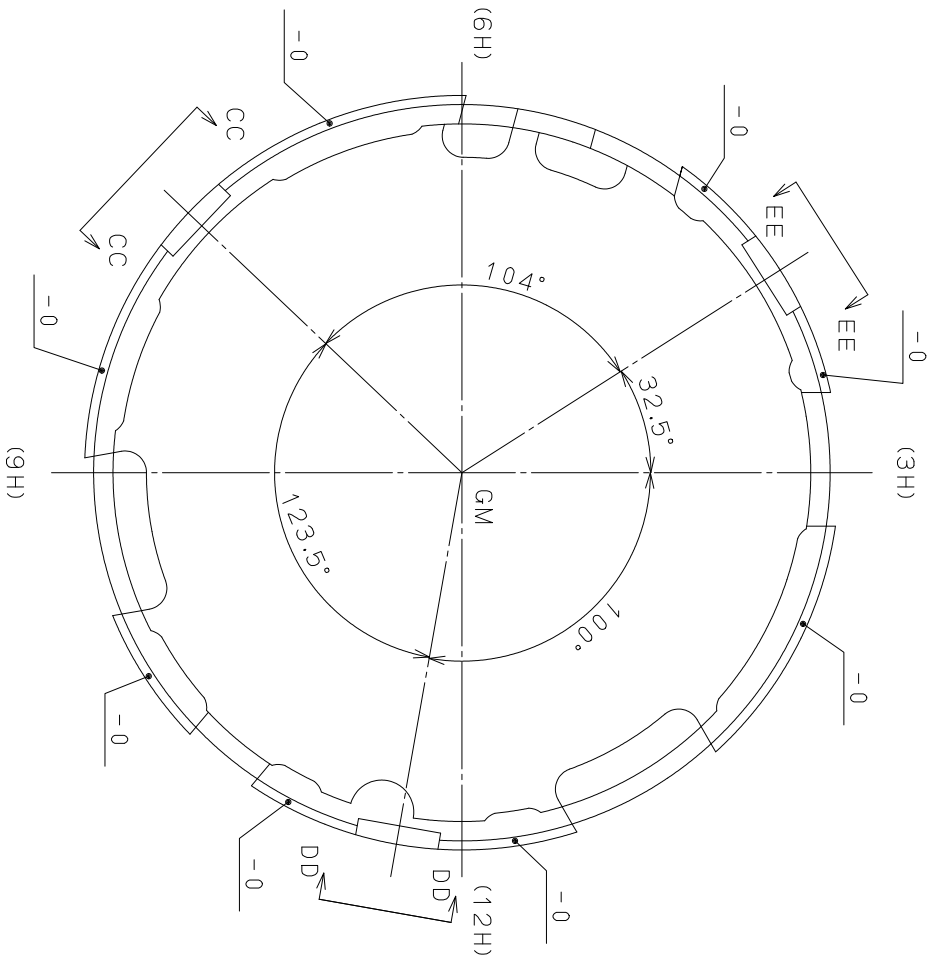


△5			Quantity		Cal.NO.:
△4			Unit	1/1000mm	
△3			Scale	15:1	Parts No.:
△2			Date		065-212
△1			Drawn		
Mark	Date	Description	Appr.	Checked	Name:
		Alterations	Approved	N. Suzuki	SETTING STEM
Material					Drawing No.: 2120S001
Heat Treatment			General Tolerances	MIYOTA CITIZEN WATCH CO., LTD. TOKYO, JAPAN	
Hardness			Dimensions		
Plating			Angles		

This drawing is provisional and subject to our reconfirmation and/or revision without notice.



View CC-CC
DD-DD, EE-EE



△	Quantity	1/1000 mm	Call. NO.:
△	Unit	5 : 1	Parts No.:
△	Scale	500-710	
△	Date		
△	Drawn		
Mark	Date	Checked	Name:
Alterations	Description	Approved	Casing Holder
Material			Drawing No.: 8200E003
Heat Treatment			
Hardness			
Plating			
	General Tolerances		
	Dimensions		
	Angles		

MIYOTA

CITIZEN WATCH CO., LTD. TOKYO, JAPAN