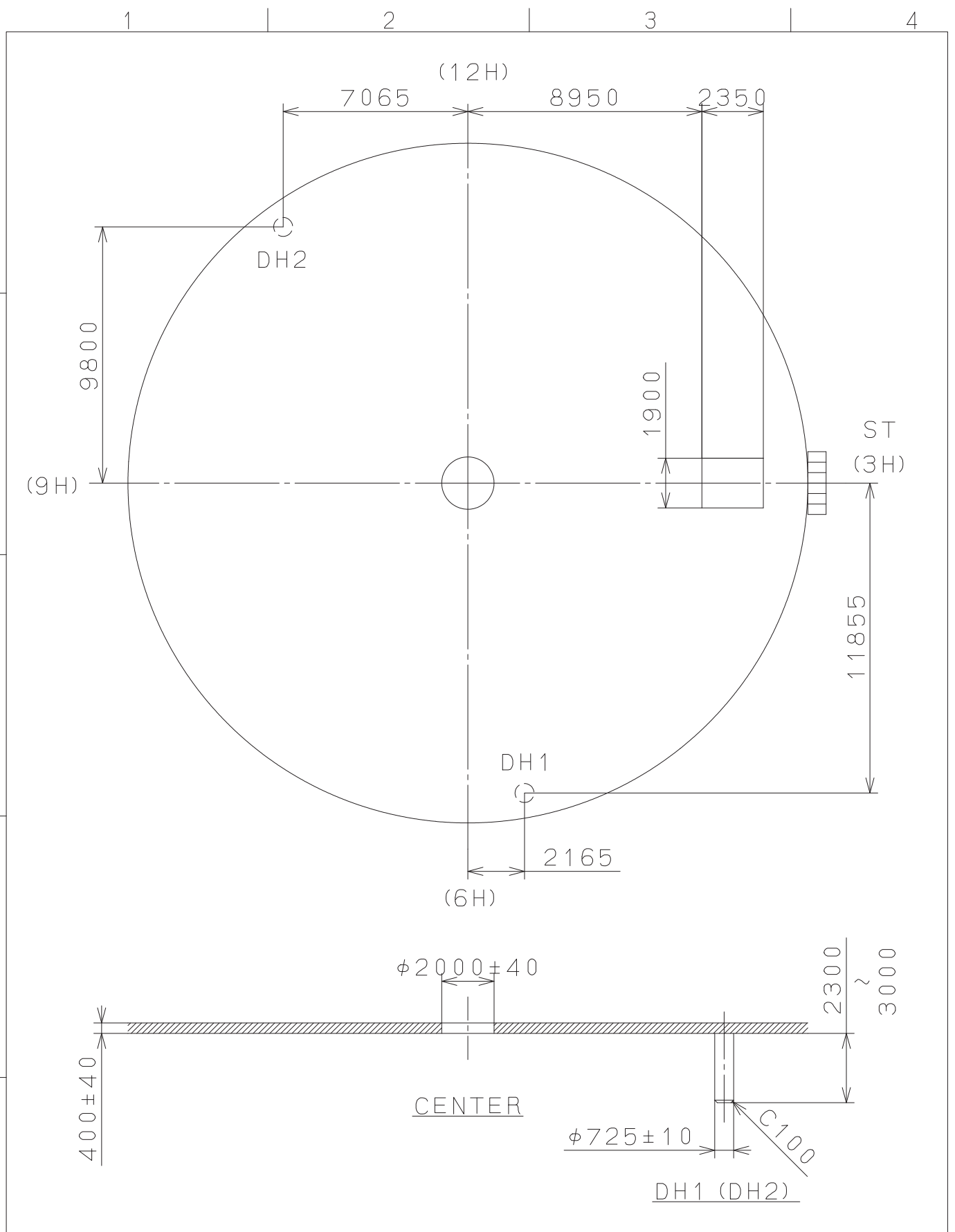


This drawing is provisional and subject to our reconfirmation and/or revision without notice.



△5			Quantity		Cal. NO.:
△4			Unit	1 / 1000 mm	8315-21A
△3			Scale	5 : 1	Parts No.:
△2			Date		
△1			Drawn		
Mark	Date	Description	Appr.	Checked	M. Kobayashi
Alterations			Approved	Name:	
Material					Indications for Dial
Heat Treatment					Drawing No.: 8315D001
Hardness	General Tolerances				MIYOTA
Plating	Dimensions				
Angles				CITIZEN WATCH CO., LTD. TOKYO, JAPAN	