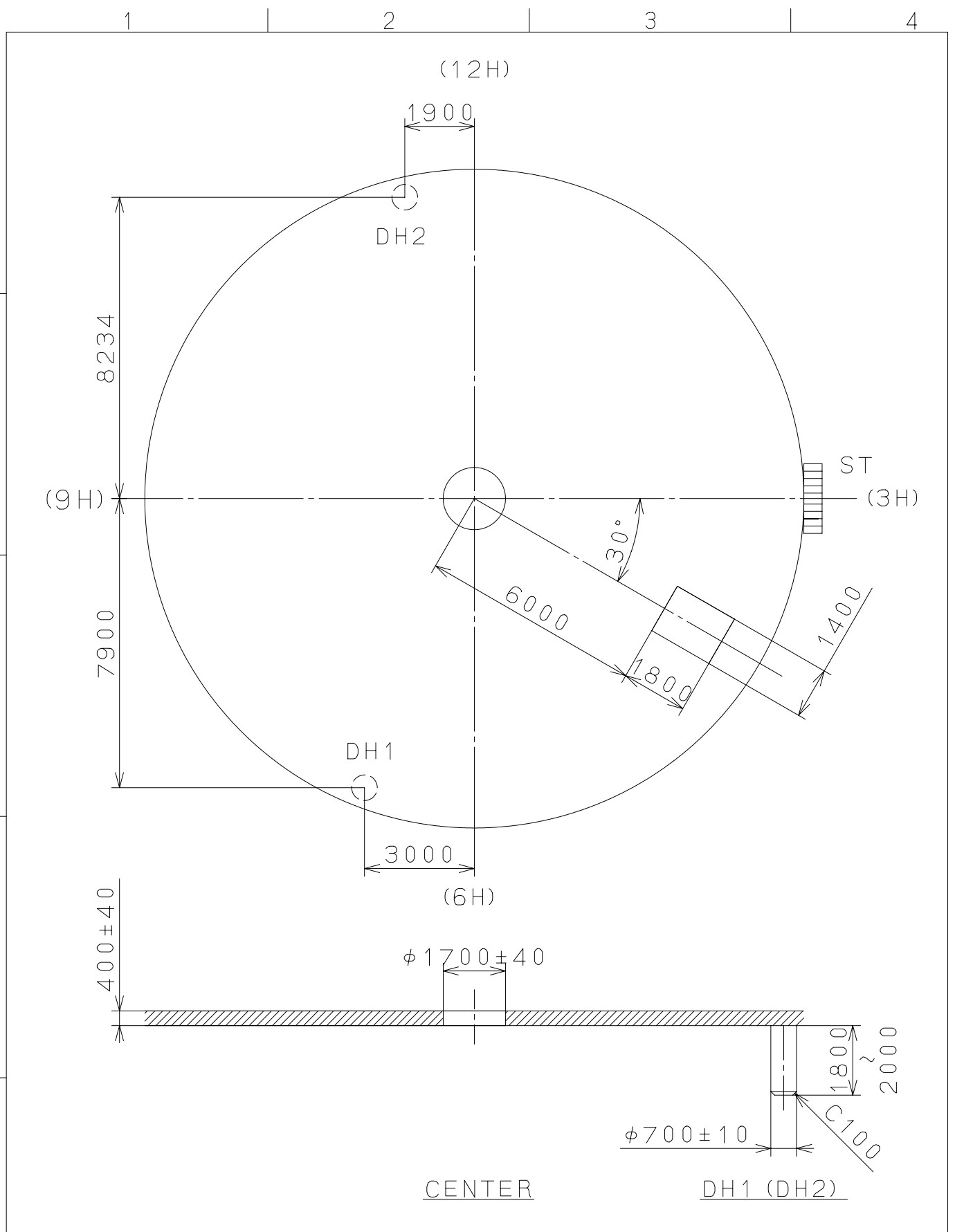


2005/08/23 (09:07:36)

This drawing is provisional and subject to our reconfirmation and/or revision without notice.



△			Quantity			Cal. NO. GL12-1XR
△			Unit	1 / 1000 mm		
△			Scale	7 / 1		Parts No.:
△				Date	Name	
△			Drawn			
Mark	Date	Description	Appr.	Checked	M. Fukuda	Name:
Alterations			Approved			Indications for Dial
Material						Drawing No.: GL10D020
Heat Treatment						MIYOTA CITIZEN WATCH CO., LTD.
Hardness	General Tolerances					
Plating	Dimensions					
	Angles					