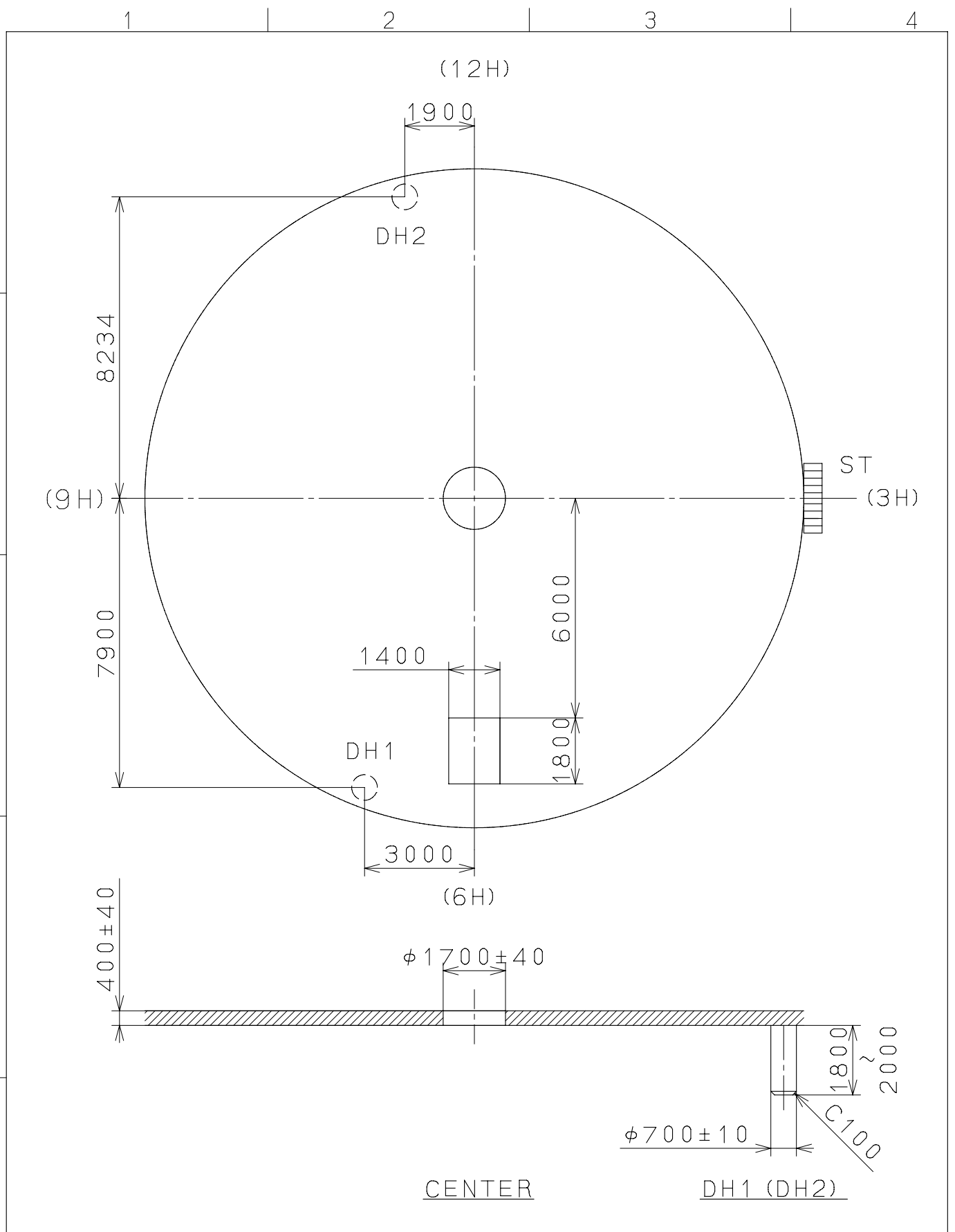


2008/02/04 (15:43:24)

This drawing is provisional and subject to our reconfirmation and/or revision without notice.



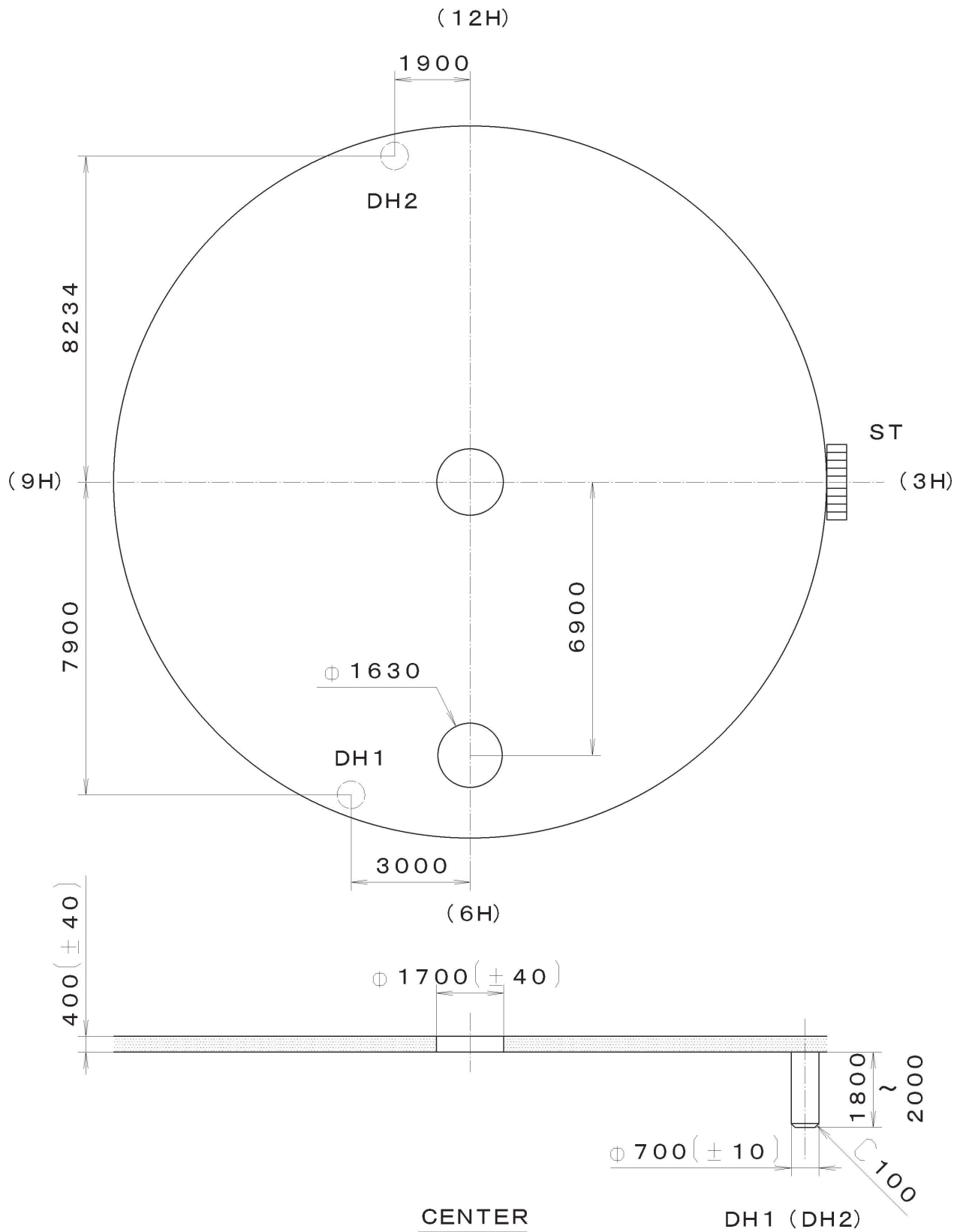
△			Quantity		Cal. NO. GL14-10Z
△			Unit	1 / 1000 mm	
△			Scale	7 : 1	Parts No.:
△			Date		
△			Drawn		
Mark	Date	Description	Appr.	Checked	N. Suzuki
Alterations			Approved	Name:	
Material					Indications for Dial
Heat Treatment					Drawing No.: GL10D040
Hardness					MIYOTA
Plating					
			General Tolerances	CITIZEN WATCH CO., LTD. TOKYO, JAPAN	
			Dimensions		
			Angles		

This drawing is provisional and subject to our reconfirmation and/or revision without notice.

 T I P W

 GL10-00Z (0.1)

 (2100 1121)
)
 04-03-08



△		Quantity		Cal. No.	GL14-10Z
△		Unit	1/1000 mm	Parts:	
△		Scale	7:1	Name:	Indications for Dial
△		Date		Drawing No. : GL10D010	
△		Drawn		MIYOTA CITIZEN WATCH CO., LTD.	
△		Checked	M. Fukuda		
△		Approved			
△		Material			
		Heat Treatment	General Tolerances		
		Hardness	Dimensions		
		Plating	Angles		