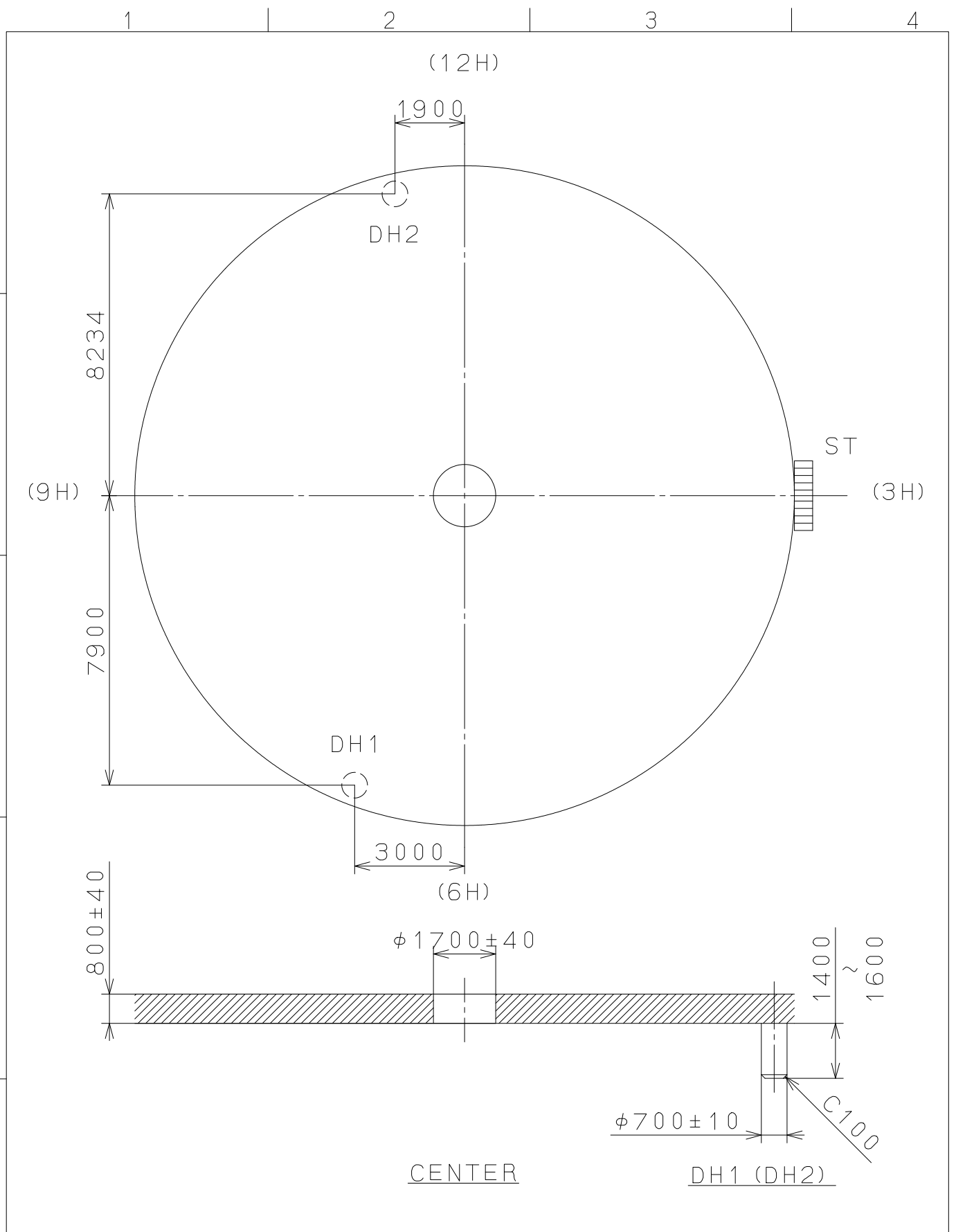


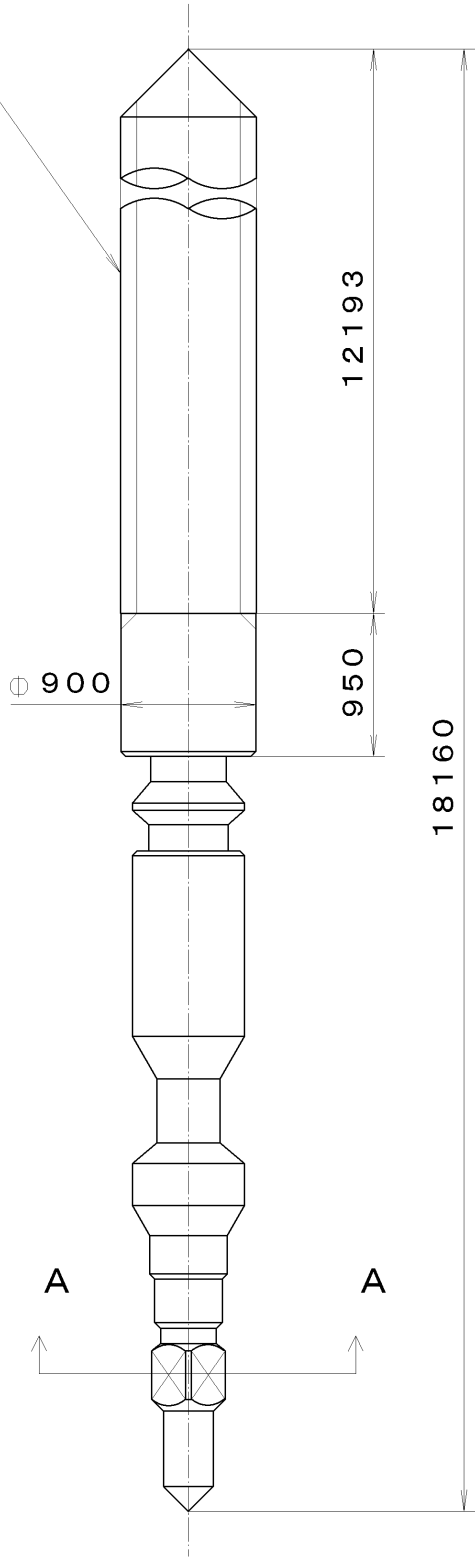
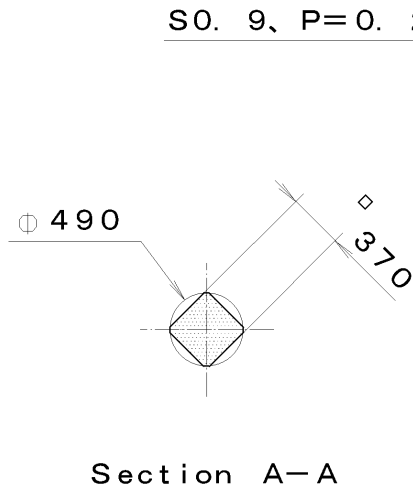
This drawing is provisional and subject to our reconfirmation and/or revision without notice.



△5			Quantity		Cal. NO.:	GL24-10A
△4			Unit	1 / 1000 mm		
△3			Scale	7 : 1	Parts No.:	
△2			Date			
△1			Drawn			
Mark	Date	Description	Appr.	Checked	N. Suzuki	Name:
Alterations			Approved			Indications for Dial
Material					Drawing No.:	GL26D0AS
Heat Treatment					General Tolerances	MIYOTA
Hardness					Dimensions	
Plating					Angles	
						CITIZEN WATCH CO., LTD. TOKYO, JAPAN

This drawing is provisional and subject to our reconfirmation and/or revision without notice.

*** T I P W 065-541 (01) *** (2100 1121) 02-07-12



7				Quantity		Cal. No. :	
6				Unit	1/1000 mm	Parts: 065-541	
5				Scale	20:1		
4				Date			
3				Drawn		Name: SETTING STEM	
2				Checked	T. Hiruta		
1				Approved			
Material						Drawing No. : 5410S000	
Heat Treatment				General Tolerances		<div style="font-size: 2em; font-weight: bold; margin-bottom: 5px;">CITIZEN</div> WATCH CO., LTD. TOKYO, JAPAN	
Hardness				Dimensions			
Plating				Angles			