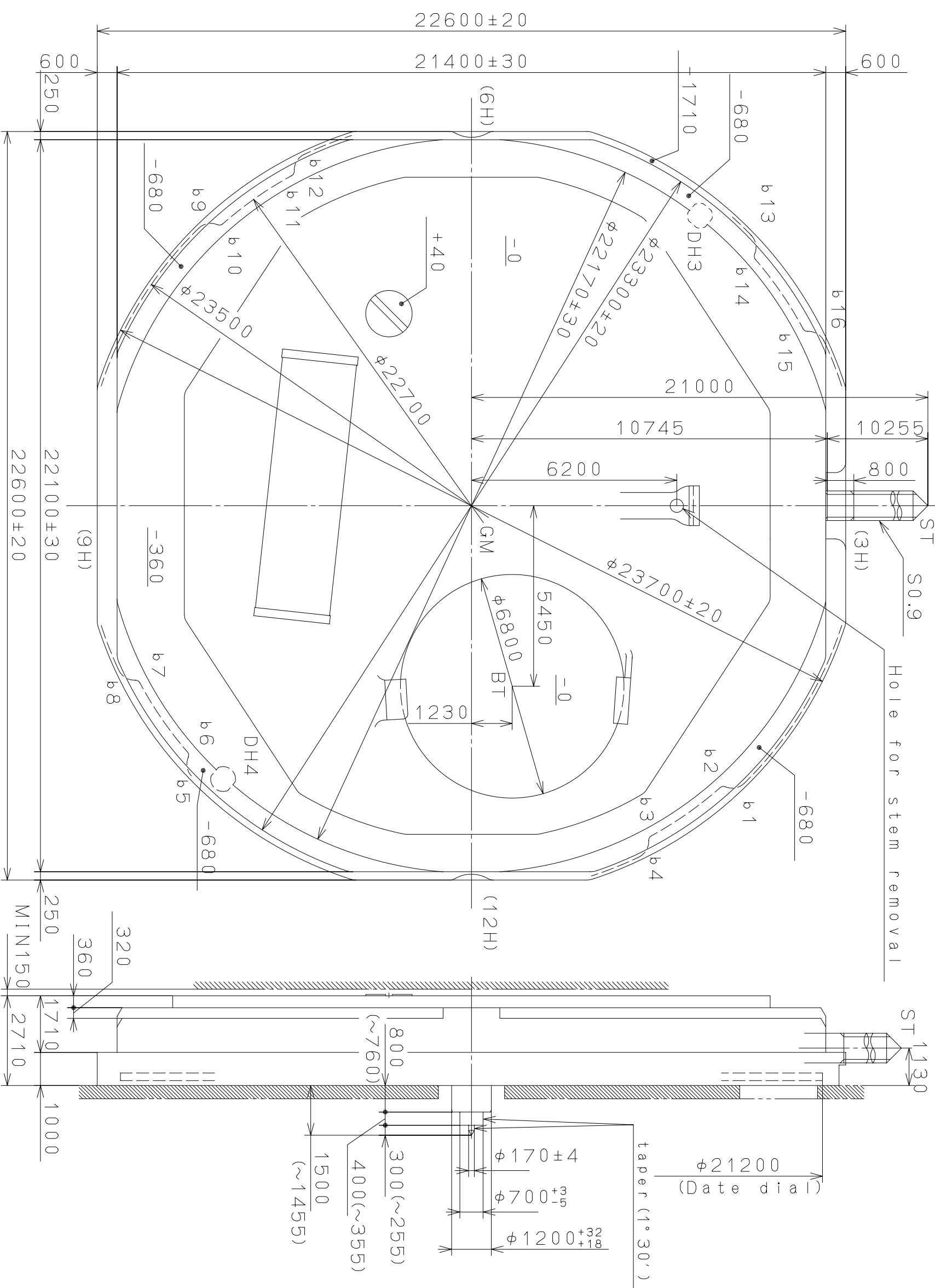
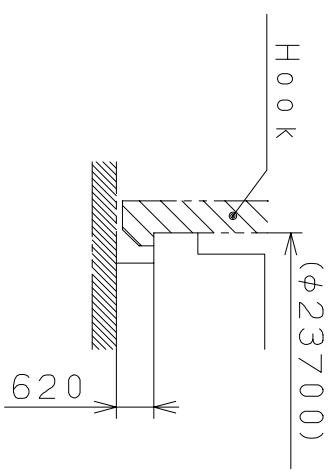


This drawing is provisional and subject to our reconfirmation and/or revision without notice.

DH3~DH4=222287 (±20)

Coordinates			
記号	X	Y	R
GM	0	0	—
DH3	-8759	6900	—
DH4	8251	-7500	—
b1	7996	7871	530
b2	8624	7608	150
b3	10099	5501	150
b4	10131	4822	530
b5	7803	-8063	530
b6	7535	-8688	150
b7	5416	-10145	150
b8	4736	-10171	530
b9	-7996	-7871	530
b10	-8624	-7608	150
b11	-10099	-5501	150
b12	-10131	-4822	530
b13	-7803	8063	530
b14	-7535	8688	150
b15	-5416	10145	150
b16	-4736	10171	530

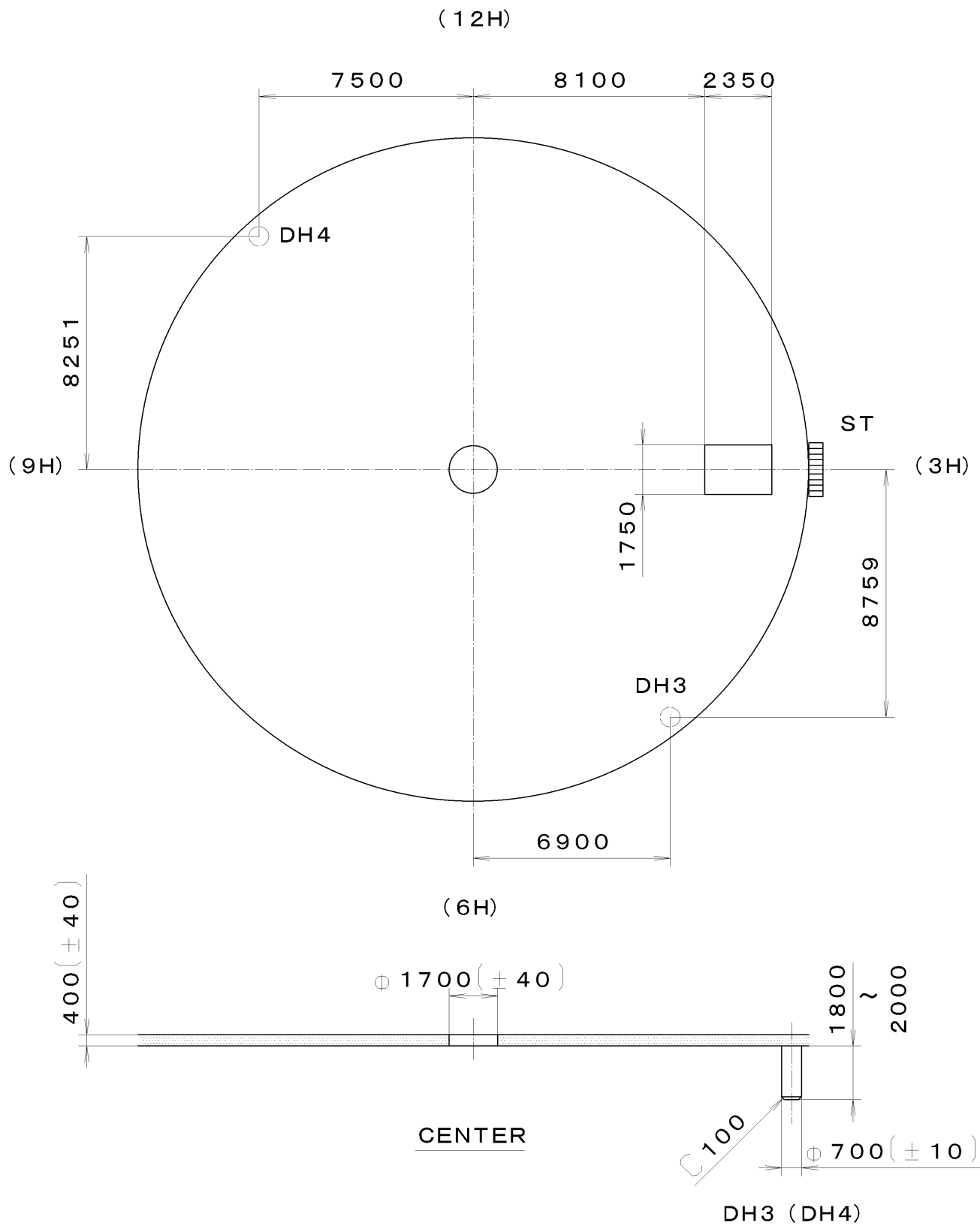


Section b1~b16

△	Quantity	1/1000 mm	Cal. NO.: GM12
△	Unit	8/1	Parts No.:
△	Scale	Date	Name
△	Drawn	M. Fukuda	
△	Date	Appr.	Checked
△	Description	Appr.	Checked
△	Alterations	Frame for Case	
△	Material	Drawing No.: GM10C001	
△	Heat Treatment	General Tolerances	
△	Hardness	Dimensions	
△	Plating	Angles	

This drawing is provisional and subject to our reconfirmation and/or revision without notice.

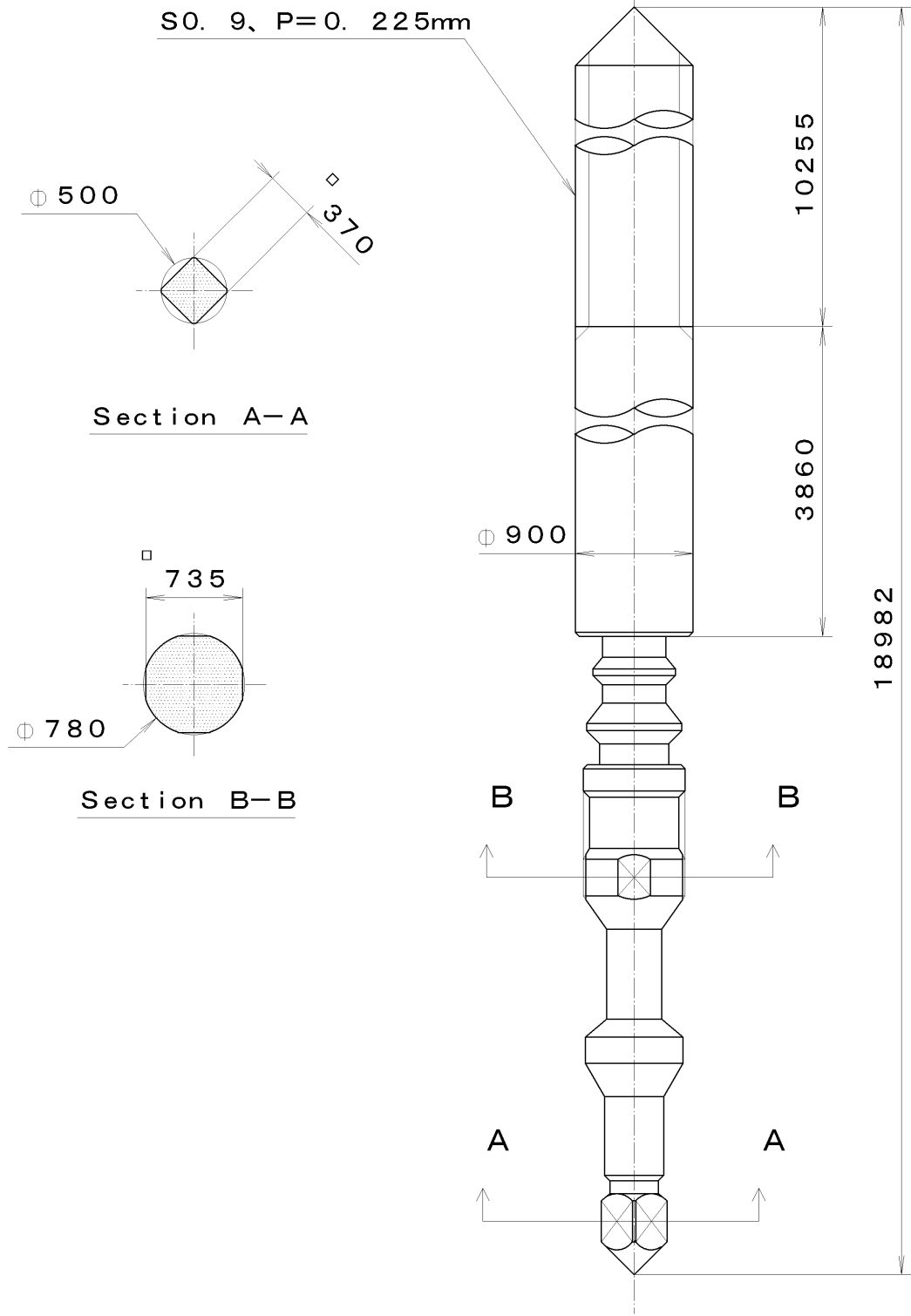
*** T I P W GM10-00A (01) *** (2100 1121) 03-06-02



7			Quantity		Cal. No. : GM12-10A
6			Unit	1/1000 mm	
5			Scale	5:1	Parts:
4			Date		
3			Drawn		
2			Checked	M. Fukuda	Name : Indiations for Dial
1			Approved		Drawing No. : GM10D000
Material					
Heat Treatment		General Tolerances			
Hardness		Dimensions			
Plating		Angles			

This drawing is provisional and subject to our reconfirmation and/or revision without notice.

*** T I P W 065-543 (01) *** (2100 1121) 03-05-07



7			Quantity		Cal. No. :
6			Unit	1/1000 mm	
5			Scale	20:1	Parts:
4			Date		065-543
3			Drawn		
2			Checked	T. Hiruta	Name:
1			Approved		SETTING STEM
Material					Drawing No. : 5430S001
Heat Treatment			General Tolerances		CITIZEN WATCH CO., LTD. TOKYO, JAPAN
Hardness			Dimensions		
Plating			Angles		