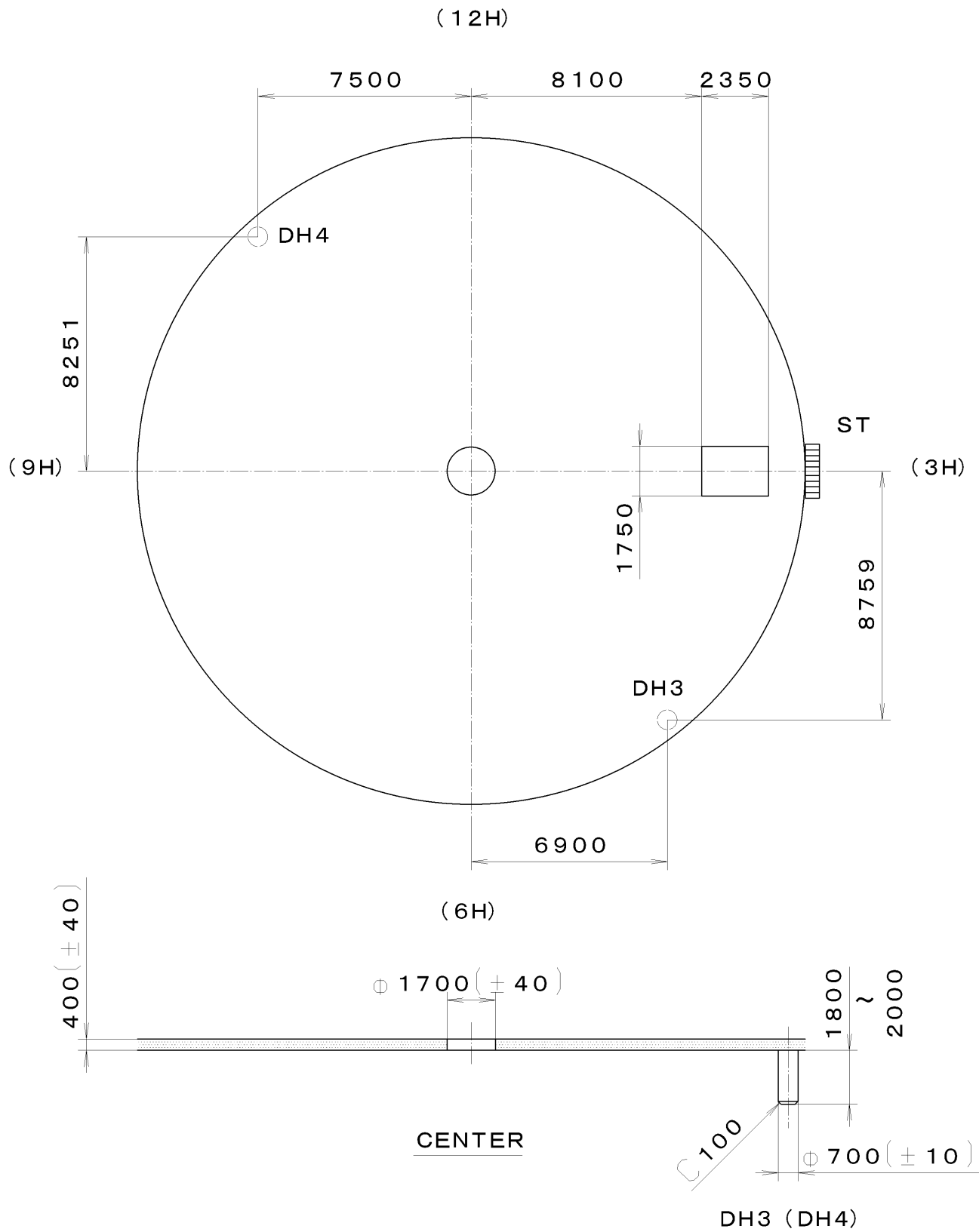


This drawing is provisional and subject to our reconfirmation and/or revision without notice.

*** T I P W GM10-00A (01) *** (2100 1121) 03-06-02



<table border="1"> <tr><td>7</td><td></td></tr> <tr><td>6</td><td></td></tr> <tr><td>5</td><td></td></tr> <tr><td>4</td><td></td></tr> <tr><td>3</td><td></td></tr> <tr><td>2</td><td></td></tr> <tr><td>1</td><td></td></tr> </table>		7		6		5		4		3		2		1		<table border="1"> <tr><td>Quantity</td><td></td></tr> <tr><td>Unit</td><td>1/1000 mm</td></tr> <tr><td>Scale</td><td>5:1</td></tr> <tr><td>Date</td><td></td></tr> <tr><td>Drawn</td><td></td></tr> <tr><td>Checked</td><td>M. Fukuda</td></tr> <tr><td>Approved</td><td></td></tr> </table>		Quantity		Unit	1/1000 mm	Scale	5:1	Date		Drawn		Checked	M. Fukuda	Approved		<table border="1"> <tr><td>Cal. No.</td><td>GM12-10A / 10K</td></tr> <tr><td>Parts:</td><td></td></tr> <tr><td>Name:</td><td>Indiations for Dial</td></tr> <tr><td>Drawing No.:</td><td>GM10D000</td></tr> </table>		Cal. No.	GM12-10A / 10K	Parts:		Name:	Indiations for Dial	Drawing No.:	GM10D000
7																																									
6																																									
5																																									
4																																									
3																																									
2																																									
1																																									
Quantity																																									
Unit	1/1000 mm																																								
Scale	5:1																																								
Date																																									
Drawn																																									
Checked	M. Fukuda																																								
Approved																																									
Cal. No.	GM12-10A / 10K																																								
Parts:																																									
Name:	Indiations for Dial																																								
Drawing No.:	GM10D000																																								
<table border="1"> <tr><td>Material</td><td></td></tr> <tr><td>Heat Treatment</td><td></td></tr> <tr><td>Hardness</td><td></td></tr> <tr><td>Plating</td><td></td></tr> </table>		Material		Heat Treatment		Hardness		Plating		<table border="1"> <tr><td>General Tolerances</td><td></td></tr> <tr><td>Dimensions</td><td></td></tr> <tr><td>Angles</td><td></td></tr> </table>		General Tolerances		Dimensions		Angles																									
Material																																									
Heat Treatment																																									
Hardness																																									
Plating																																									
General Tolerances																																									
Dimensions																																									
Angles																																									