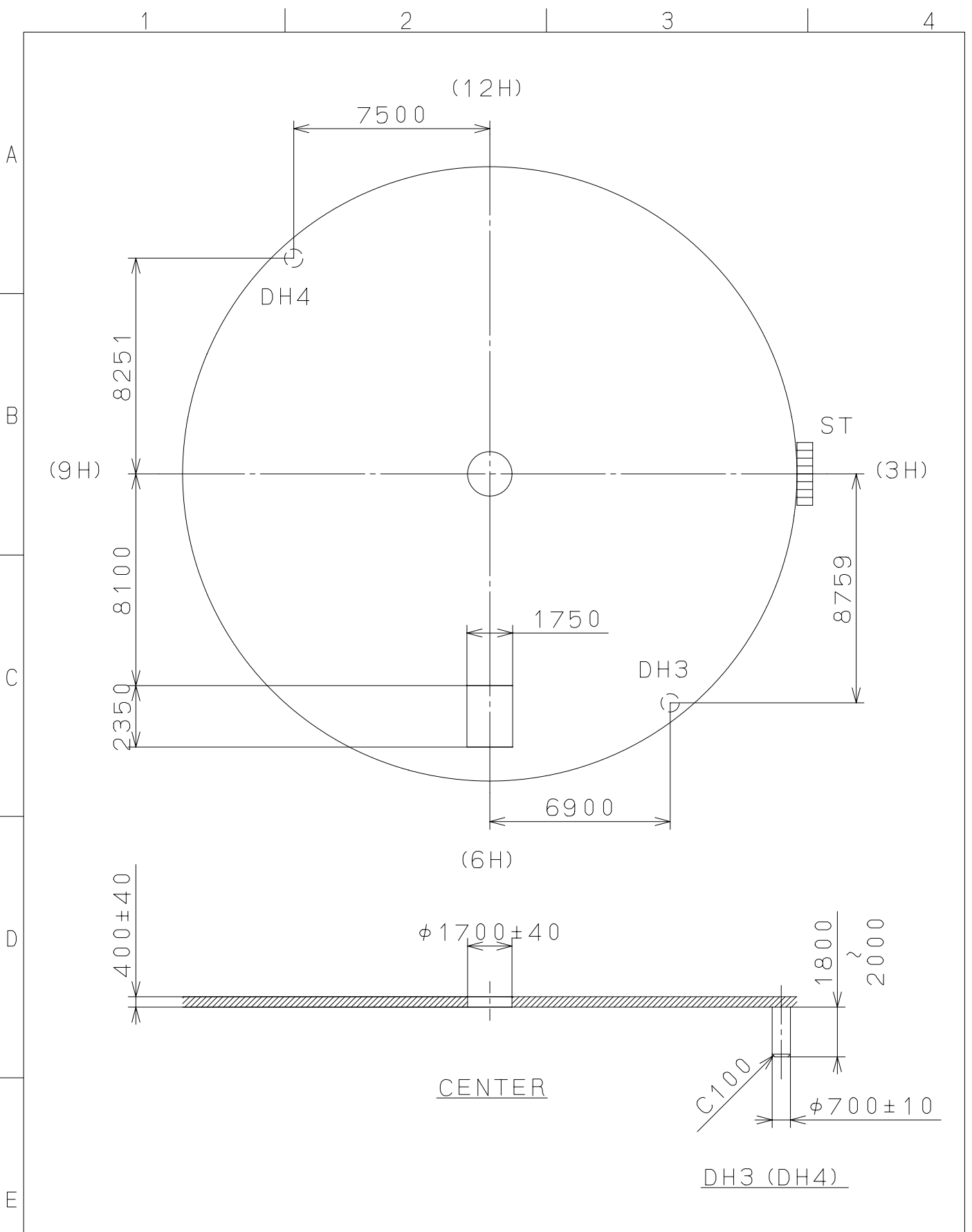


2007/06/13 (10:46:21)

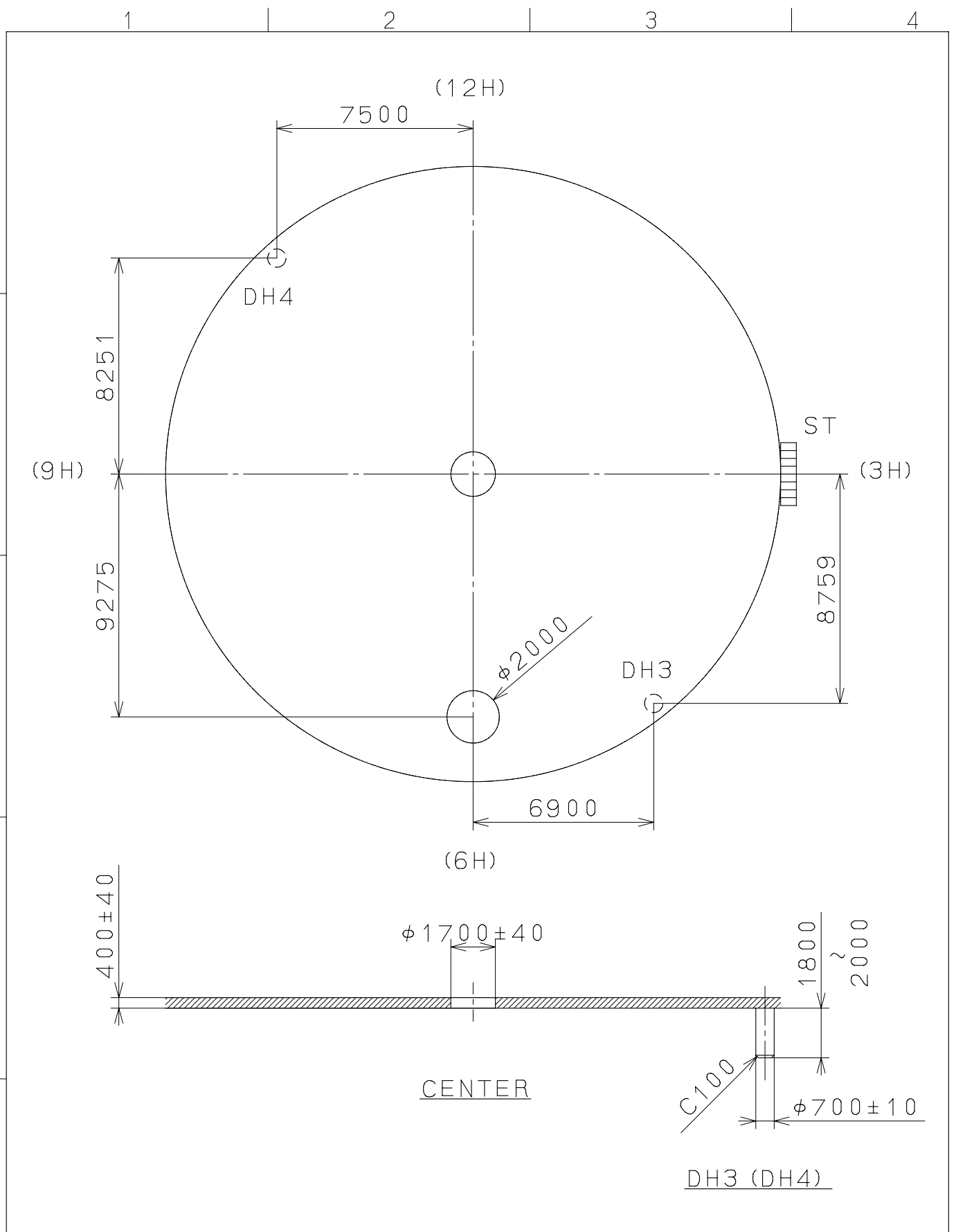
This drawing is provisional and subject to our reconfirmation and/or revision without notice.



|                                      |      |             |                    |             |                       |                      |
|--------------------------------------|------|-------------|--------------------|-------------|-----------------------|----------------------|
| △                                    |      |             | Quantity           |             | Cal. NO.              | GM12-10U / 10Z       |
| △                                    |      |             | Unit               | 1 / 1000 mm |                       |                      |
| △                                    |      |             | Scale              | 5 : 1       | Parts No.:            |                      |
| △                                    |      |             | Date               |             |                       |                      |
| △                                    |      |             | Drawn              |             |                       |                      |
| Mark                                 | Date | Description | Appr.              | Checked     | M. Fukuda             | Name:                |
| Alterations                          |      |             | Approved           |             |                       | Indications for Dial |
| Material                             |      |             |                    |             | Drawing No.: GM10D020 |                      |
| Heat Treatment                       |      |             | General Tolerances |             |                       |                      |
| Hardness                             |      |             | Dimensions         |             |                       |                      |
| Plating                              |      |             | Angles             |             |                       |                      |
| CITIZEN WATCH CO., LTD. TOKYO, JAPAN |      |             |                    |             |                       |                      |

2008/01/25 (07:58:47)

This drawing is provisional and subject to our reconfirmation and/or revision without notice.



|                |      |             |                    |                                      |                                |
|----------------|------|-------------|--------------------|--------------------------------------|--------------------------------|
| △              |      |             | Quantity           |                                      | Cal. NO. <b>GM12-10U / 10Z</b> |
| △              |      |             | Unit               | 1 / 1000 mm                          |                                |
| △              |      |             | Scale              | 5 : 1                                | Parts No.:                     |
| △              |      |             | Date               |                                      |                                |
| △              |      |             | Drawn              |                                      |                                |
| Mark           | Date | Description | Appro.             | Checked                              | Name:                          |
|                |      | Alterations | Approved           | N. Suzuki                            | Indications for Dial           |
| Material       |      |             |                    |                                      | Drawing No.: GM10D030          |
| Heat Treatment |      |             | General Tolerances | <b>MIYOTA</b>                        |                                |
| Hardness       |      |             | Dimensions         |                                      |                                |
| Plating        |      |             | Angles             |                                      |                                |
|                |      |             |                    | CITIZEN WATCH CO., LTD. TOKYO, JAPAN |                                |