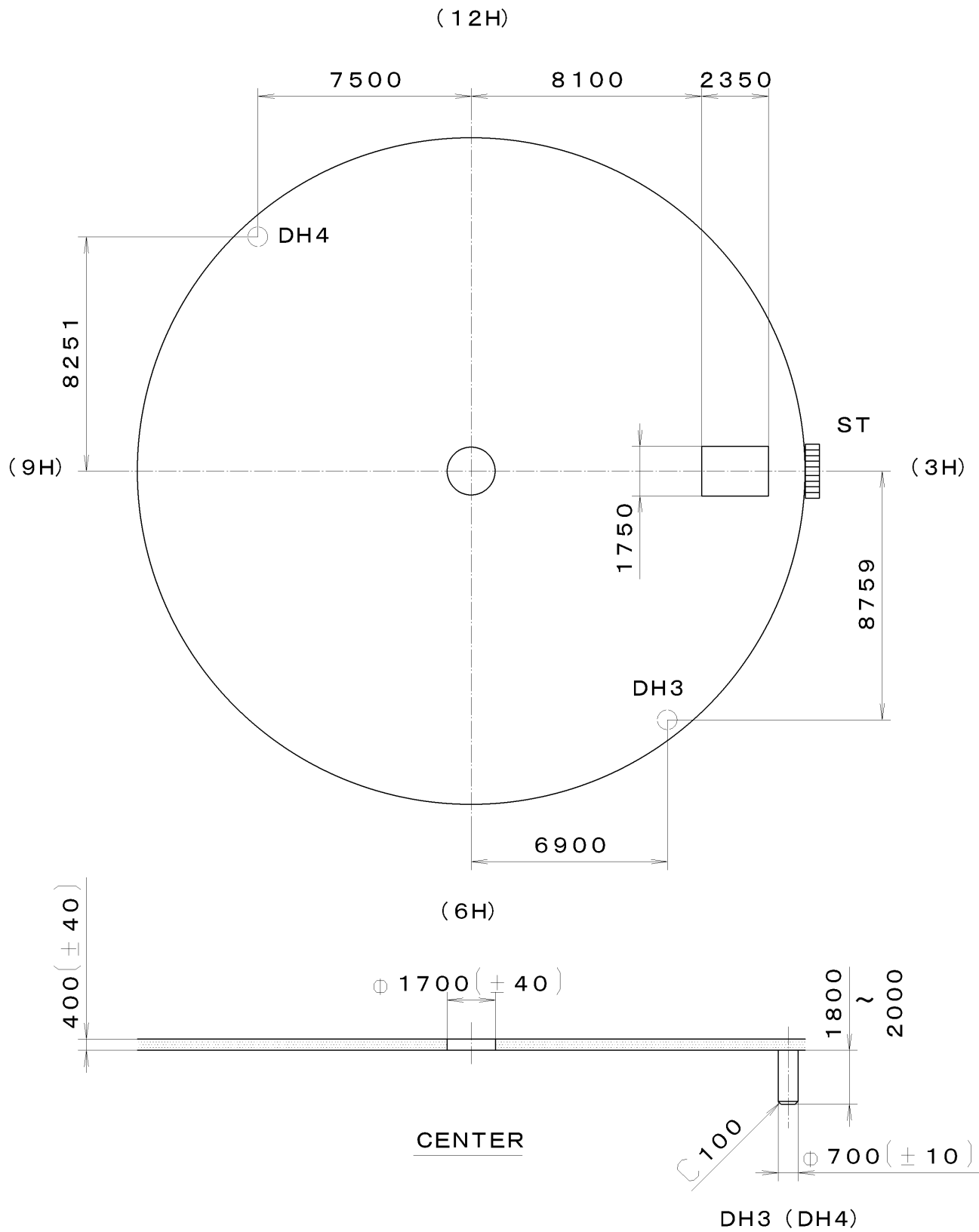


This drawing is provisional and subject to our reconfirmation and/or revision without notice.

\*\*\* T I P W GM10-00A (01) \*\*\* (2100 1121) 03-06-02



△7			Quantity		Cal. No.	GM17-10A
△6			Unit	1/1000 mm	Parts:	
△5			Scale	5:1	Name:	Indiations for Dial
△4			Date		Drawing No.:	GM10D000
△3			Drawn		<b>MIYOTA</b> CITIZEN WATCH CO., LTD.	
△2			Checked	M. Fukuda		
△1			Approved			
Material			General Tolerances			
Heat Treatment			Dimensions			
Hardness			Angles			
Plating						