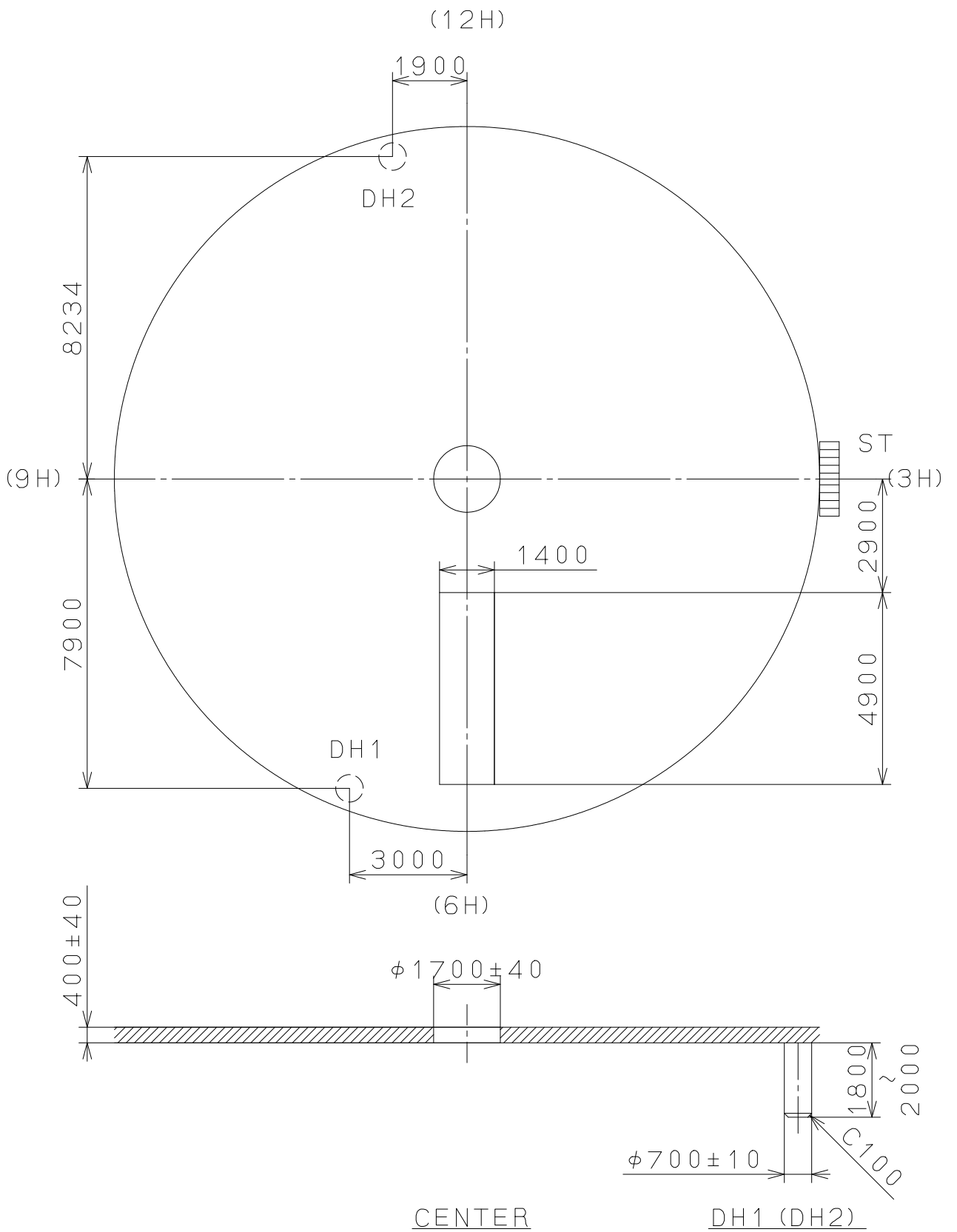


2010/06/24 (09:11:11)

This drawing is provisional and subject to our reconfirmation and/or revision without notice.



△			Quantity		Cal. NO.	GL02-1AC
△			Unit	1 / 1000 mm		
△			Scale	7 : 1	Parts No.:	
△			Date			
△			Drawn			
Mark	Date	Description	Appro.	Checked	Name:	
Alterations			Approved	Indications for Dial		
Material					Drawing No.: GL00D040	
Heat Treatment	General Tolerances				MIYOTA CITIZEN WATCH CO., LTD. TOKYO, JAPAN	
Hardness	Dimensions					
Plating	Angles					