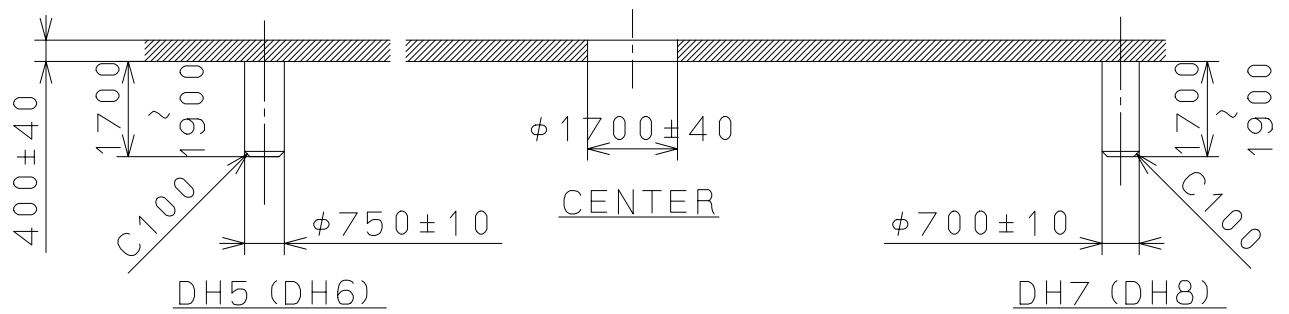
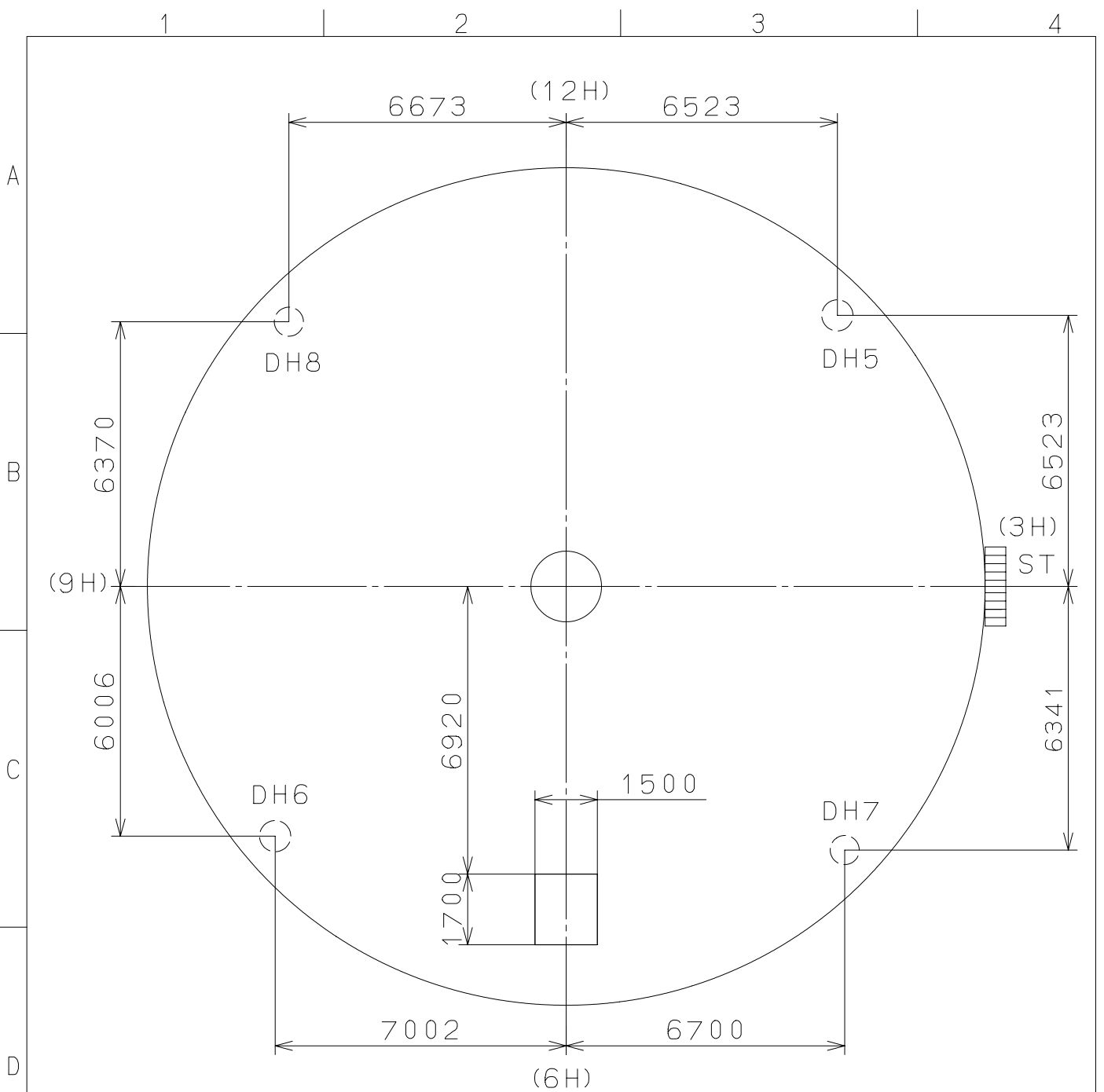


2005/01/20 (17:44:51)

This drawing is provisional and subject to our reconfirmation and/or revision without notice.



△			Quantity		Cal. NO. GN12-10U / 10X	
△			Unit	1 / 1000 mm		
△			Scale	7 / 1		Parts No.:
△				Date	Name	
△			Drawn			
Mark	Date	Description	Appr.	Checked	M. Fukuda	Name:
Alterations			Approved			Indications for Dial
Material					Drawing No.: GN10D010	
Heat Treatment					General Tolerances	
Hardness					Dimensions	
Plating					Angles	

MIYOTA
CITIZEN WATCH CO., LTD.