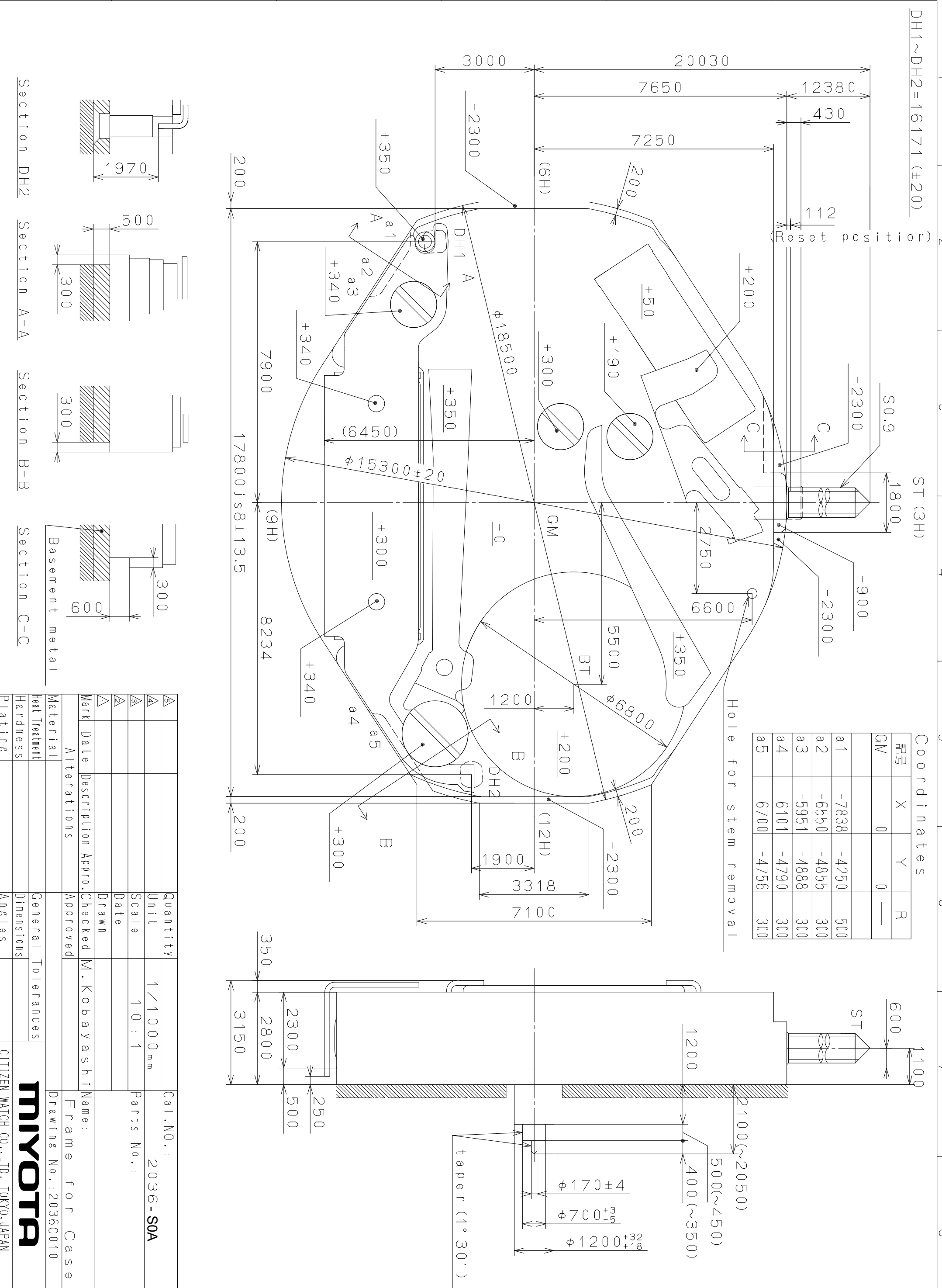


PL SUPER2036

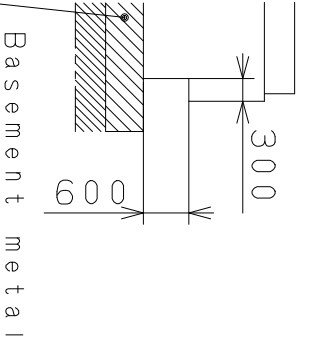
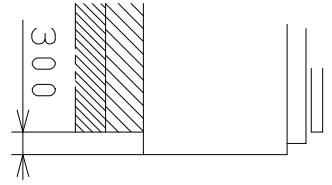
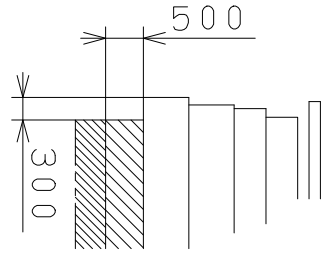
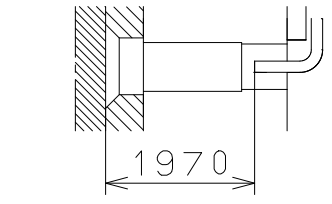


Section DH2

Section A-A

Section B-B

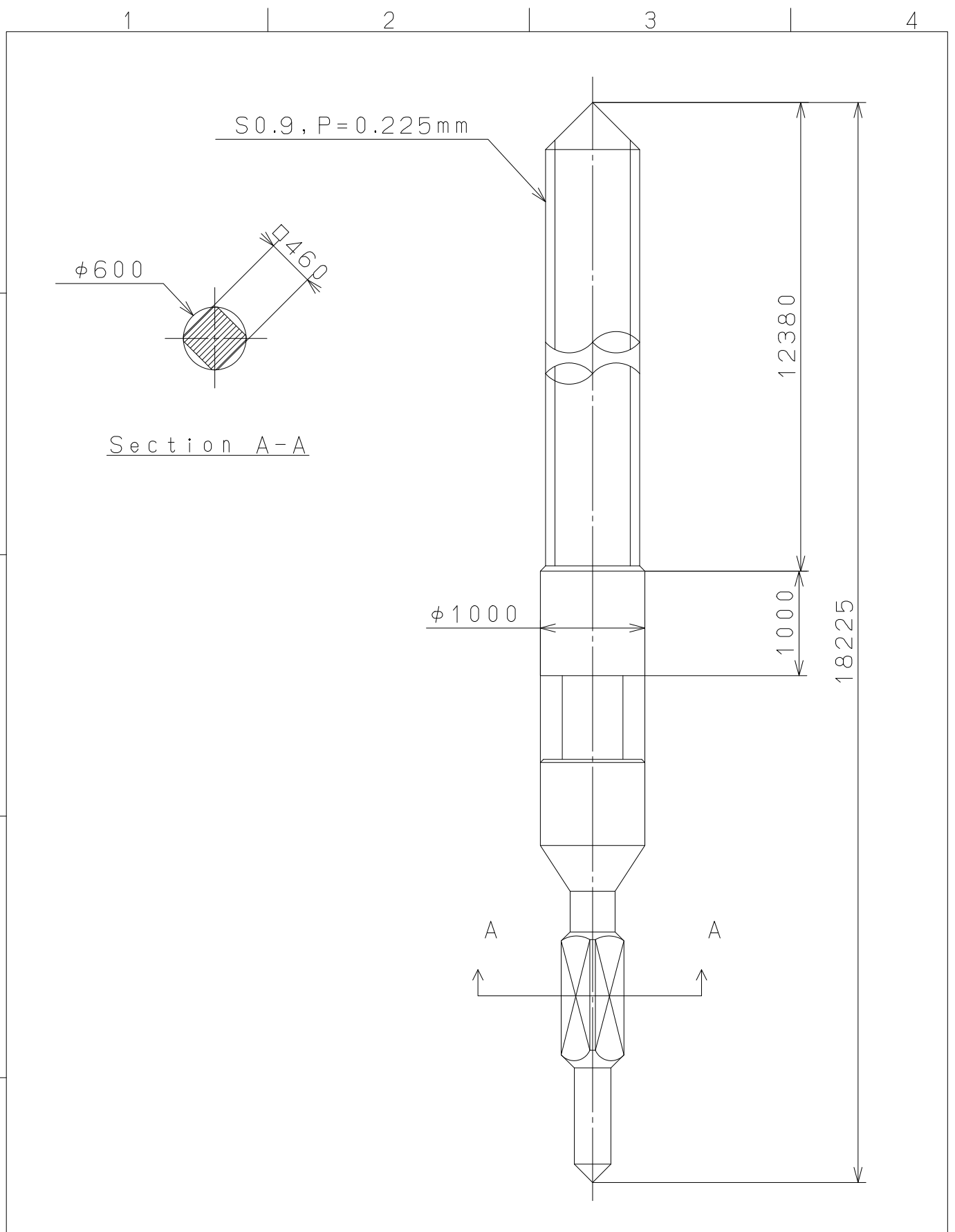
Section C-C



Material	Alterations	Date	Description	Appr.	Checked	M. Kobayashi	Name:	Frame for Case
Heat Treatment								Drawing No.: 2036C010
Hardness								
Plating								
Quantity	Unit	Scale	Date	Drawn	Checked	M. Kobayashi	Name:	Frame for Case
5	1/1000 mm	10:1						
Cal. No.:	2036-S0A							
Parts No.:								
General Tolerances								
Dimensions								
Angles								

**MIYOTA**  
CITIZEN WATCH CO., LTD. TOKYO, JAPAN

This drawing is provisional and subject to our reconfirmation and/or revision without notice.



△5			Quantity		Cal.NO.:
△4			Unit	1 / 1000 mm	
△3			Scale	20 : 1	Parts No.:
△2			Date		065-468
△1			Drawn		
Mark	Date	Description	Appro.	Checked M. Kobayashi	Name:
Alterations			Approved		SETTING STEM
Material					Drawing No.: 4680S001
Heat Treatment	General Tolerances				<b>MIYOTA</b>
Hardness	Dimensions				
Plating	Angles				
					CITIZEN WATCH CO., LTD. TOKYO, JAPAN