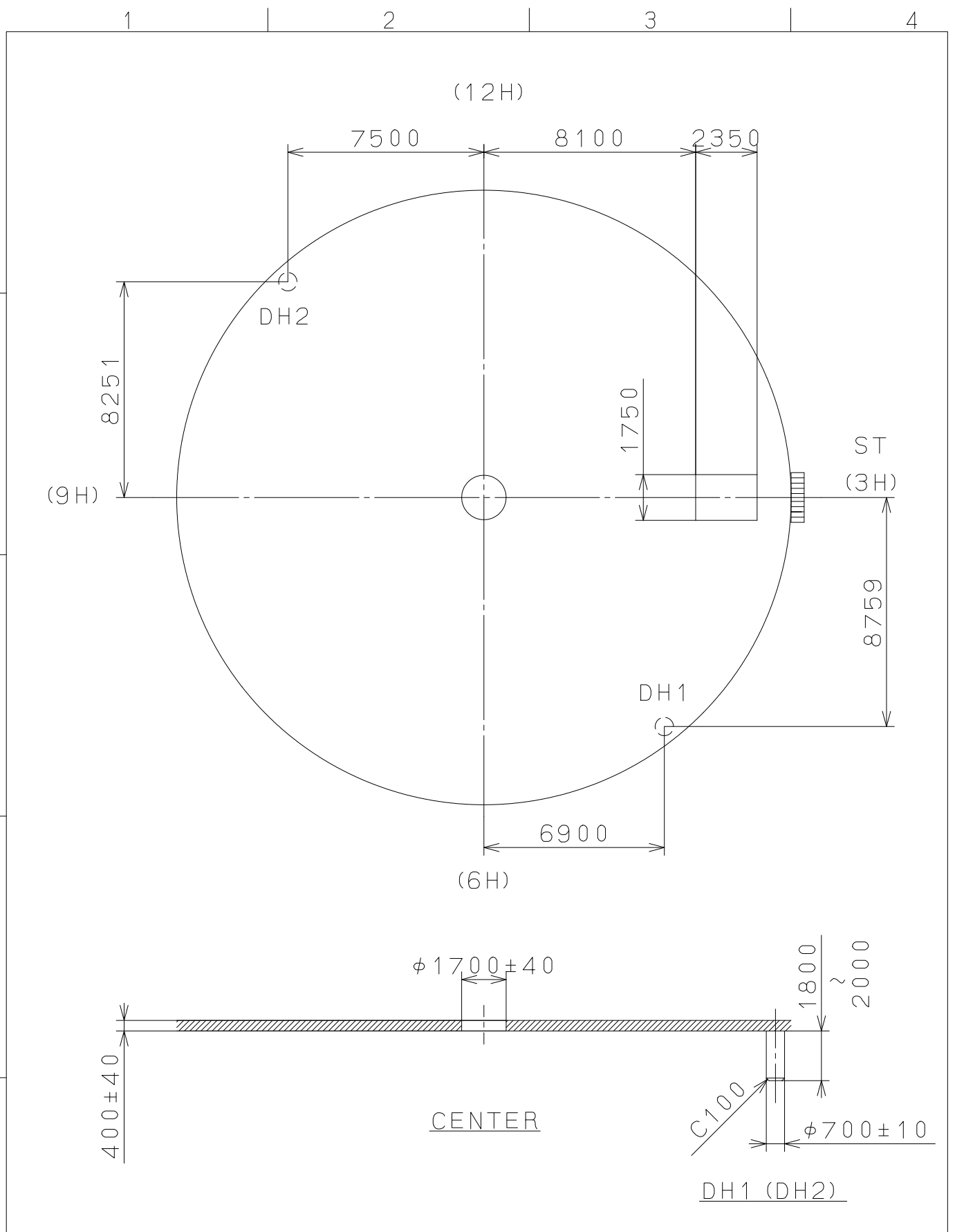


This drawing is provisional and subject to our reconfirmation and/or revision without notice.



△			Quantity		Cal. NO.:	9U13-00A
△			Unit	1 / 1000 mm	Parts No.:	
△			Scale	5 : 1		
△			Date			
△			Drawn			
Mark	Date	Description	Appro.	Checked	M. Kobayashi	Name:
Alterations			Approved			Indications for Dial
Material					Drawing No.: 9U15D000	
Heat Treatment					<b>MIYOTA</b> CITIZEN WATCH CO., LTD. TOKYO, JAPAN	
Hardness						
Plating						