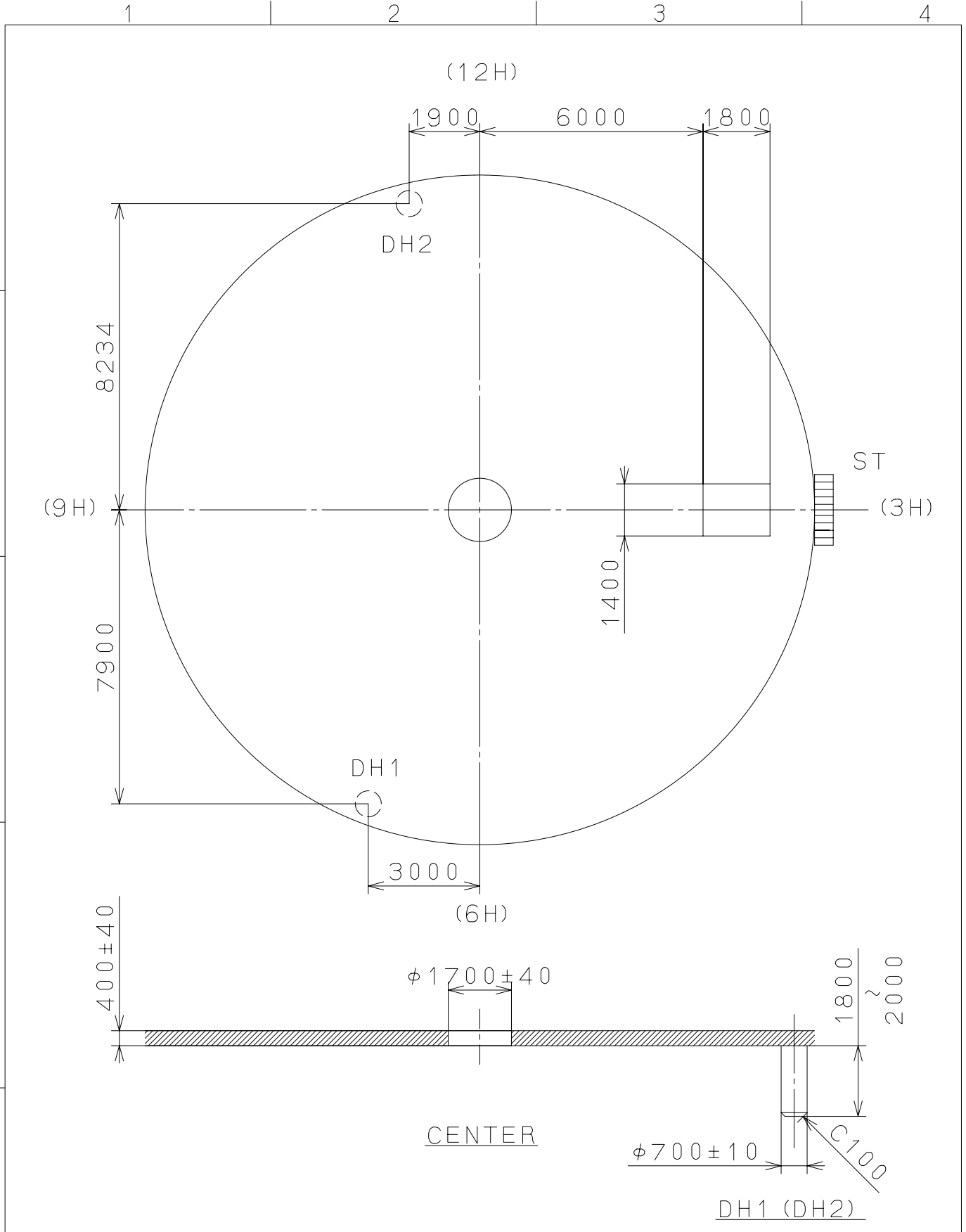


This drawing is provisional and subject to our reconfirmation and/or revision without notice.



⑤			Quantity			Cal. NO. GL15-S0A
④			Unit	1 / 1000 mm		
③			Scale	7 / 1		Parts No.:
②				Date	Name	
①			Drawn			
Mark	Date	Description	Appr.	Checked	M. fukuda	Name:
Alterations			Approved			Indications for Dial
Material					Drawing No.: GL15D000	
Heat Treatment			General Tolerances		MIYOTA CITIZEN WATCH CO., LTD.	
Hardness			Dimensions			
Plating			Angles			