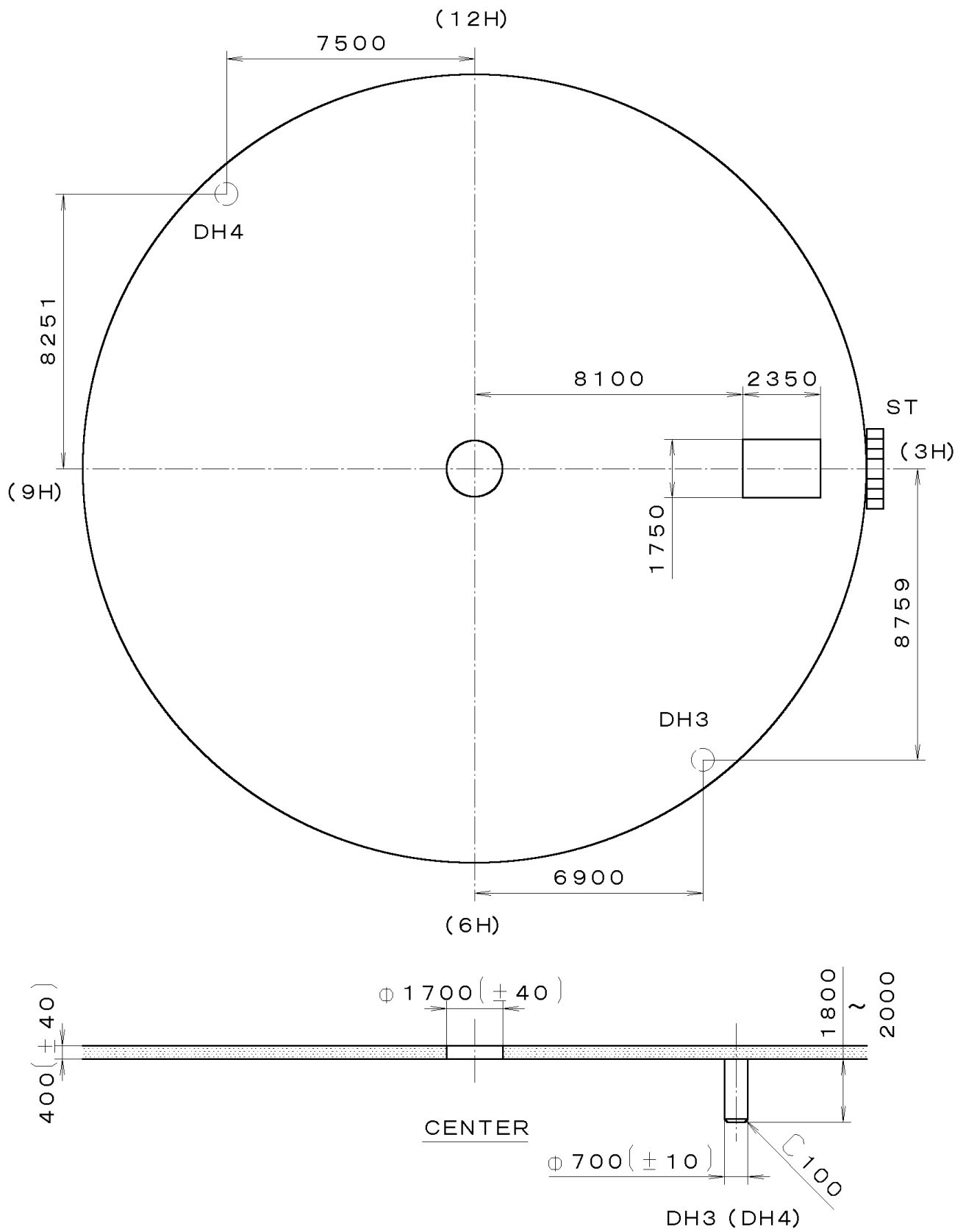


This drawing is provisional and subject to our reconfirmation and/or revision without notice.

\*\*\* T I P W 2115-00A (01) \*\*\* (2100 1121) 01-03-14



7			Quantity		Cal. No. 2115-20A/20P/2AG
6			Unit	1/1000 mm	
5			Scale	6:1	Parts:
4			Date		
3			Drawn		
2			Checked	T. Hiruta	Name:
1			Approved		Indications for Dial
Material					Drawing No. : 2115D000
Heat Treatment			General Tolerances		<b>MIYOTA</b> CITIZEN WATCH CO.,LTD.
Hardness			Dimensions		
Plating			Angles		