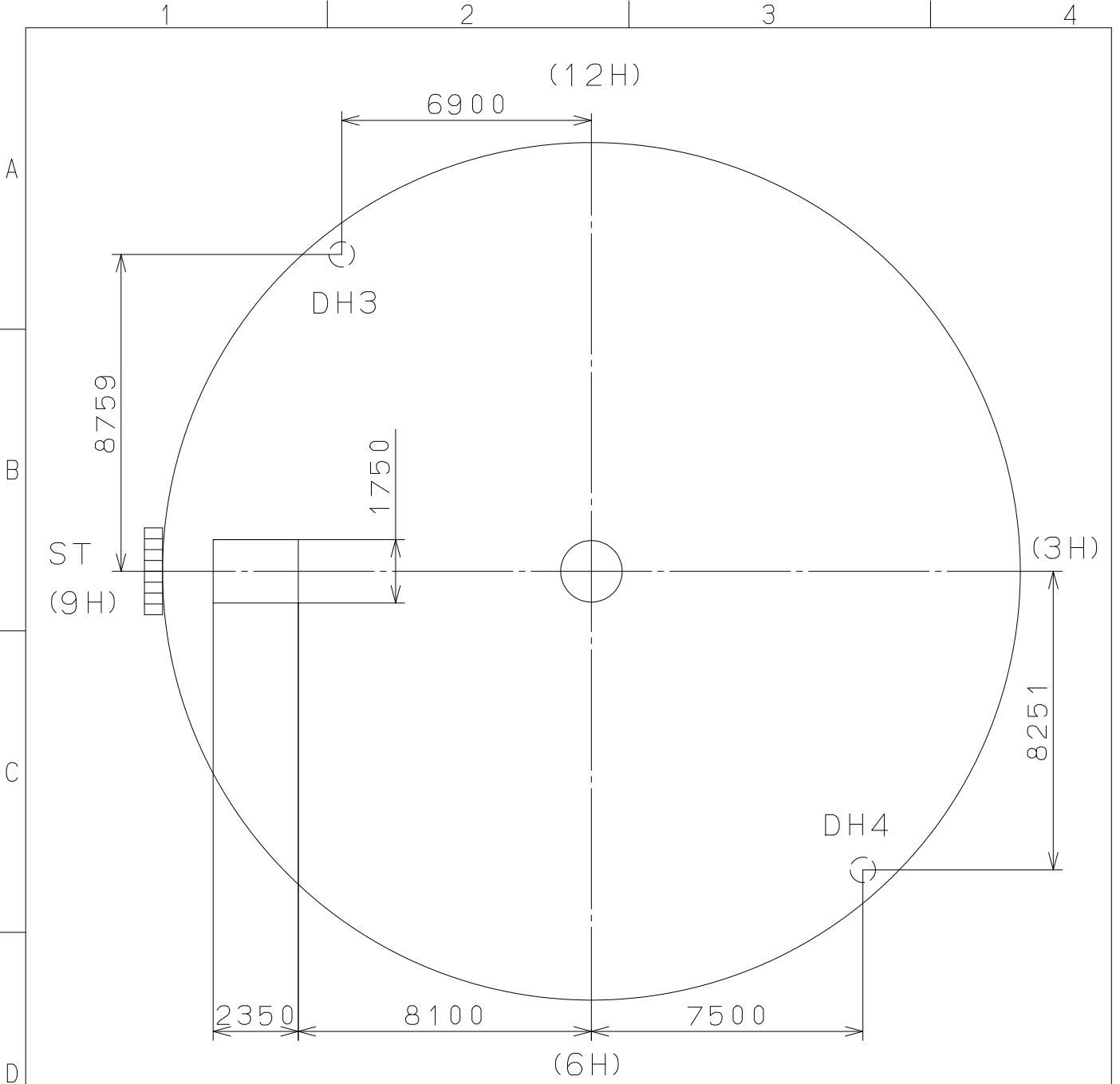


2011/03/11 (11:42:44)

This drawing is provisional and subject to our reconfirmation and/or revision without notice.



△			Quantity		Cal. NO.:
△			Unit	1/1000 _{mm}	2115-2ZG
△			Scale	6:1	Parts No.:
△			Date		
△			Drawn		Name:
Mark	Date	Description	Appr. Checked	N. Suzuki	
Alterations			Approved		Indications for Dial
Material					Drawing No.: 2115D090
Heat Treatment					<p>MIYOTA</p> <p>CITIZEN WATCH CO., LTD. TOKYO, JAPAN</p>
Hardness					
Plating					

F