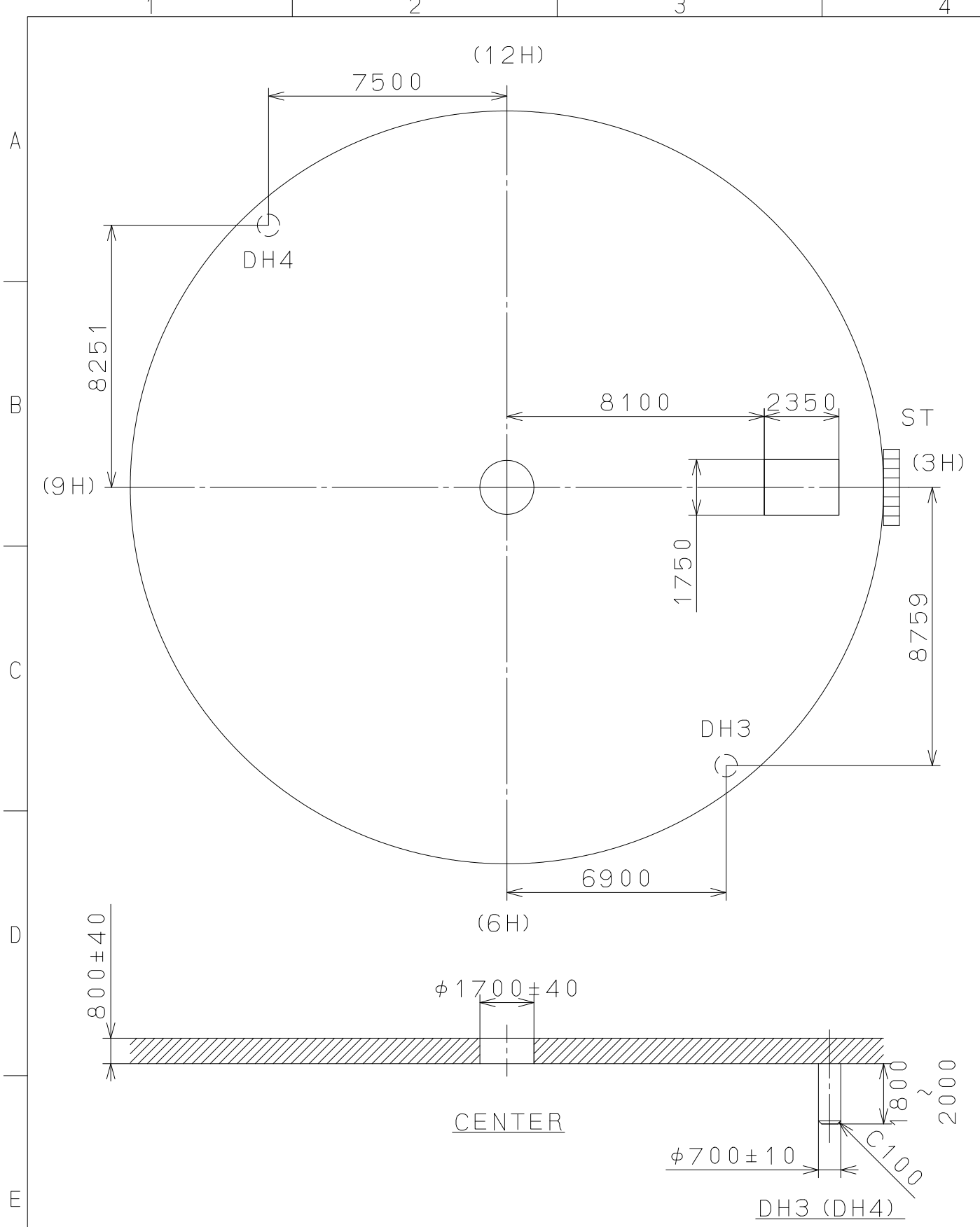


2009/10/13 (13:47:04)

This drawing is provisional and subject to our reconfirmation and/or revision without notice.



△			Quantity		Cal. NO. 2117-20A-20P
△			Unit	1 / 1000 mm	
△			Scale	6 : 1	Parts No.:
△			Date		
△			Drawn		
Mark	Date	Description	Appr.	Checked	T. Hiruta
Alterations			Approved	Name:	
Material					Indications for Dial
Heat Treatment					Drawing No.: 2117D001
Hardness					MIYOTA
Plating					