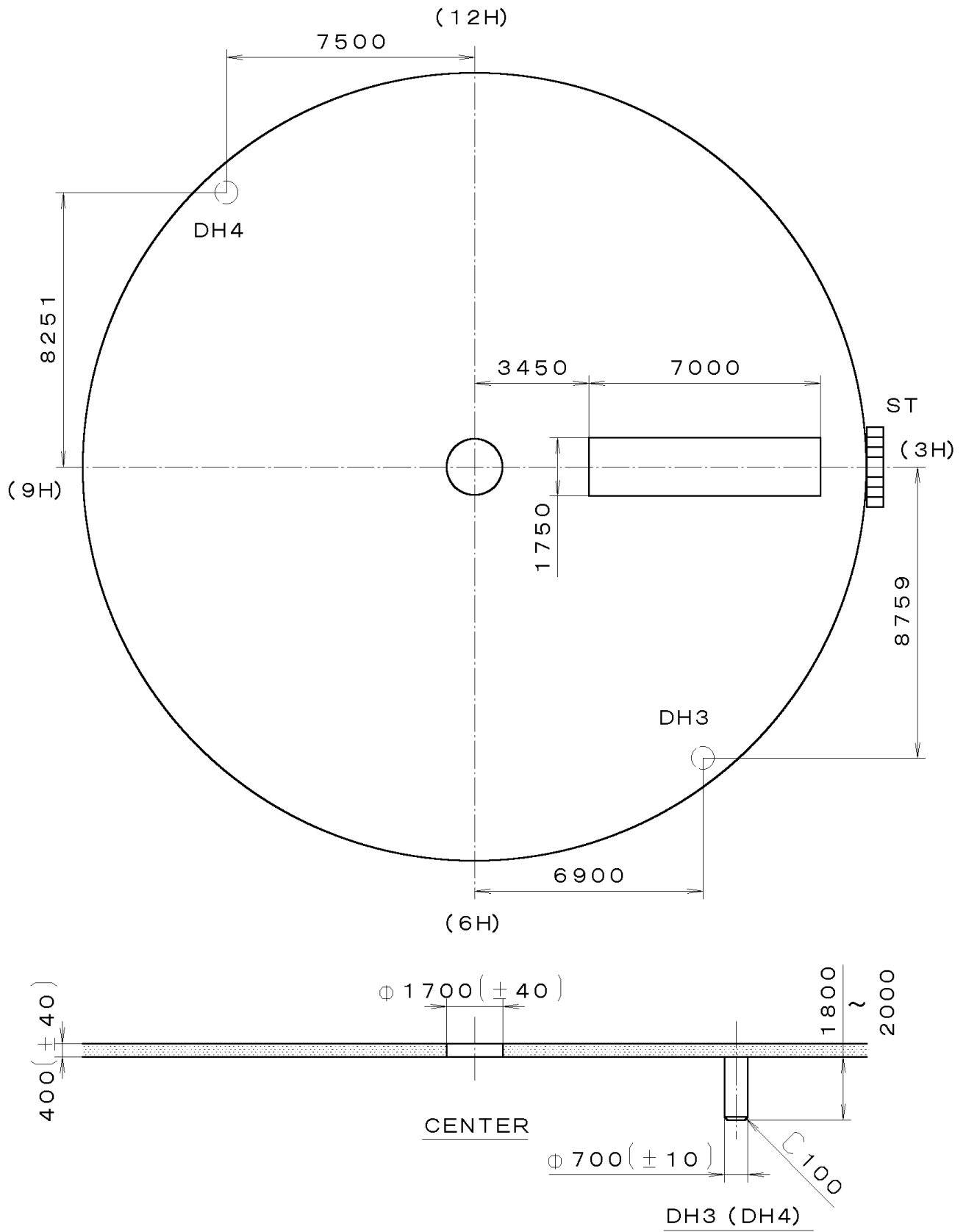


This drawing is provisional and subject to our reconfirmation and/or revision without notice.

01-03-14  
 2105-00A (01) \*\*\*  
 (2100 1121)  
 \*\*\* T I P W



7			Quantity		Cal. No. : 2105-20A etc
6			Unit	1/1000 mm	
5			Scale	6 : 1	Parts :
4			Date		
3			Drawn		
2			Checked	T. Hiruta	Name :
1			Approved		Indications for Dial
Material					Drawing No. : 2105D000
Heat Treatment			General Tolerances		<b>MIYOTA</b> CITIZEN WATCH CO.,LTD.
Hardness			Dimensions		
Plating			Angles		