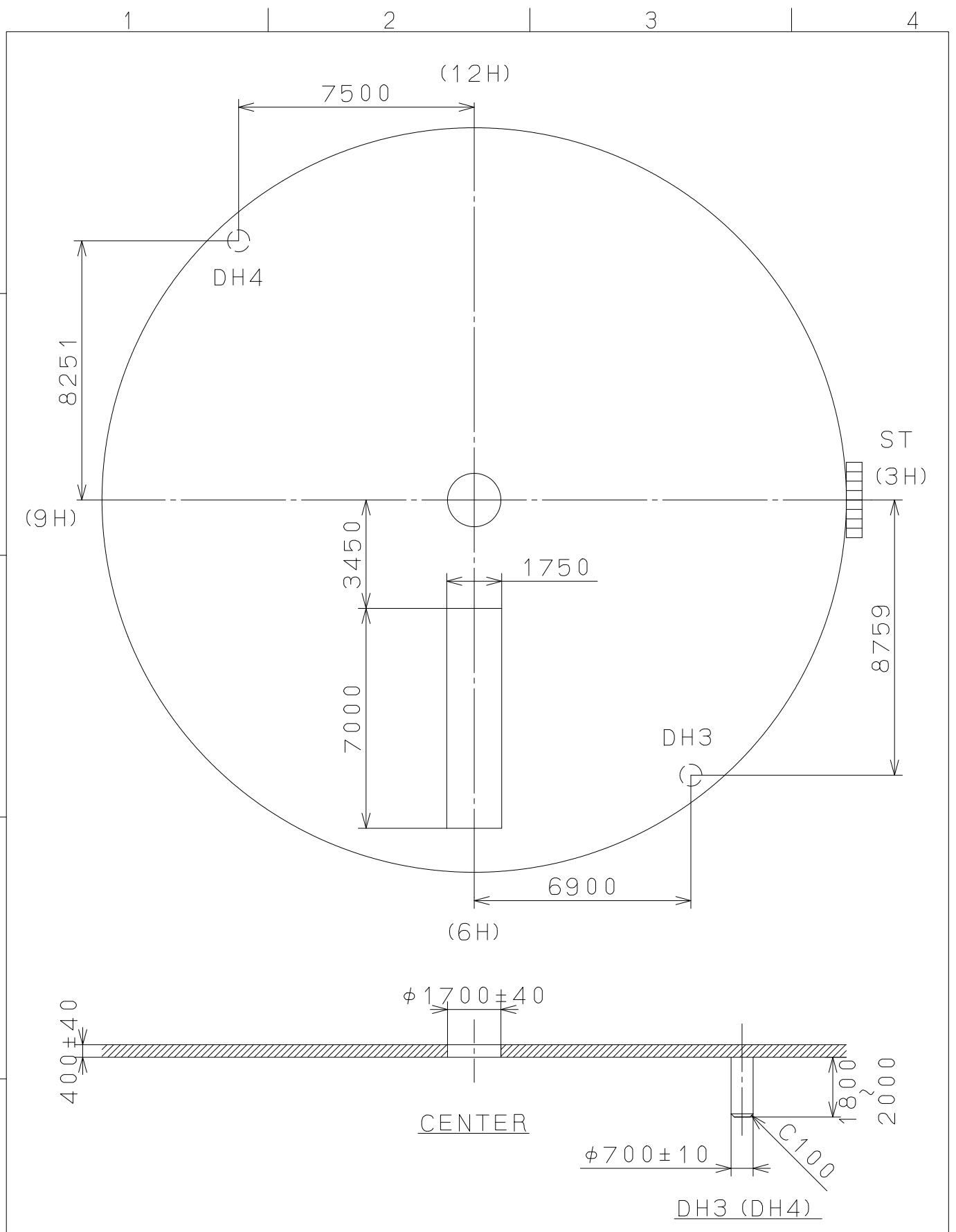


confidential papers 2012/05/25 (12:50:53)

This drawing is provisional and subject to our reconfirmation and/or revision without notice.



△5			Quantity		Cal. NO. 2105-20Q/-2QE
△4			Unit	1 / 1000 mm	-2QU/-2RY
△3			Scale	6 : 1	Parts No.:
△2			Date		
△1			Drawn		
Mark	Date	Description	Appr.	Checked	Name:
		Alterations	Approved	N. Suzuki	Indications for Dial
Material					Drawing No.: 2105D070
Heat Treatment			General Tolerances		MIYOTA
Hardness			Dimensions		
Plating			Angles		
					CITIZEN WATCH CO., LTD. TOKYO, JAPAN