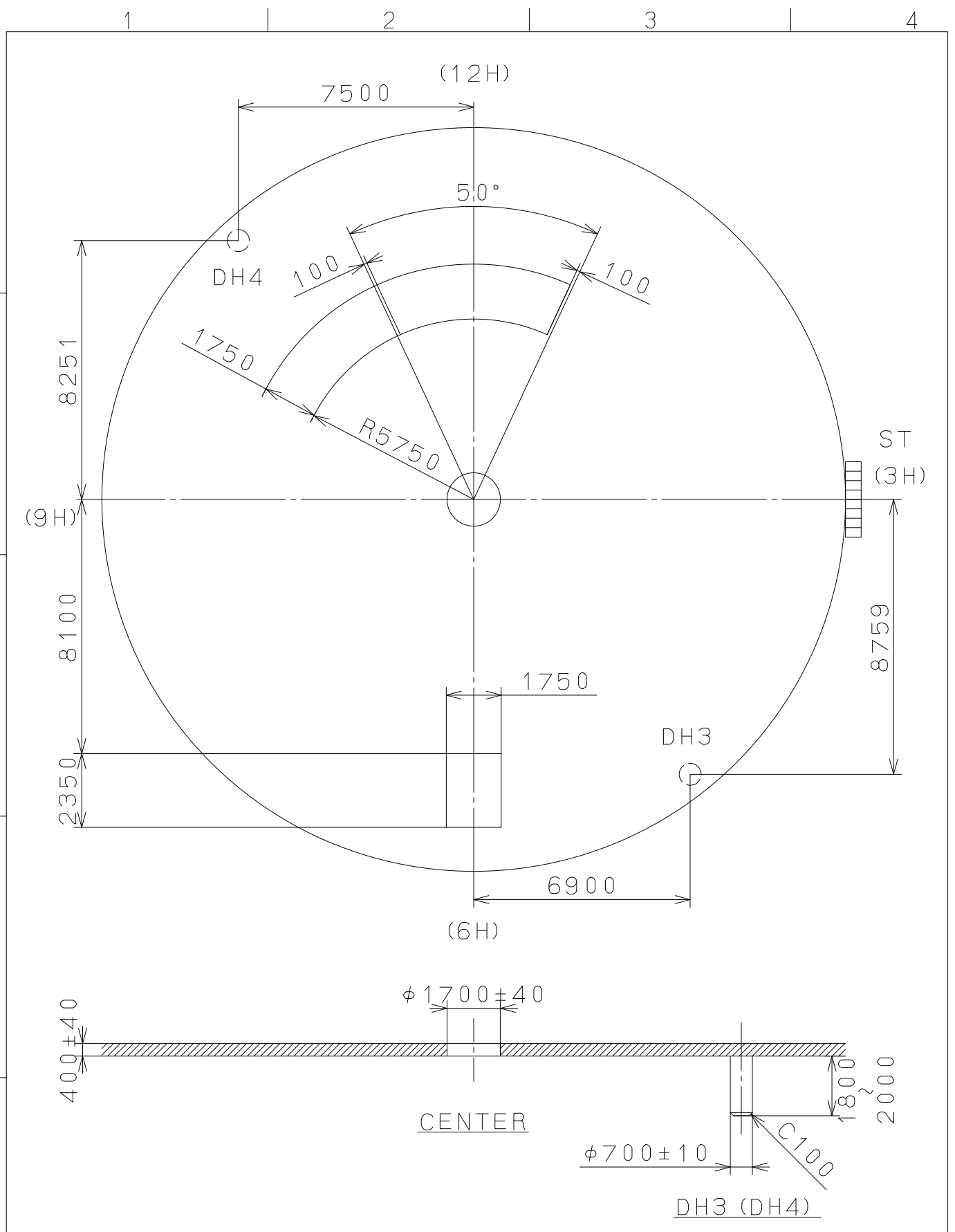


confidential papers 2012/05/25 (12:51:49)

This drawing is provisional and subject to our reconfirmation and/or revision without notice.



△			Quantity		Cal. NO. 2105-2QA-2QG/-2QZ
△			Unit	1 / 1000 mm	
△			Scale	6 : 1	Parts No.:
△			Date		
△			Drawn		
Mark	Date	Description	Appr.	Checked	Name: N. Suzuki
Alterations			Approved		Indications for Dial
Material					Drawing No.: 2105D080
Heat Treatment				General Tolerances	MIYOTA
Hardness				Dimensions	
Plating				Angles	
					CITIZEN WATCH CO., LTD. TOKYO, JAPAN