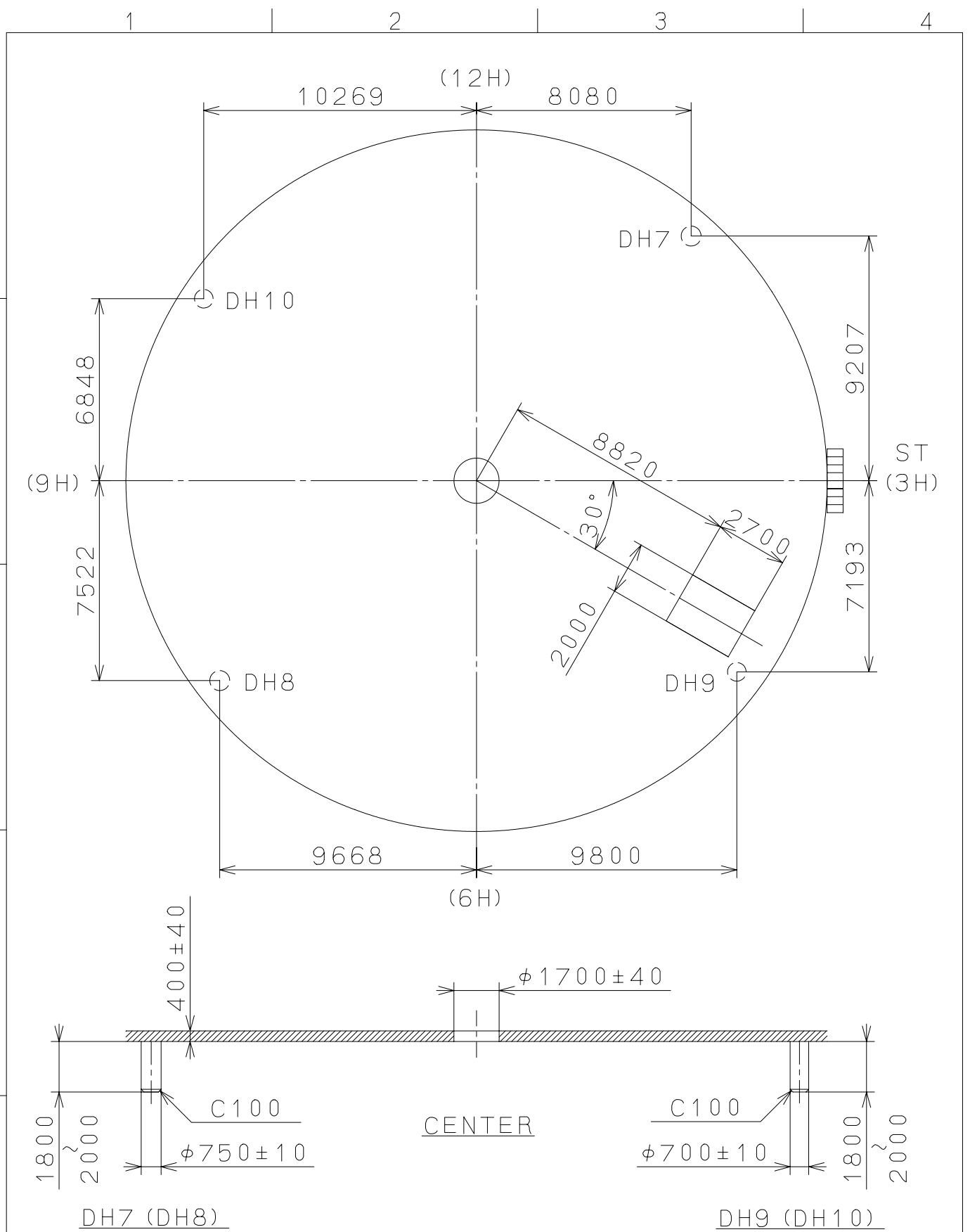


2006/03/31 (12:56:10)

This drawing is provisional and subject to our reconfirmation and/or revision without notice.



△			Quantity		Cal. NO.: 2315-2AZI-2PZ
△			Unit	1 / 1000 _{mm}	
△			Scale	5 / 1	Parts No.:
△			Date		
△			Drawn		
Mark	Date	Description	Appr.	Checked	M. Fukuda
Alterations			Approved	Name:	
Material					Indications for Dial
Heat Treatment			General Tolerances		Drawing No.: 2315D020
Hardness			Dimensions		MIYOTA
Plating			Angles		