

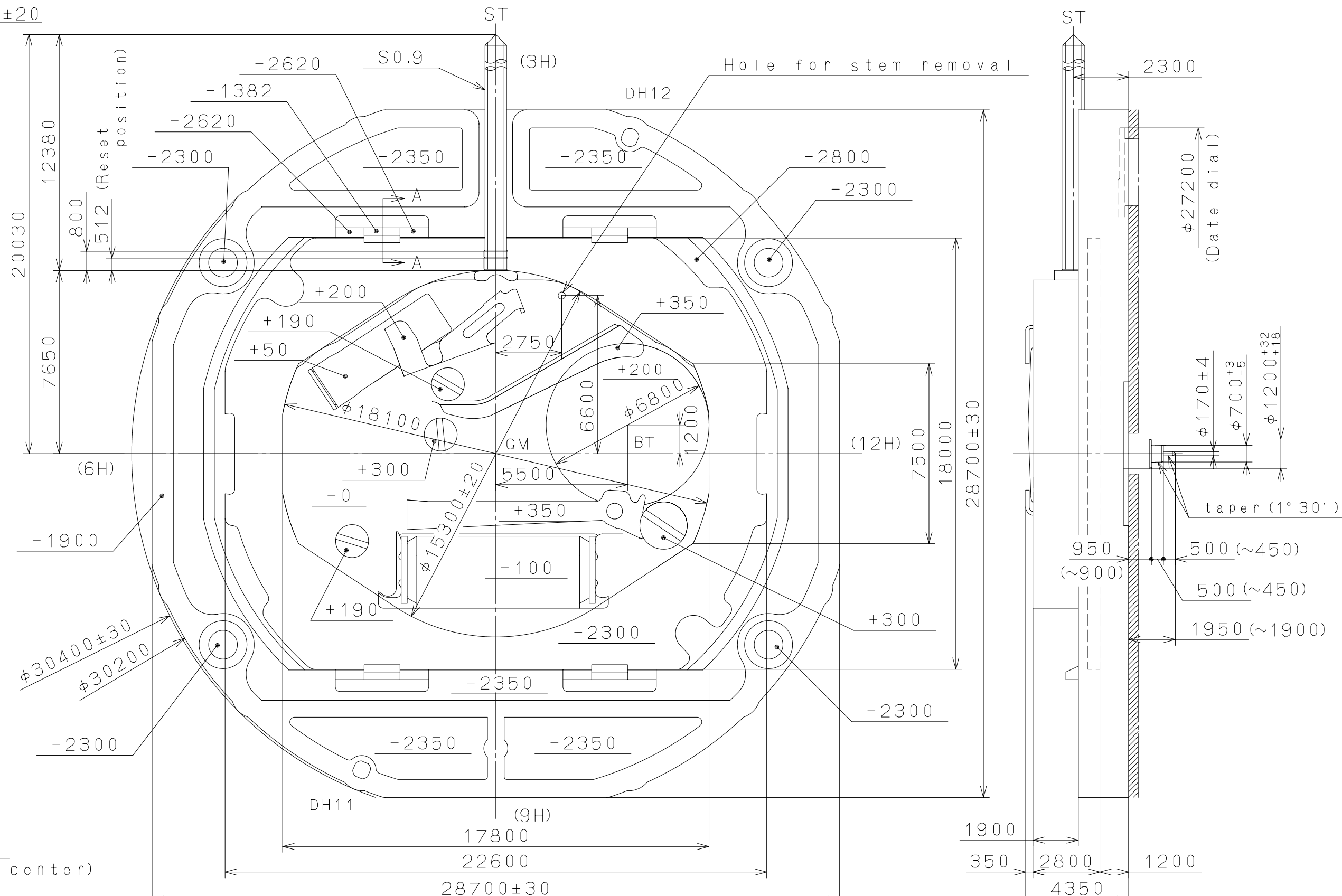
2007/03/16 (10:32:13)

This drawing is provisional and subject to our reconfirmation and/or revision without notice.

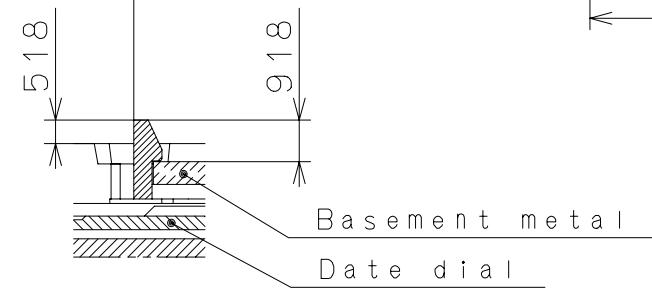
DH11~DH12=28678±20

Coordinates

記号	X	Y
GM	0	0
DH11	-5600	-13200
DH12	5600	13200



9430 (from center)



Section A-A (other hook)

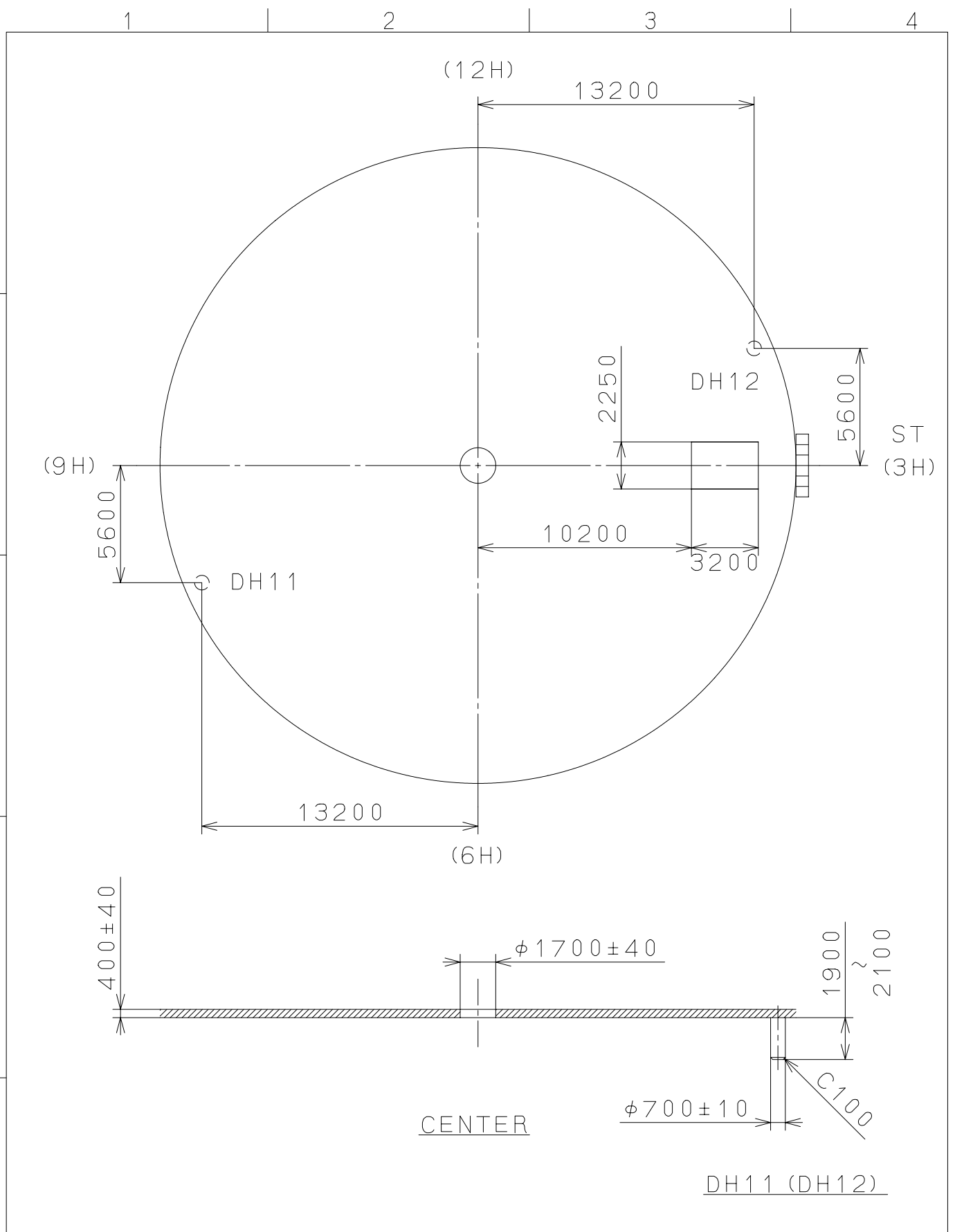
△5			Quantity		Cal. NO.:
△4			Unit	1/1000mm	2415
△3			Scale	6/1	Parts No.:
△2			Date		
△1			Drawn		
Mark	Date	Description	Checked	M. Fukuda	Name:
		Alterations	Approved		Frame for Case
Material			General Tolerances		Drawing No.: 2415C000
Heat Treatment			Dimensions		
Hardness			Angles		
Plating					

**MIYOTA**

CITIZEN WATCH CO., LTD. TOKYO, JAPAN

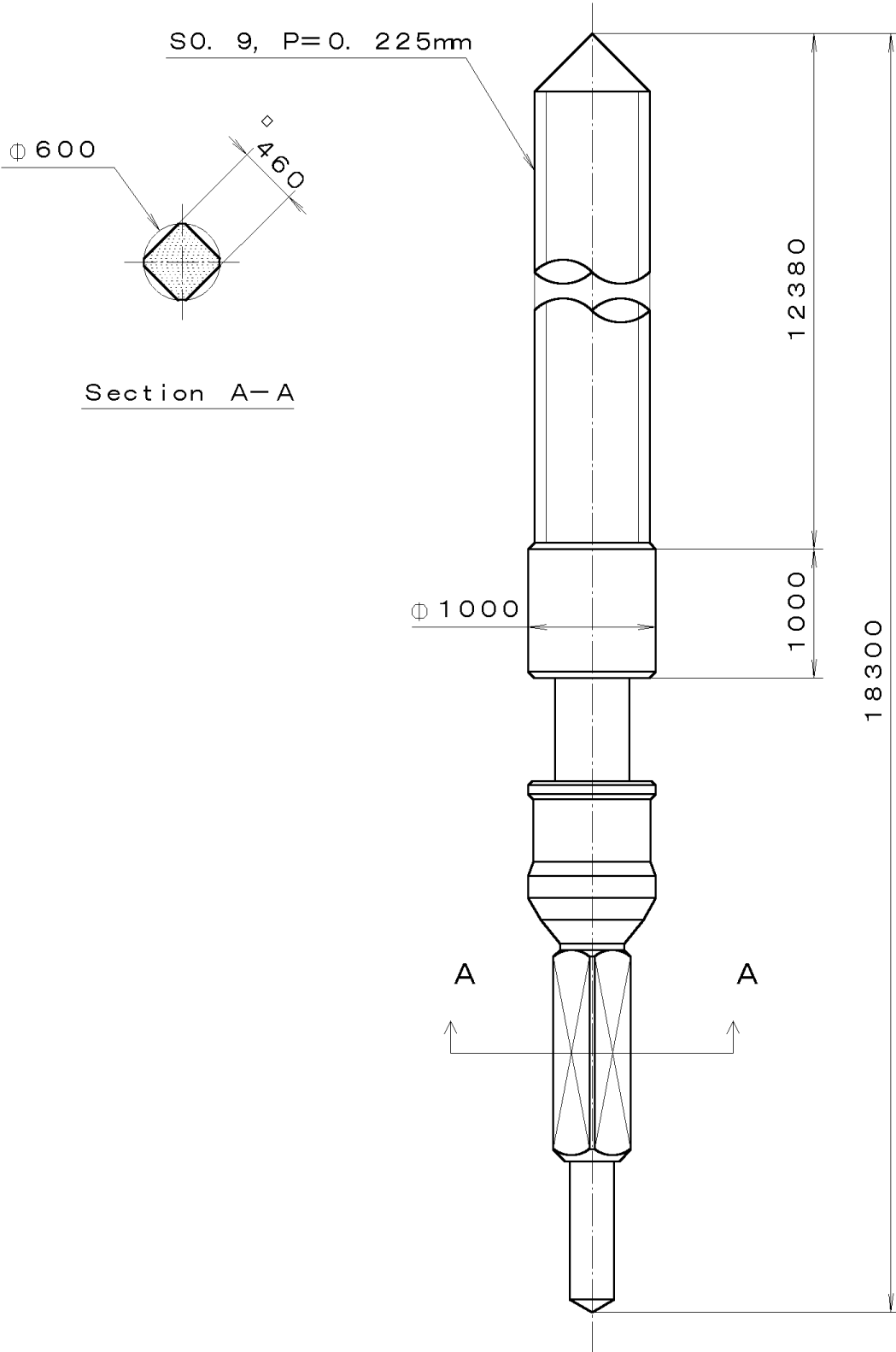
2007/03/16 (09:54:24)

This drawing is provisional and subject to our reconfirmation and/or revision without notice.



△			Quantity		Cal.NO.:
△			Unit	1 / 1000 <sub>mm</sub>	2415-00A
△			Scale	4 / 1	Parts No.:
△			Date		
△			Drawn		
Mark	Date	Description	Appr.	Checked	Name:
		Alterations		Approved	M. Fukuda
Material					Indications for Dial
Heat Treatment					Drawing No.: 2415D000
Hardness				General Tolerances	<b>MIYOTA</b>
Plating				Dimensions	
				Angles	CITIZEN WATCH CO., LTD. TOKYO, JAPAN

This drawing is provisional and subject to our reconfirmation and/or revision without notice.



065-299 (01) \*\*\* (2100 1121) 00-06-23

7			Quantity		Cal. No. :
6			Unit	1/1000 mm	
5			Scale	20:1	Parts:
4			Date		065-299
3			Drawn		Name:
2			Checked	T. Hiruta	SETTING STEM
1			Approved		Drawing No. : 2990S000
Material					
Heat Treatment			General Tolerances		
Hardness			Dimensions		
Plating			Angles		

**CITIZEN** WATCH CO., LTD.  
TOKYO, JAPAN