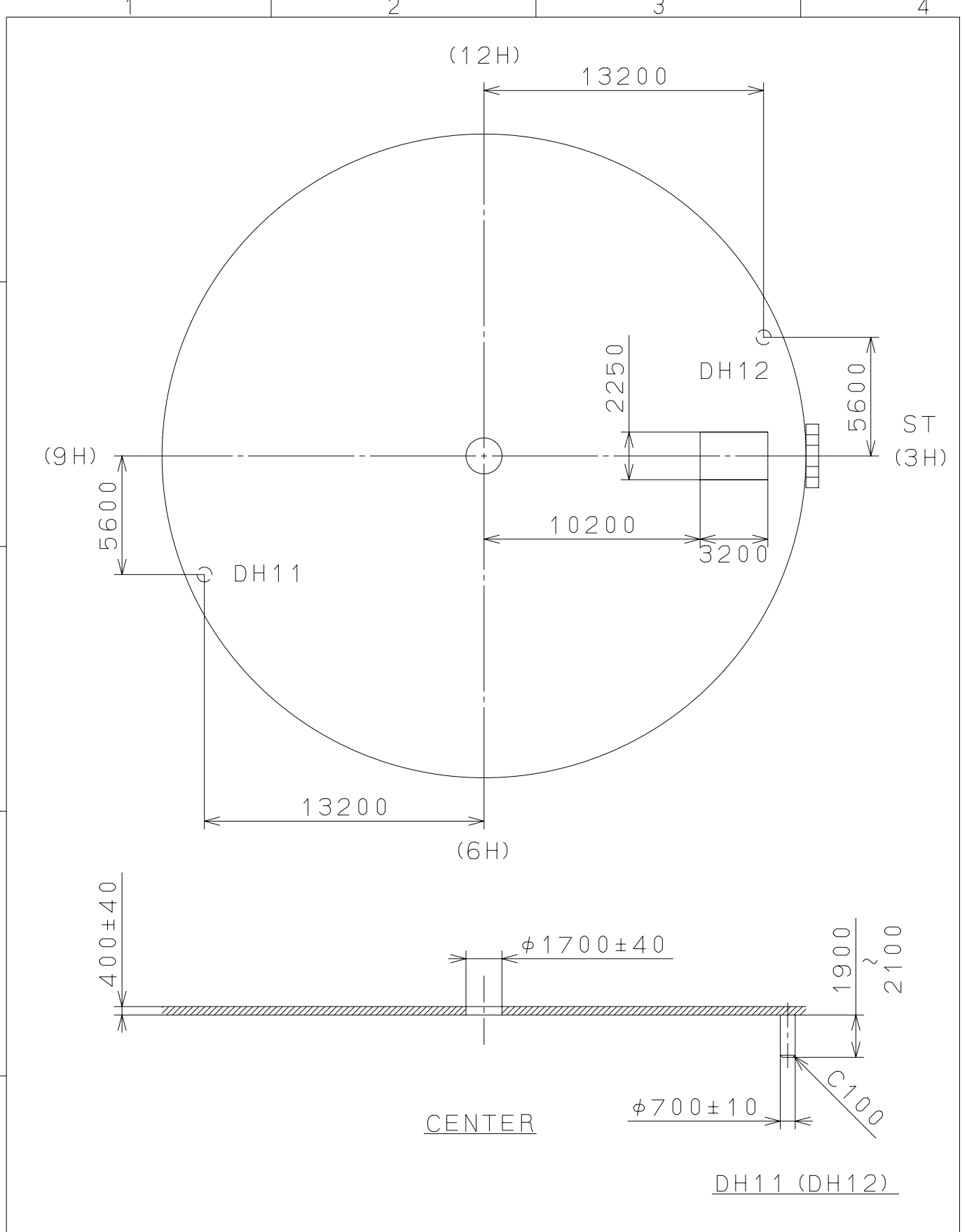


2007/03/16 (09:54:24)

This drawing is provisional and subject to our reconfirmation and/or revision without notice.



△			Quantity		Cal. NO.:	2415-20A/-20P/-2AG
△			Unit	1 / 1000 mm	Parts No.:	
△			Scale	4 / 1	Name: Indications for Dial Drawing No.: 2415D000	
△			Date			
△			Drawn			
Mark	Date	Description	Appr.	Checked	M. Fukuda	
Alterations			Approved			
Material					Drawing No.: 2415D000	
Heat Treatment					MIYOTA CITIZEN WATCH CO., LTD. TOKYO, JAPAN	
Hardness						
Plating						