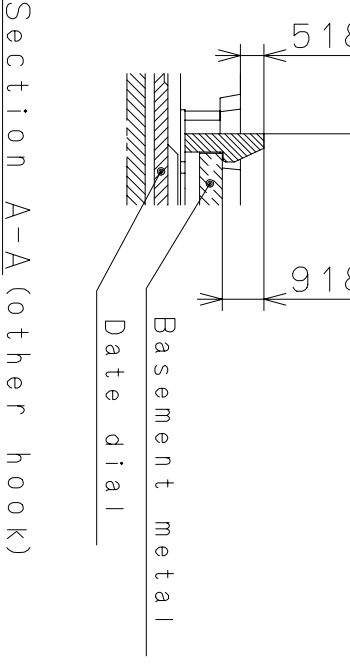
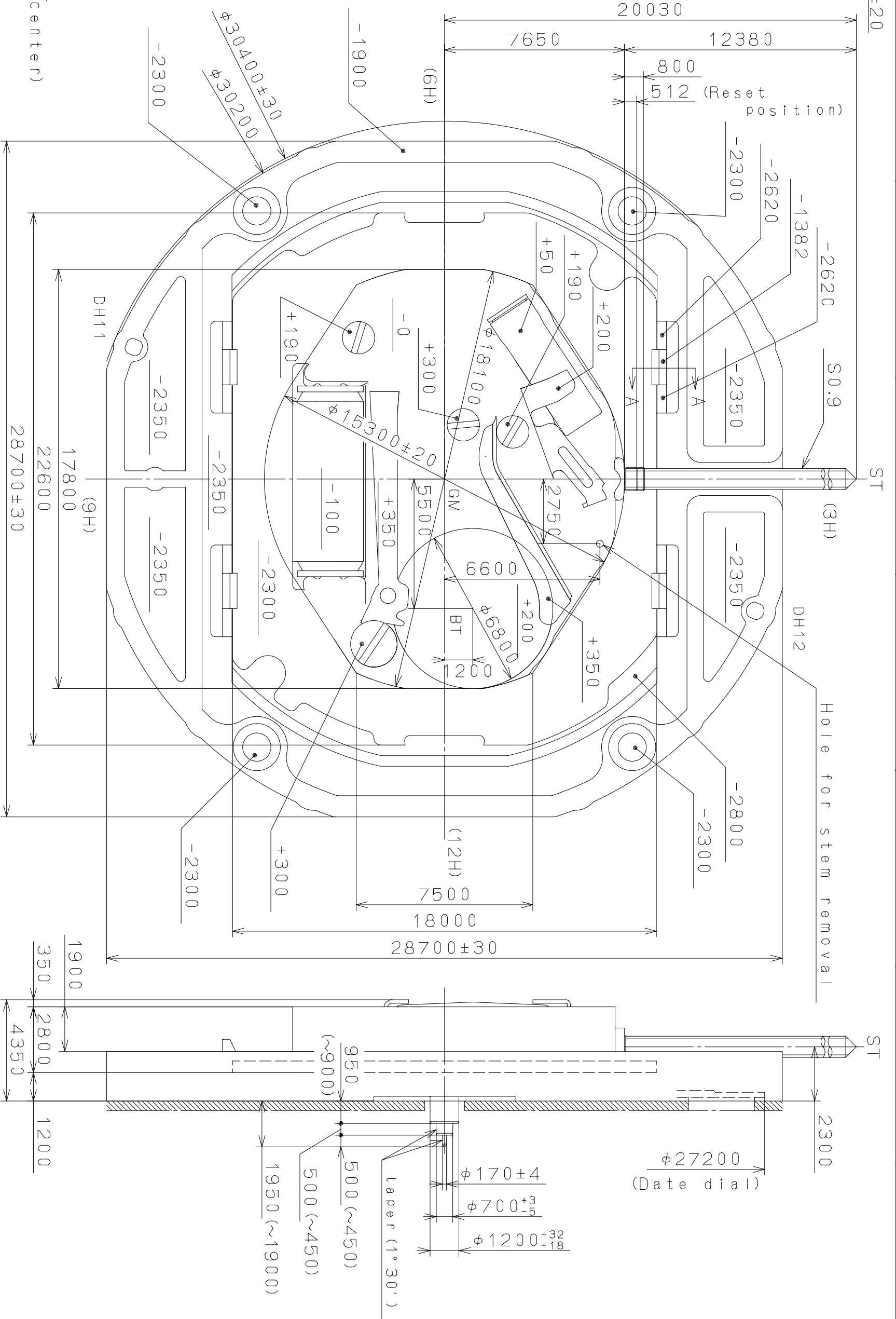


Coordinates		
記号	X	Y
GM	0	0
DH11	-5600	-13200
DH12	5600	13200



Mark	Date	Description	Appr.	Checked	Drawn	Name:
Δ		Alterations	Approved			M. Fukuda
Δ		Material				Frame for Case
Δ		Heat Treatment				Drawing No.: 2415C000
Δ		Hardness				
Δ		Plating				

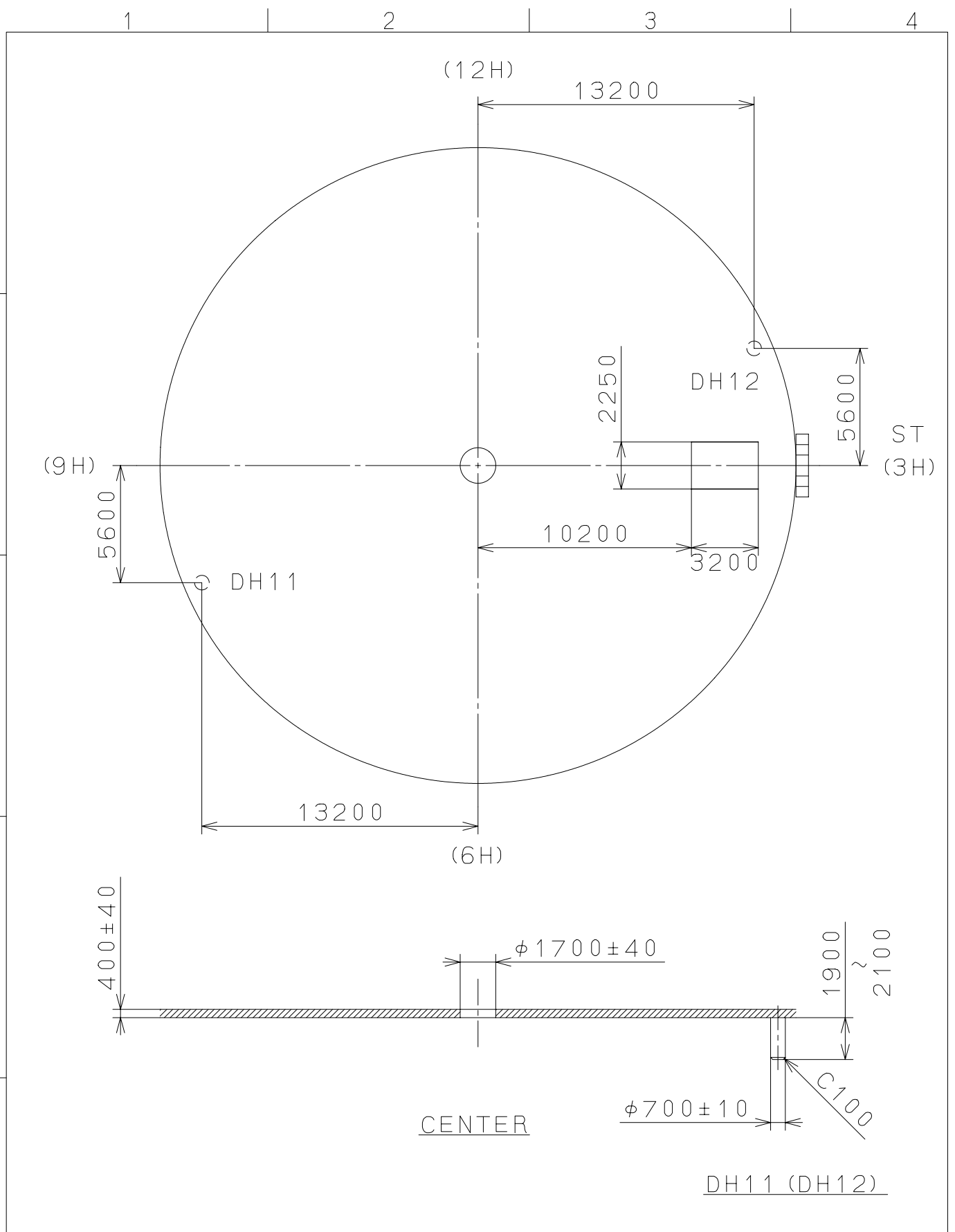
Quantity	Unit	Cal. NO.:
1	1/1000 mm	2415
Scale	6/1	Parts No.:
Date		Name:
		Frame for Case
Drawn		Drawing No.:
		2415C000
Checked		Material
		General Tolerances
Appr.		Dimensions
		Angles

Section A-A (other hook)

**MIYOTA**  
CITIZEN WATCH CO., LTD. TOKYO, JAPAN

2007/03/16 (09:54:24)

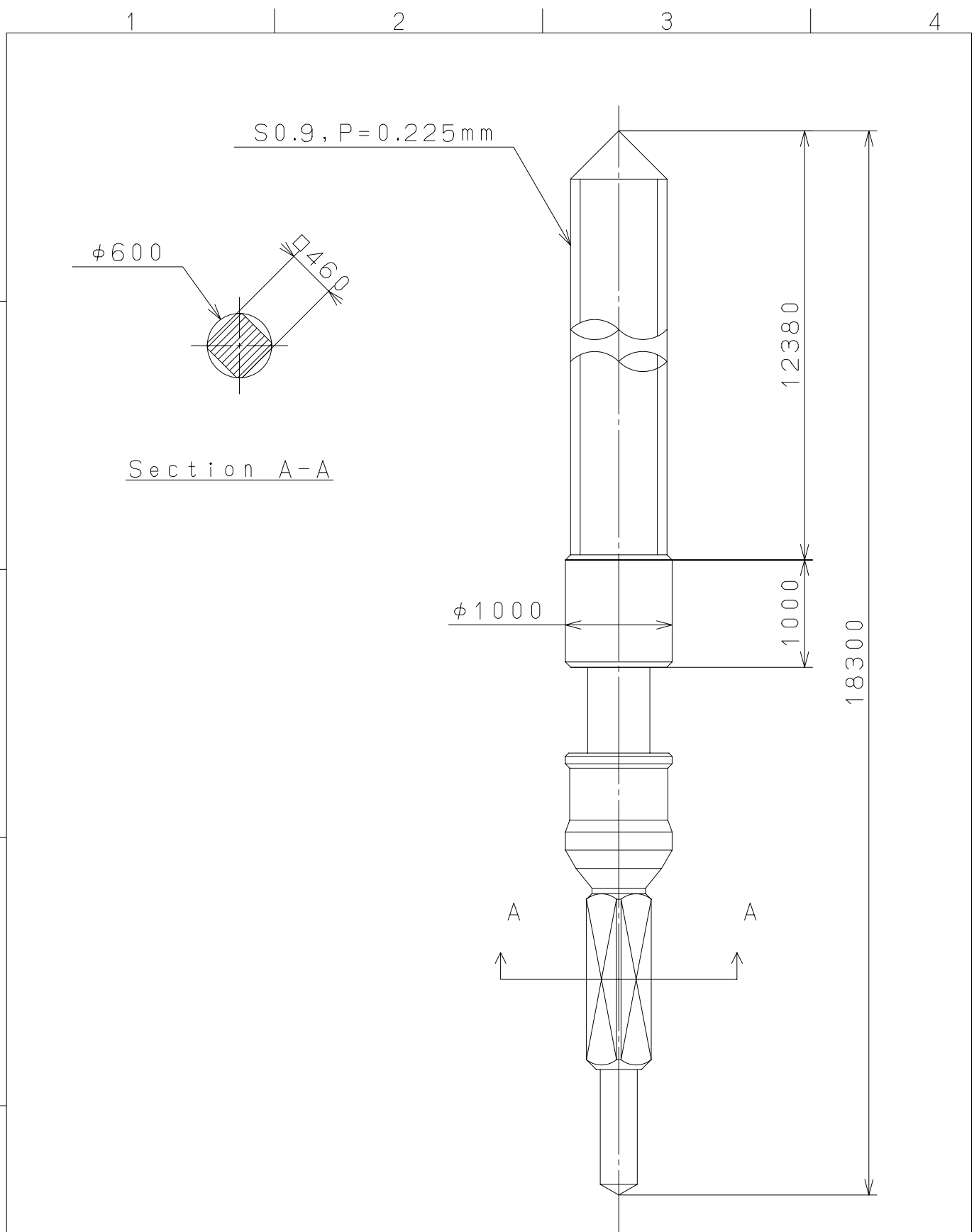
This drawing is provisional and subject to our reconfirmation and/or revision without notice.



△			Quantity		Cal.NO.:
△			Unit	1 / 1000 mm	2415-00A
△			Scale	4 / 1	Parts No.:
△			Date		
△			Drawn		
Mark	Date	Description	Appr.	Checked	Name:
		Alterations		Approved	M. Fukuda
Material					Indications for Dial
Heat Treatment					Drawing No.: 2415D000
Hardness				General Tolerances	<b>MIYOTA</b>
Plating				Dimensions	
				Angles	CITIZEN WATCH CO., LTD. TOKYO, JAPAN

2007/03/16 (09:59:29)

This drawing is provisional and subject to our reconfirmation and/or revision without notice.



△			Quantity		Cal.NO.:
△			Unit	1 / 1000 mm	
△			Scale	20 / 1	Parts No.:
△			Date		065-299
△			Drawn		Name:
Mark	Date	Description	Appro.	Checked	T. Hiruta
Alterations			Approved	SETTING STEM	
Material				Drawing No.: 2990S000	
Heat Treatment				General Tolerances	
Hardness				Dimensions	
Plating				Angles	
				<b>MIYOTA</b>	
				CITIZEN WATCH CO., LTD. TOKYO, JAPAN	