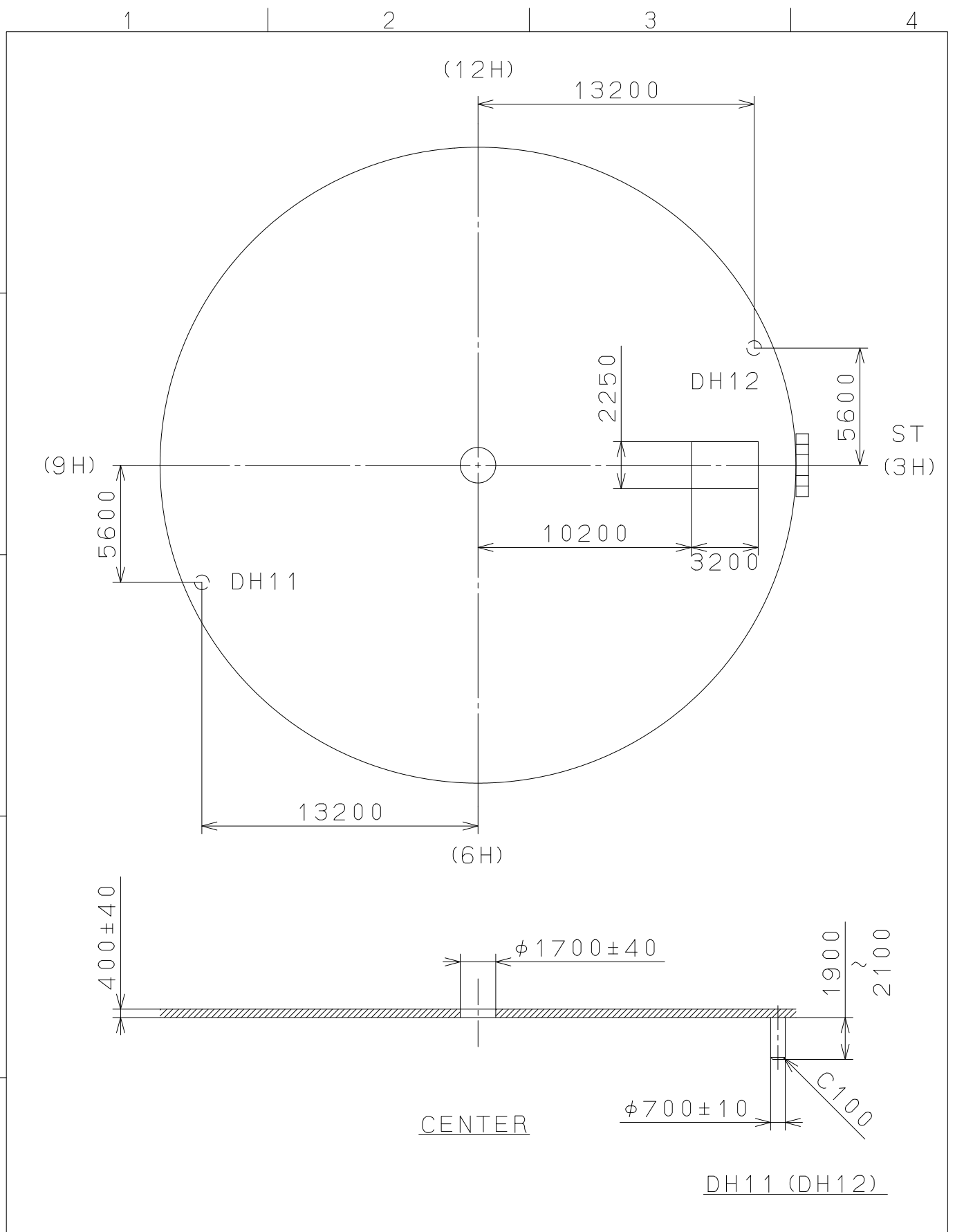


This drawing is provisional and subject to our reconfirmation and/or revision without notice.



△			Quantity		Cal.NO.:
△			Unit	1 / 1000 mm	2417-20A
△			Scale	4 / 1	Parts No.:
△			Date		
△			Drawn		
Mark	Date	Description	Appro.	Checked	E. Murakami
Alterations			Approved	Name:	
Material					Indications for Dial
Heat Treatment					Drawing No.: 2417D000
Hardness	General Tolerances				MIYOTA
Plating	Dimensions				
Angles				CITIZEN WATCH CO., LTD. TOKYO, JAPAN	