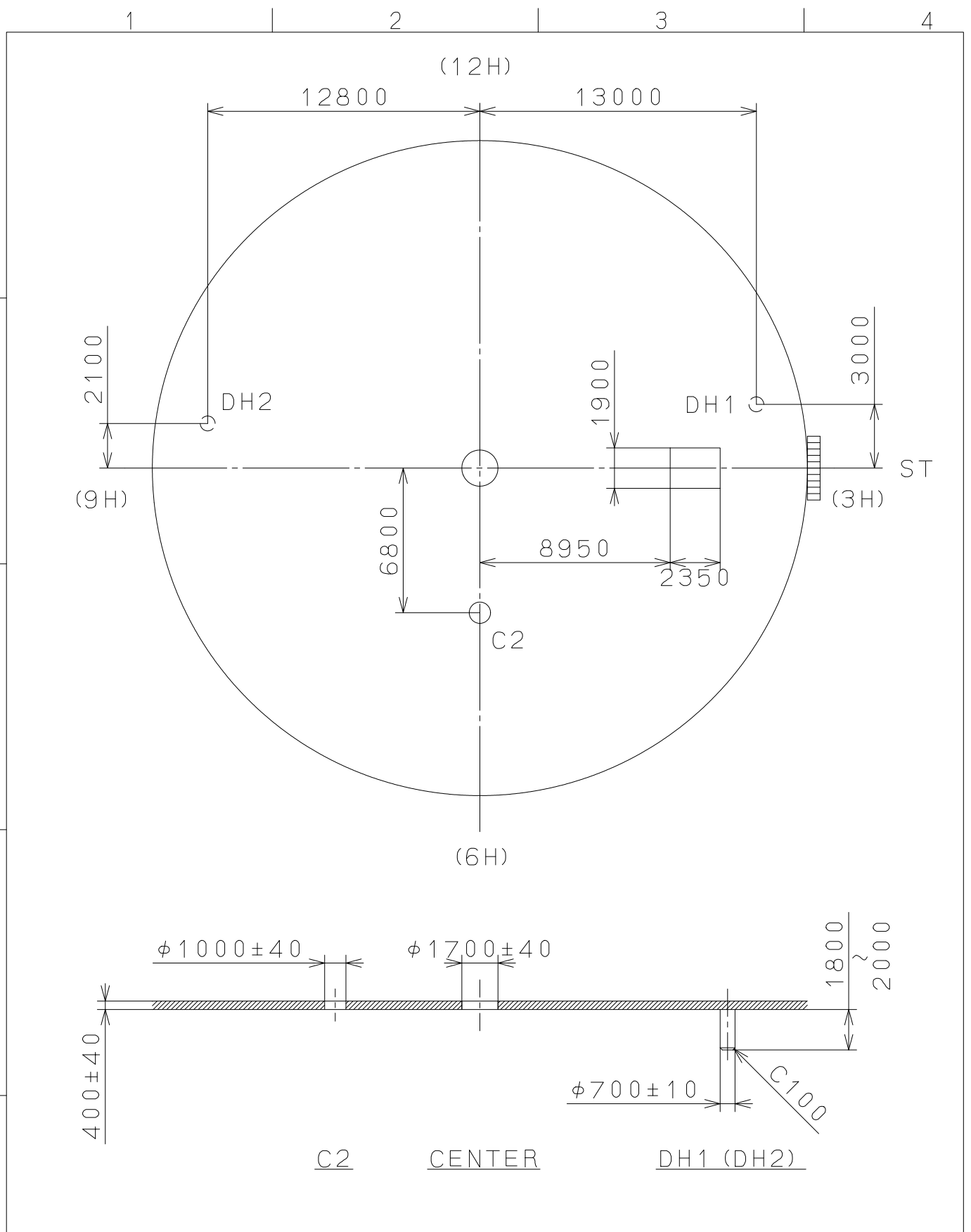


This drawing is provisional and subject to our reconfirmation and/or revision without notice.



△5			Quantity		Cal. NO.:	OT45-00Z
△4			Unit	1 / 1000 mm	Parts No.:	
△3			Scale	4 : 1		
△2			Date			
△1			Drawn			
Mark	Date	Description	Appro.	Checked	M. Kobayashi	Name:
Alterations			Approved			Indications for Dial
Material					Drawing No.: OT45D000	
Heat Treatment					General Tolerances	
Hardness					Dimensions	
Plating					Angles	
					MIYOTA CITIZEN WATCH CO., LTD. TOKYO, JAPAN	