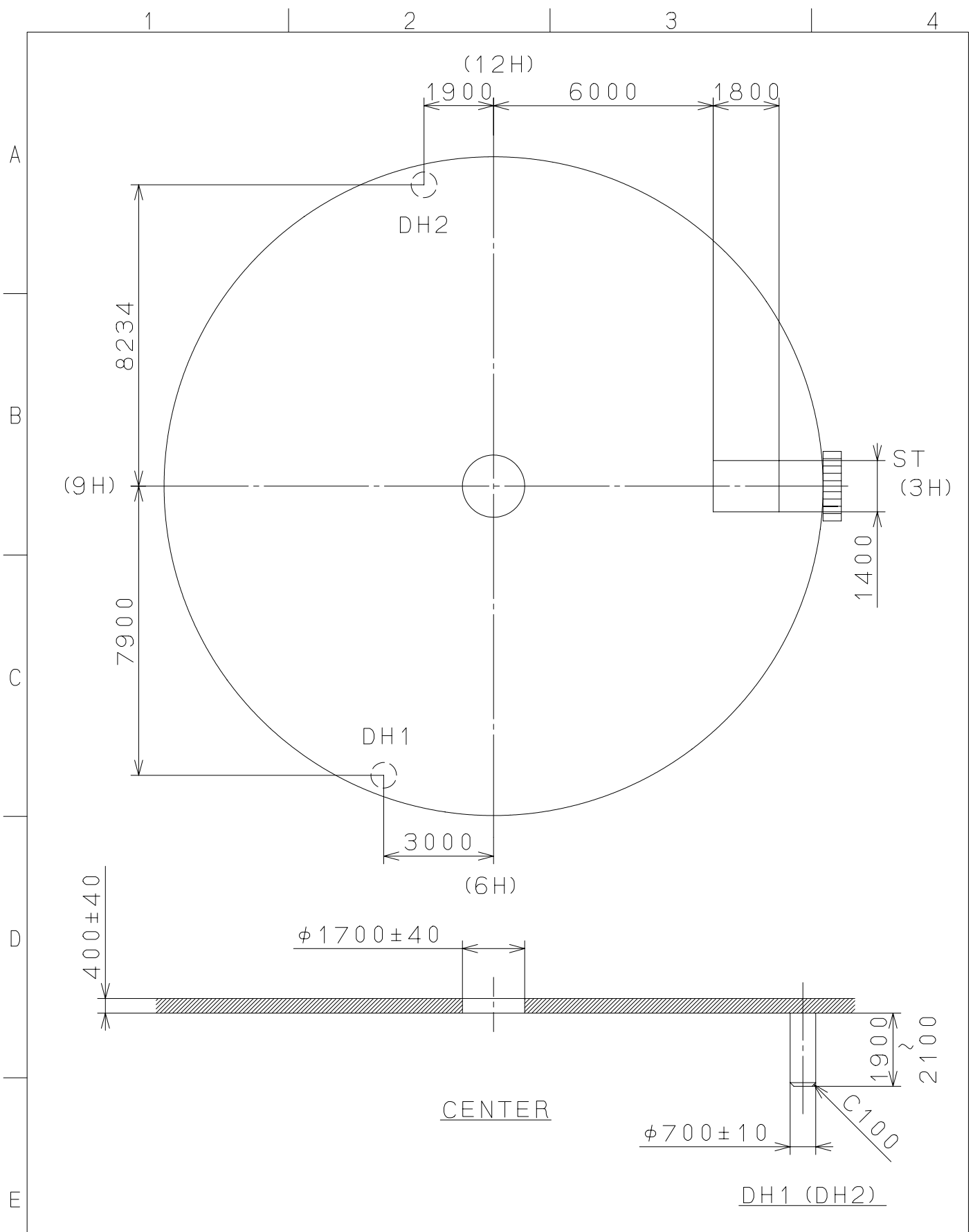


2005/02/15 (14:18:33)

This drawing is provisional and subject to our reconfirmation and/or revision without notice.



△			Quantity			Cal.NO.: 1L60-00A
△			Unit	1 / 1000 mm		
△			Scale	7 / 1		Parts No.:
△				Date	Name	
△			Drawn			
Mark	Date	Description	Appr.	Checked	M. Fukuda	Name:
Alterations			Approved			Indications for Dial
Material					Drawing No.: 1L60D000	
Heat Treatment					MIYOTA	
Hardness	General Tolerances					
Plating	Dimensions					
			Angles			