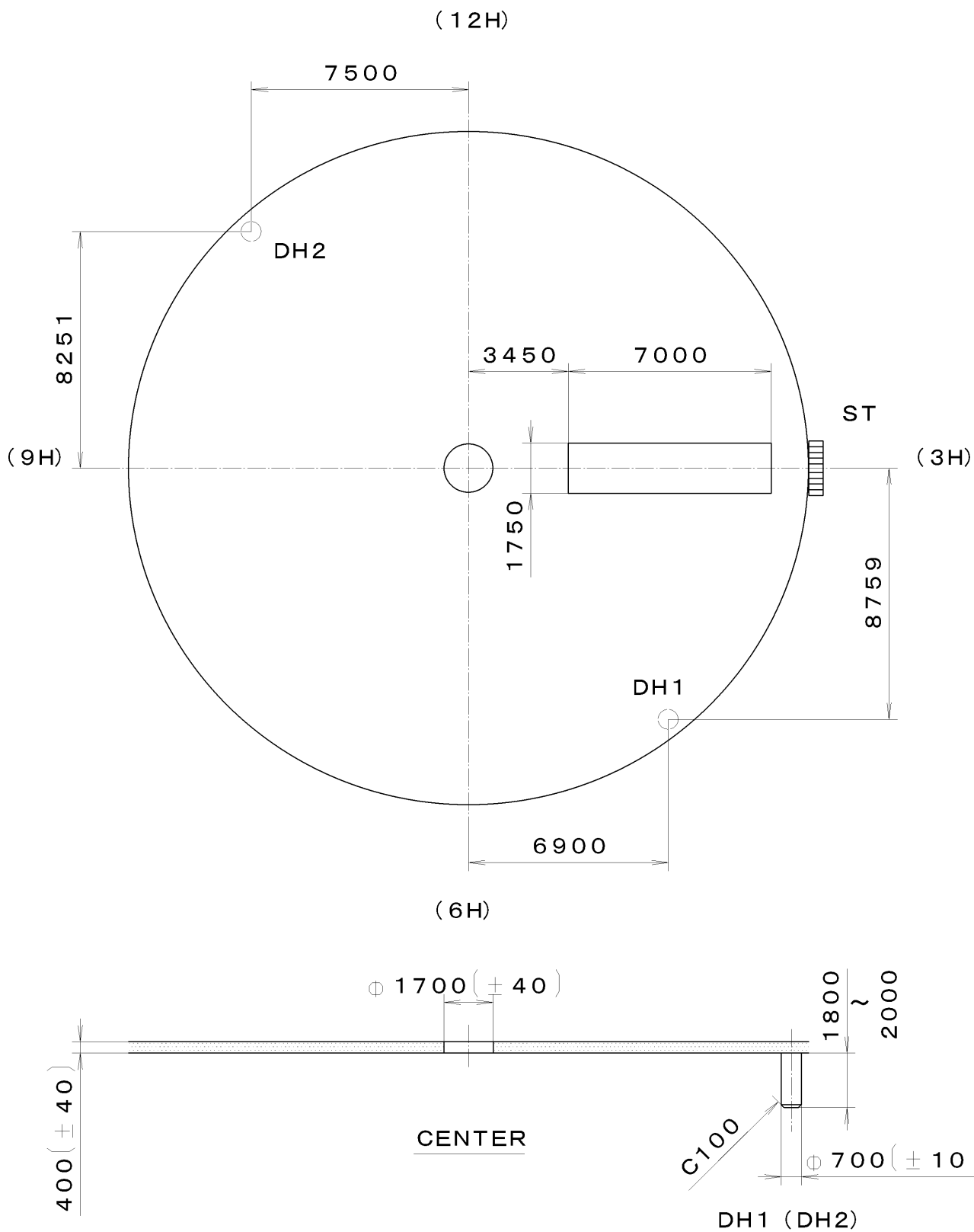


This drawing is provisional and subject to our reconfirmation and/or revision without notice.

*** T I P W 2S65-00A (01) *** (2100 1121) 04-03-10



7			Quantity		Cal. No. :	2S65-00A
6			Unit	1/1000 mm	Parts:	
5			Scale	5:1	Name:	Indications for Dial
4			Date		Drawing No. :	
3			Drawn			
2			Checked	M. Fukuda		
1			Approved			
Material			General Tolerances			
Heat Treatment			Dimensions			
Hardness			Angles			
Plating						