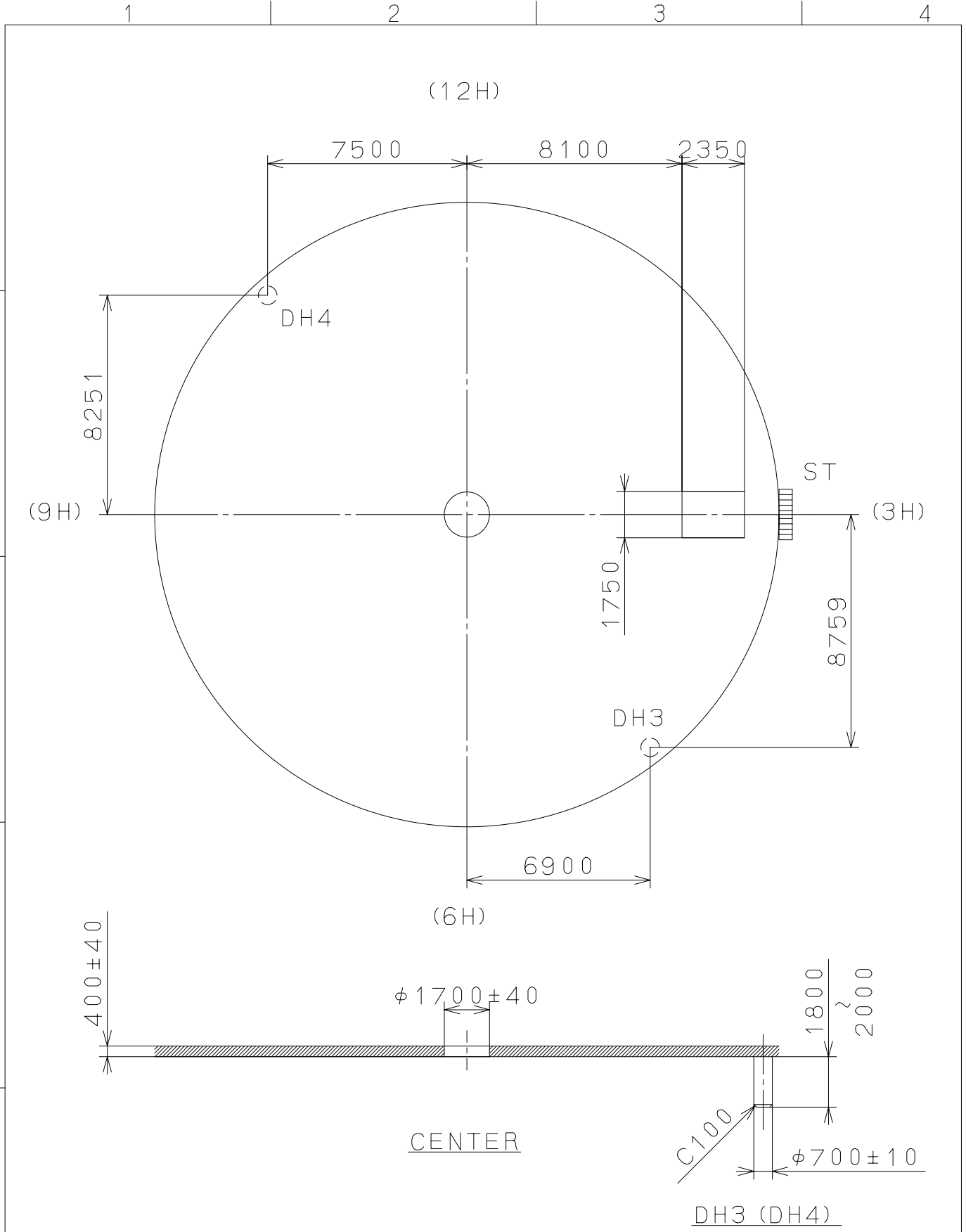




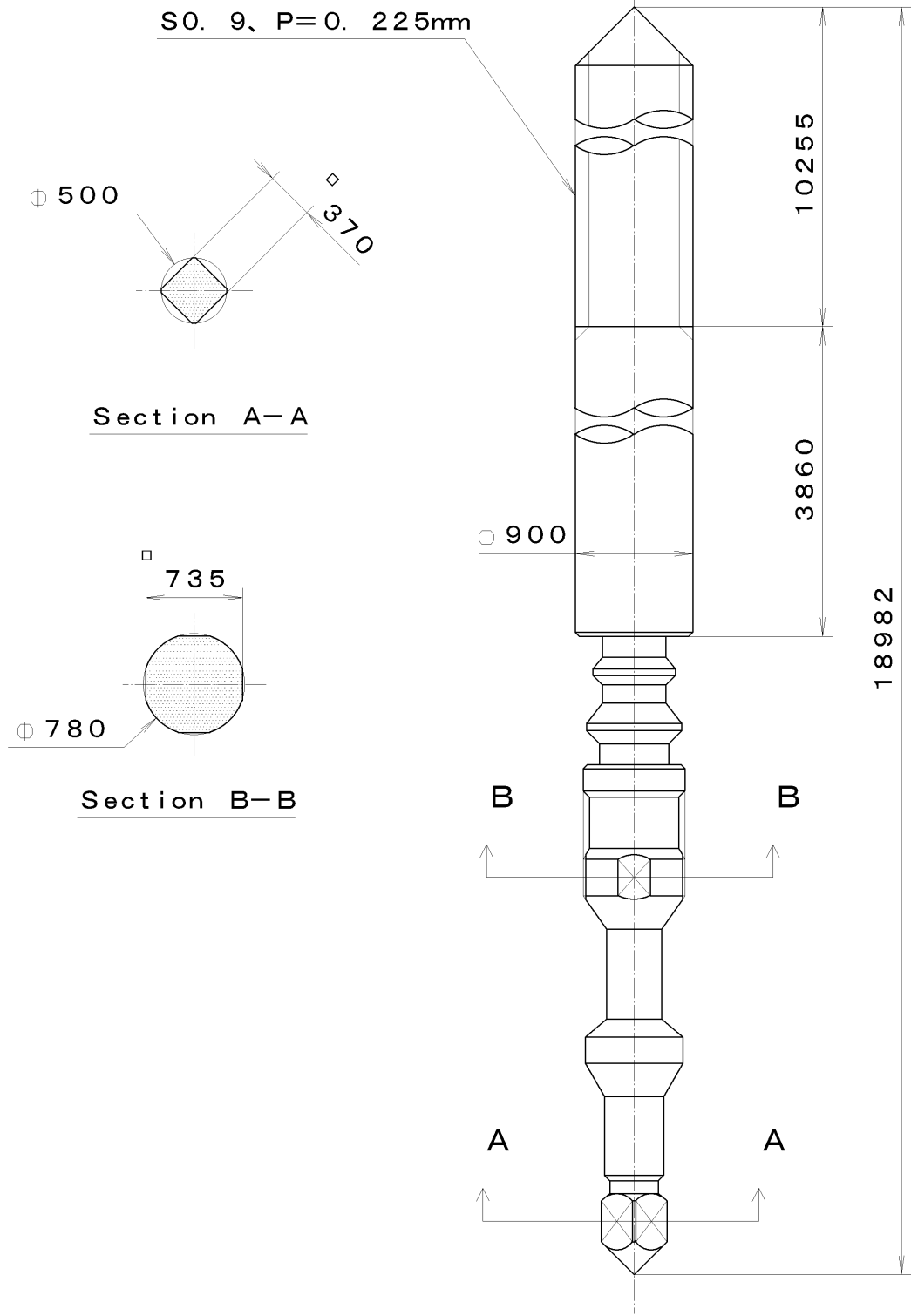
This drawing is provisional and subject to our reconfirmation and/or revision without notice.



△5			Quantity			Cal.NO.:GM15-00A
△4			Unit	1 / 1000 mm		
△3			Scale	5 / 1		Parts No.:
△2				Date	Name	
△1			Drawn			
Mark	Date	Description	Appr.	Checked	M. Fukuda	Name:
Alterations			Approved			Indications for Dial
Material					Drawing No.:GM15D000	
Heat Treatment					General Tolerances	
Hardness					Dimensions	
Plating					Angles	

This drawing is provisional and subject to our reconfirmation and/or revision without notice.

\*\*\* T I P W 065-543 (01) \*\*\* (2100 1121) 03-05-07



7			Quantity		Cal. No. :
6			Unit	1/1000 mm	
5			Scale	20:1	Parts:
4			Date		065-543
3			Drawn		
2			Checked	T. Hiruta	Name:
1			Approved		SETTING STEM
Material					Drawing No. : 5430S001
Heat Treatment			General Tolerances		<b>CITIZEN</b> WATCH CO., LTD. TOKYO, JAPAN
Hardness			Dimensions		
Plating			Angles		