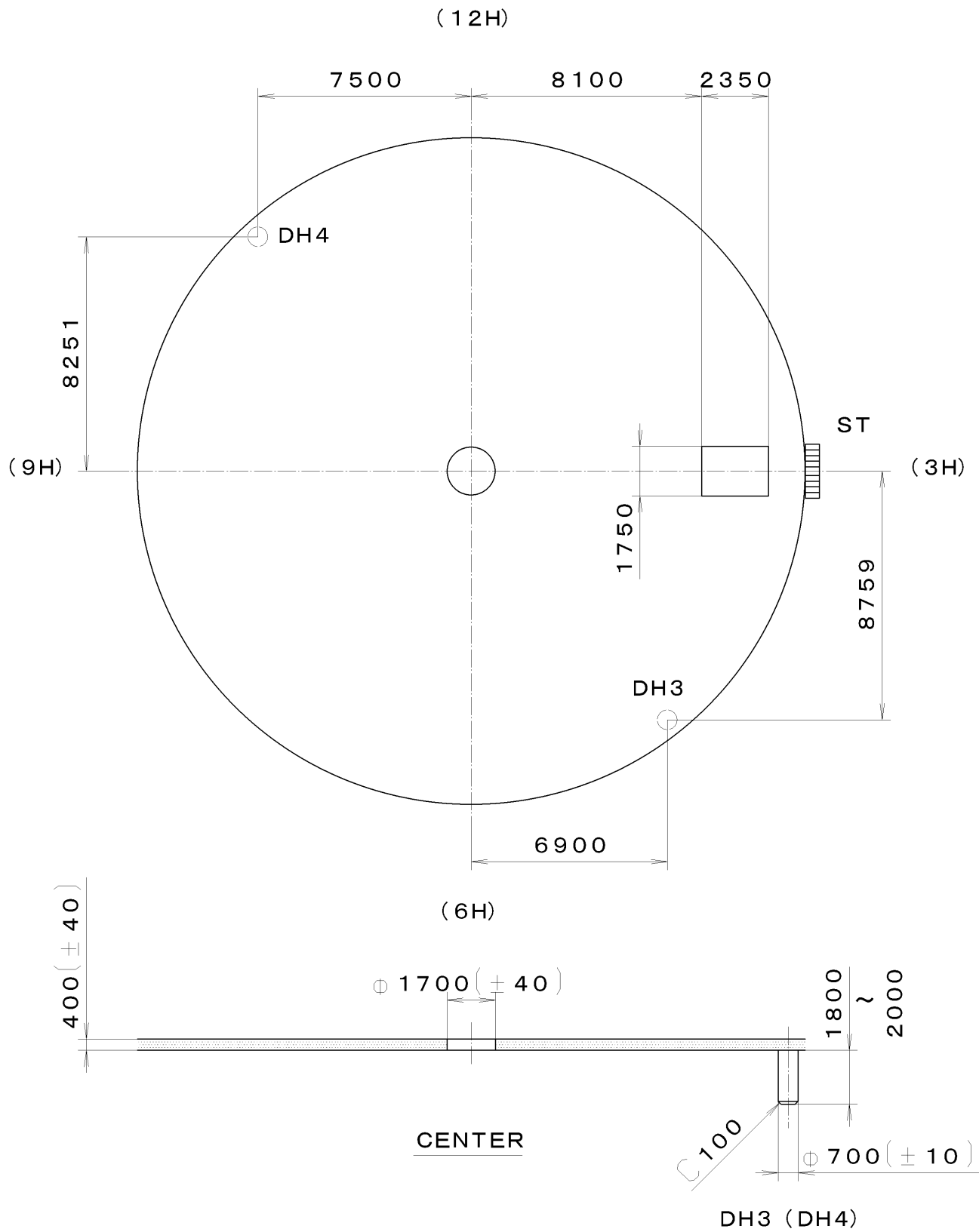


This drawing is provisional and subject to our reconfirmation and/or revision without notice.

\*\*\* T I P W GM10-00A (01) \*\*\* (2100 1121) 03-06-02



△7			Quantity		Cal. No. : GM10-S0A/S0K
△6			Unit	1/1000 mm	
△5			Scale	5:1	Parts:
△4			Date		
△3			Drawn		Name: Indiations for Dial
△2			Checked	M. Fukuda	
△1			Approved		Drawing No. : GM10D000
Material					<b>MIYOTA</b> CITIZEN WATCH CO.,LTD.
Heat Treatment			General Tolerances		
Hardness			Dimensions		
Plating			Angles		