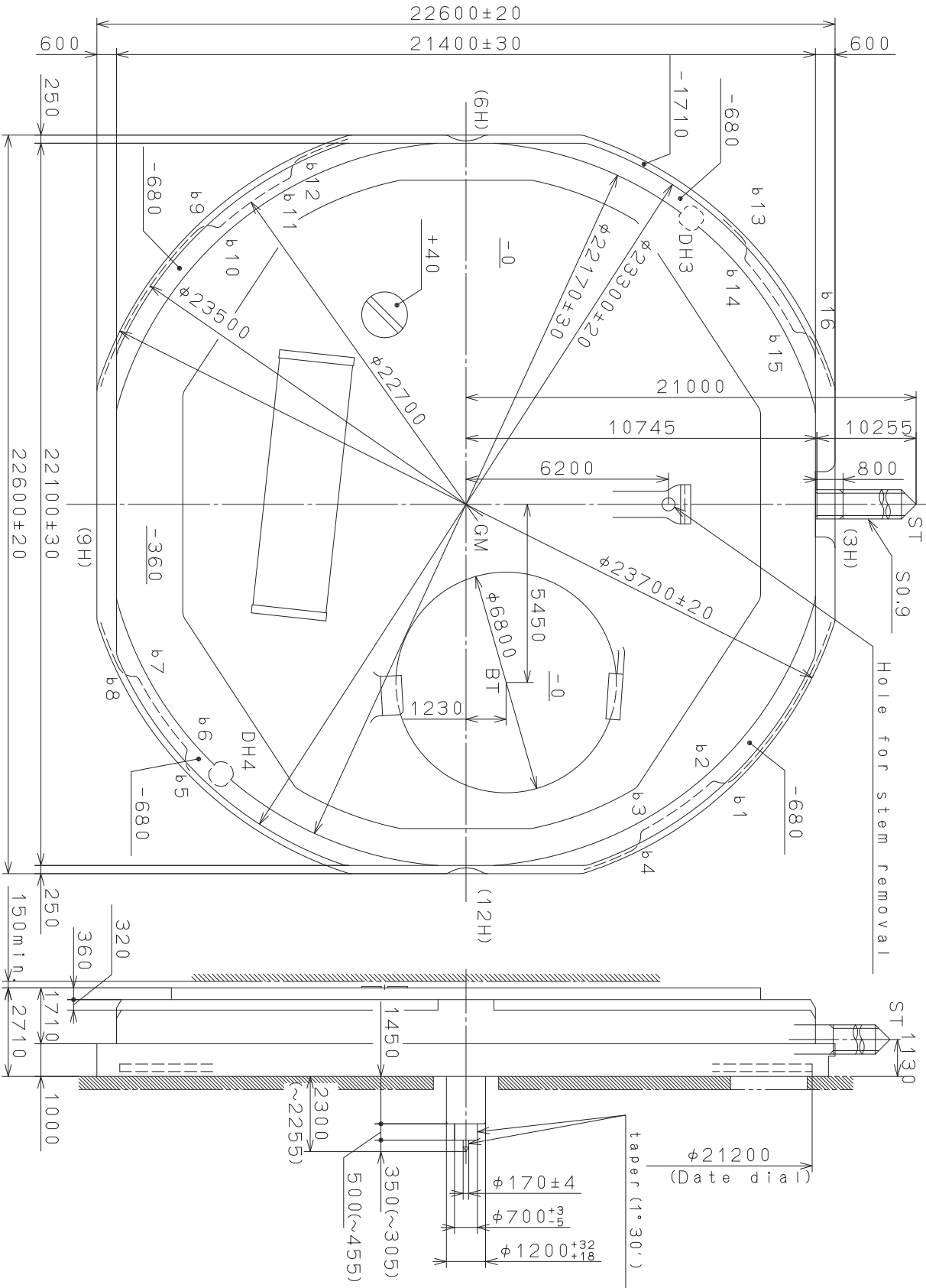


This drawing is provisional and subject to our reconfirmation and/or revision without notice.

Coordinates			
Mark	X	Y	R
GM	0	0	—
DH3	-8759	6900	—
DH4	8251	-7500	—
b1	7996	7871	530
b2	8624	7608	150
b3	10099	5501	150
b4	10131	4822	530
b5	7803	-8063	530
b6	7535	-8688	150
b7	5416	-10145	150
b8	4736	-10171	530
b9	-7996	-7871	530
b10	-8624	-7608	150
b11	-10099	-5501	150
b12	-10131	-4822	530
b13	-7803	8063	530
b14	-7535	8688	150
b15	-5416	10145	150
b16	-4736	10171	530



Section b1~b16

Quantity	Unit	Scale	Parts No.:	Cal. NO.:
1	1/1000 mm	8 : 1		GM13

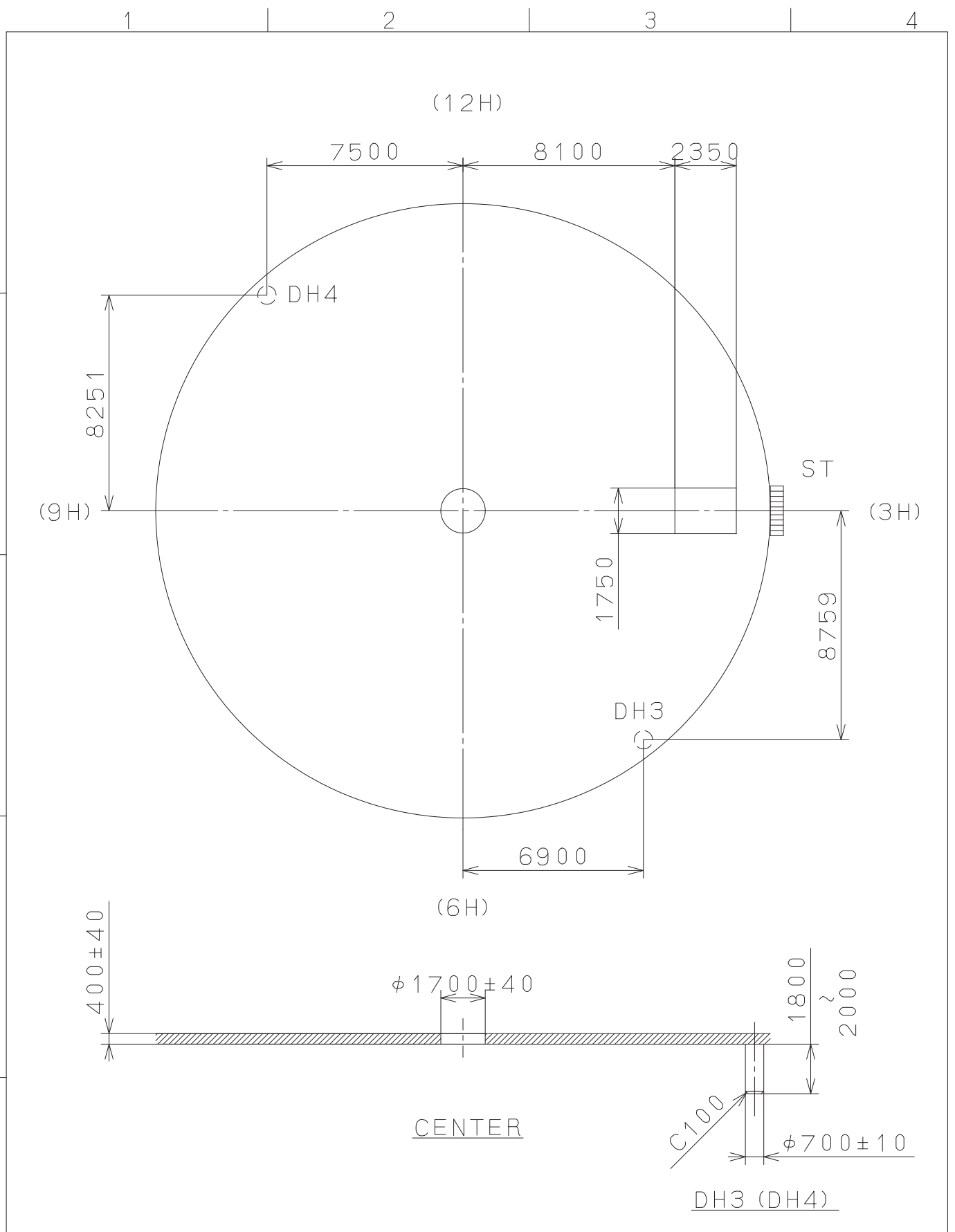
Material	Heat Treatment	Hardness	Plating	General Tolerances	Dimensions	Angles

Mark	Date	Description	Appr.	Checked	Name:
Δ					M. Kobayashi

Alterations	Approved	Frame for Case
		Drawing No.: GM13C000

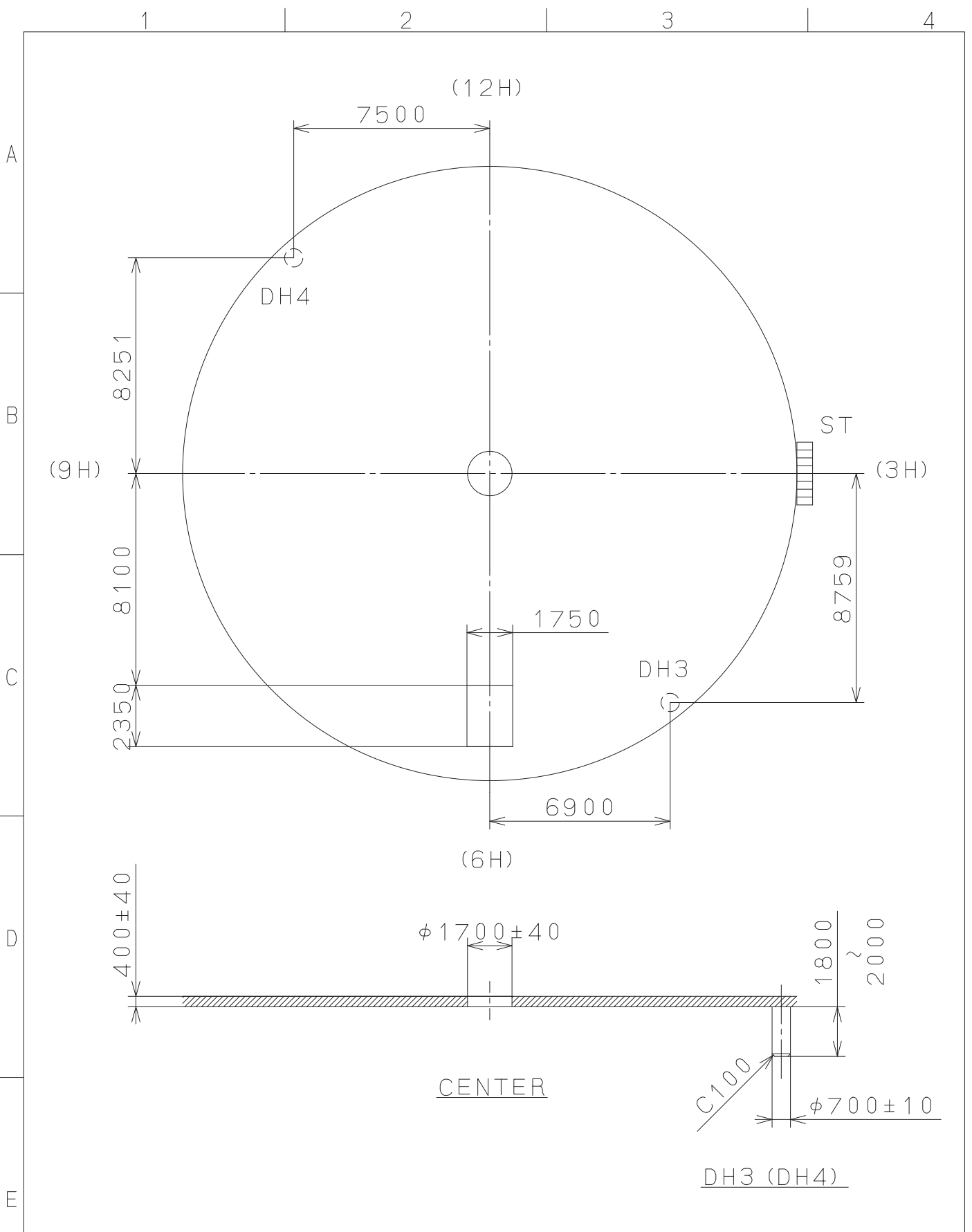
Drawing No.: GM13C000  
 CITIZEN WATCH CO., LTD. TOKYO, JAPAN  
**MIYOTA**

This drawing is provisional and subject to our reconfirmation and/or revision without notice.



△5			Quantity		Cal. NO.:
△4			Unit	1 / 1000 mm	GM13-S0A
△3			Scale	5 : 1	Parts No.:
△2			Date		
△1			Drawn		
Mark	Date	Description	Appr.	Checked	M. Kobayashi
Alterations			Approved	Name:	
Material					Drawing No.: GM13D000
Heat Treatment	General Tolerances				<b>MIYOTA</b>
Hardness	Dimensions				
Plating	Angles				
					CITIZEN WATCH CO., LTD. TOKYO, JAPAN

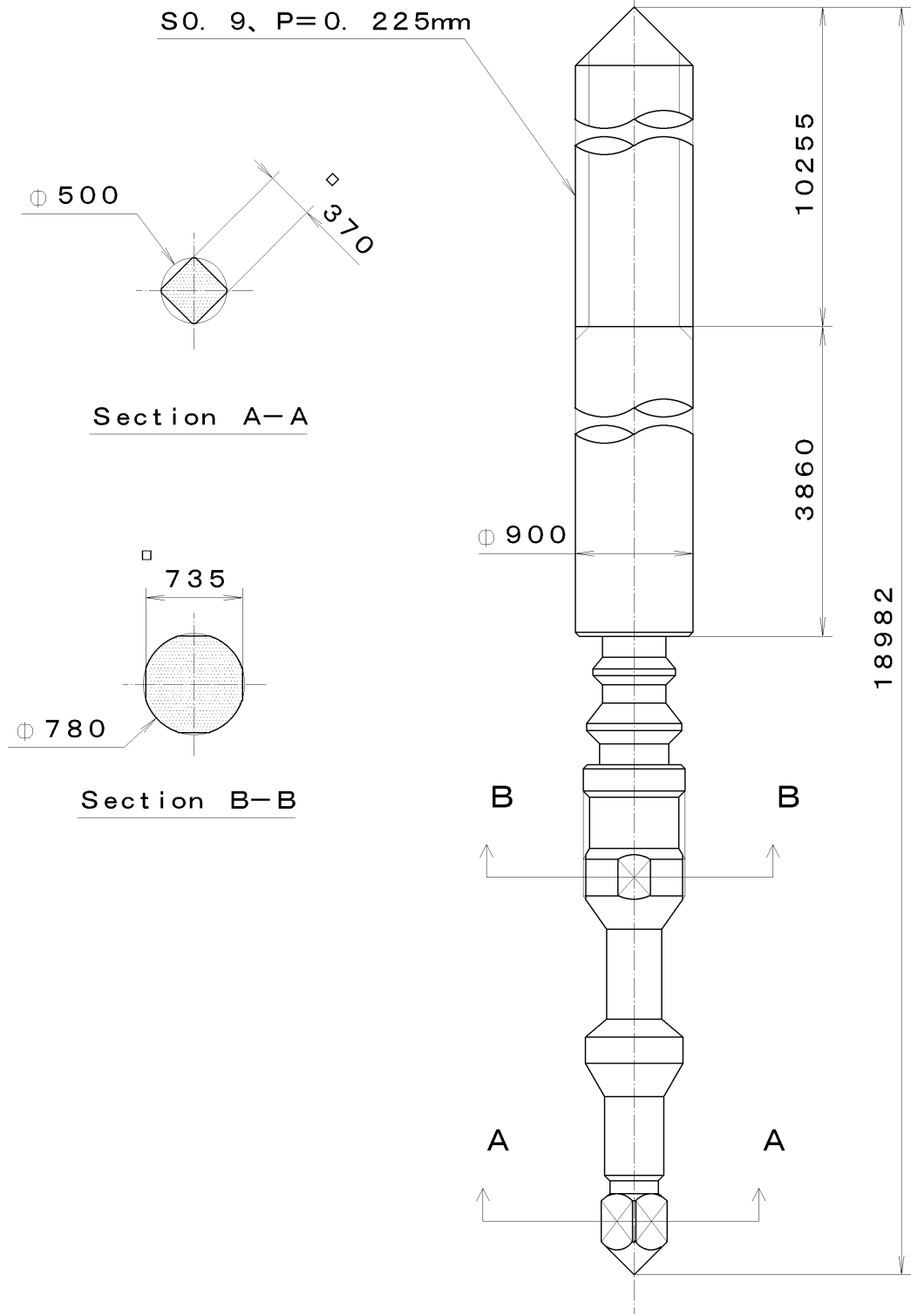
This drawing is provisional and subject to our reconfirmation and/or revision without notice.



△5			Quantity		Cal. NO.:
△4			Unit	1 / 1000 mm	GM13-S0Z
△3			Scale	5 : 1	Parts No.:
△2			Date		
△1			Drawn		
Mark	Date	Description	Appro.	Checked	M. Kobayashi
Alterations			Approved	Name:	
Material					Indications for Dial
Heat Treatment					Drawing No.: GM13D020
Hardness					<b>MIYOTA</b>
Plating					
					CITIZEN WATCH CO., LTD. TOKYO, JAPAN

This drawing is provisional and subject to our reconfirmation and/or revision without notice.

\*\*\* T I P W 065-543 (01) \*\*\* (2100 1121) 03-05-07



7			Quantity		Cal. No. :
6			Unit	1/1000 mm	
5			Scale	20:1	Parts:
4			Date		065-543
3			Drawn		
2			Checked	T. Hiruta	Name:
1			Approved		SETTING STEM
Material					Drawing No. : 5430S001
Heat Treatment			General Tolerances		<b>CITIZEN</b> WATCH CO., LTD. TOKYO, JAPAN
Hardness			Dimensions		
Plating			Angles		