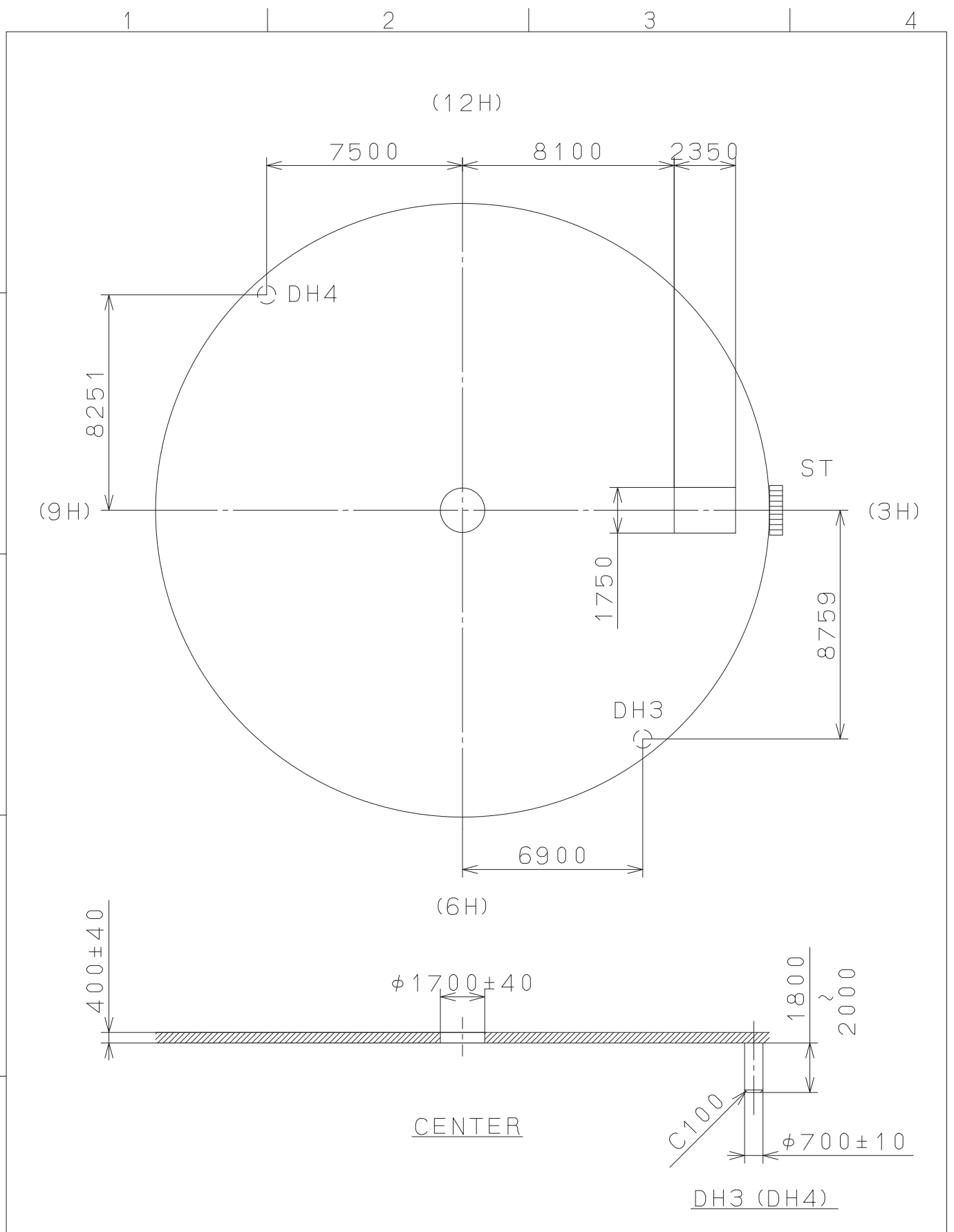
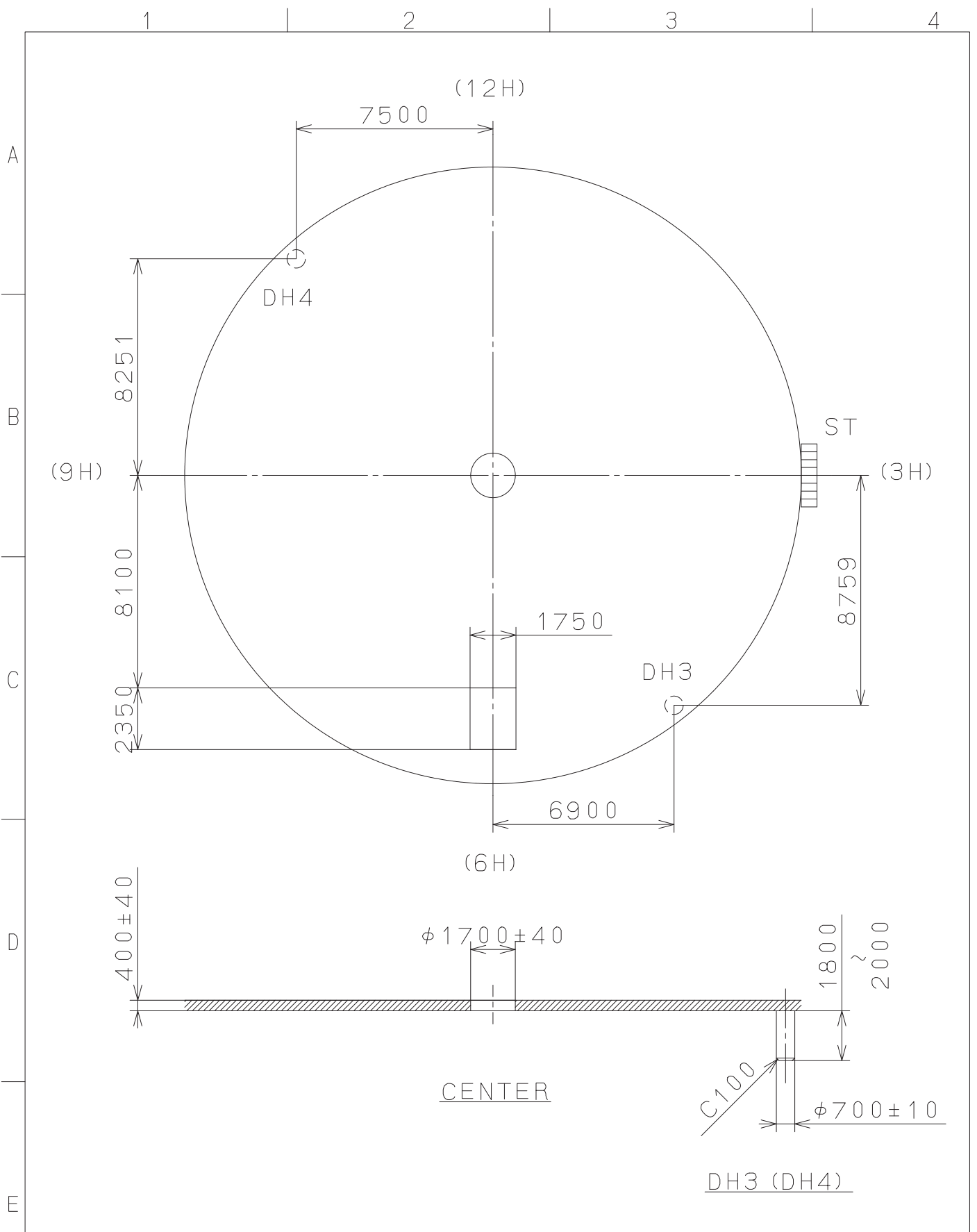


This drawing is provisional and subject to our reconfirmation and/or revision without notice.



⑤			Quantity		Cal. NO.:
④			Unit	1 / 1000 mm	GM13-S0A
③			Scale	5 : 1	Parts No.:
②			Date		
①			Drawn		
Mark	Date	Description	Appro.	Checked	Name:
		Alterations		Approved	Indications for Dial
Material					Drawing No.: GM13D000
Heat Treatment			General Tolerances		
Hardness			Dimensions		
Plating			Angles		
					CITIZEN WATCH CO., LTD. TOKYO, JAPAN

This drawing is provisional and subject to our reconfirmation and/or revision without notice.



⑤			Quantity		Cal. NO.:
④			Unit	1 / 1000 mm	GM13-S0Z
③			Scale	5 : 1	Parts No.:
②			Date		
①			Drawn		
Mark	Date	Description	Appr.	Checked	Name:
		Alterations	Approved	M. Kobayashi	Indications for Dial
Material					Drawing No.: GM13D020
Heat Treatment					MIYOTA
Hardness					
Plating					
					CITIZEN WATCH CO., LTD. TOKYO, JAPAN