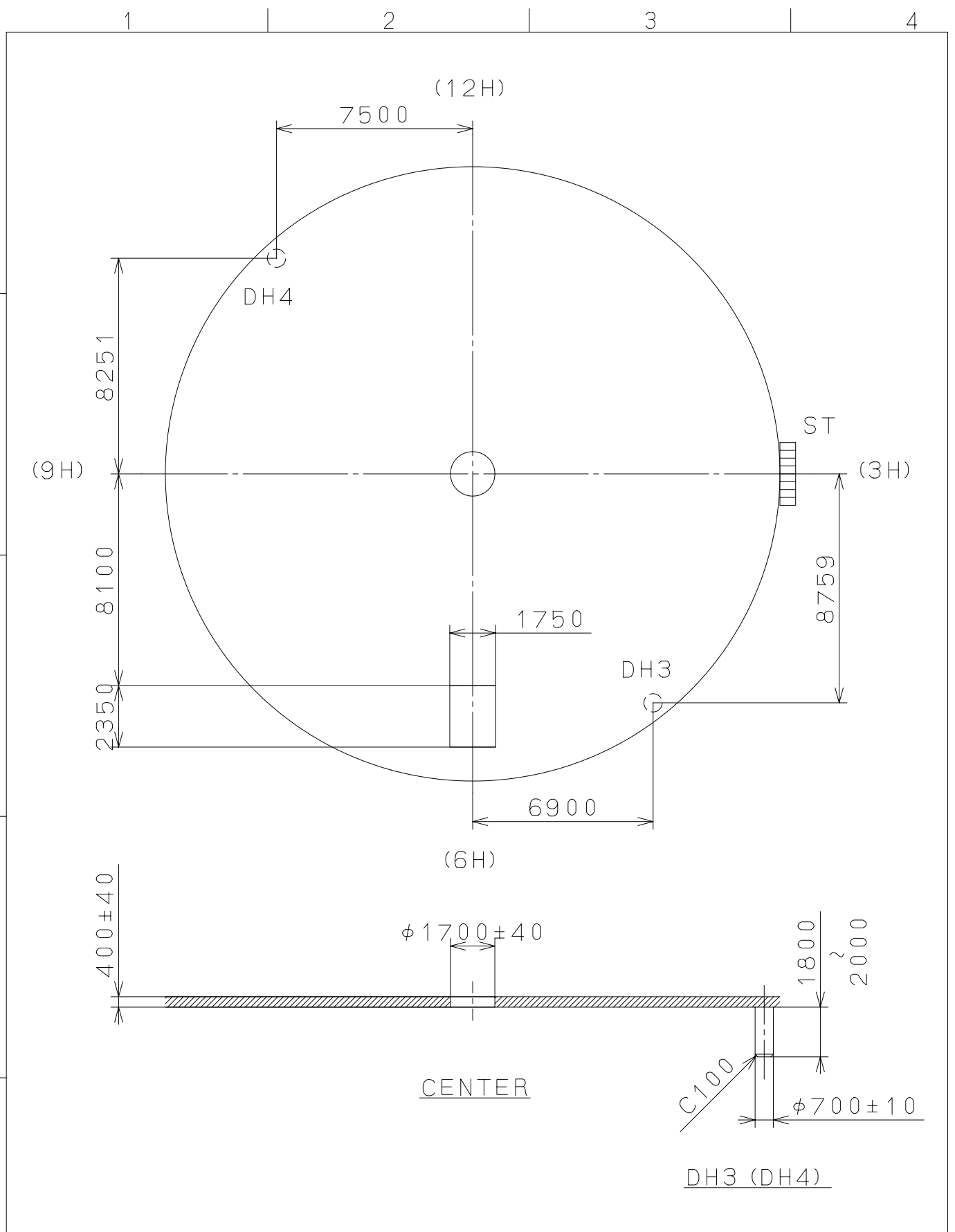


2007/06/13 (10:46:21)

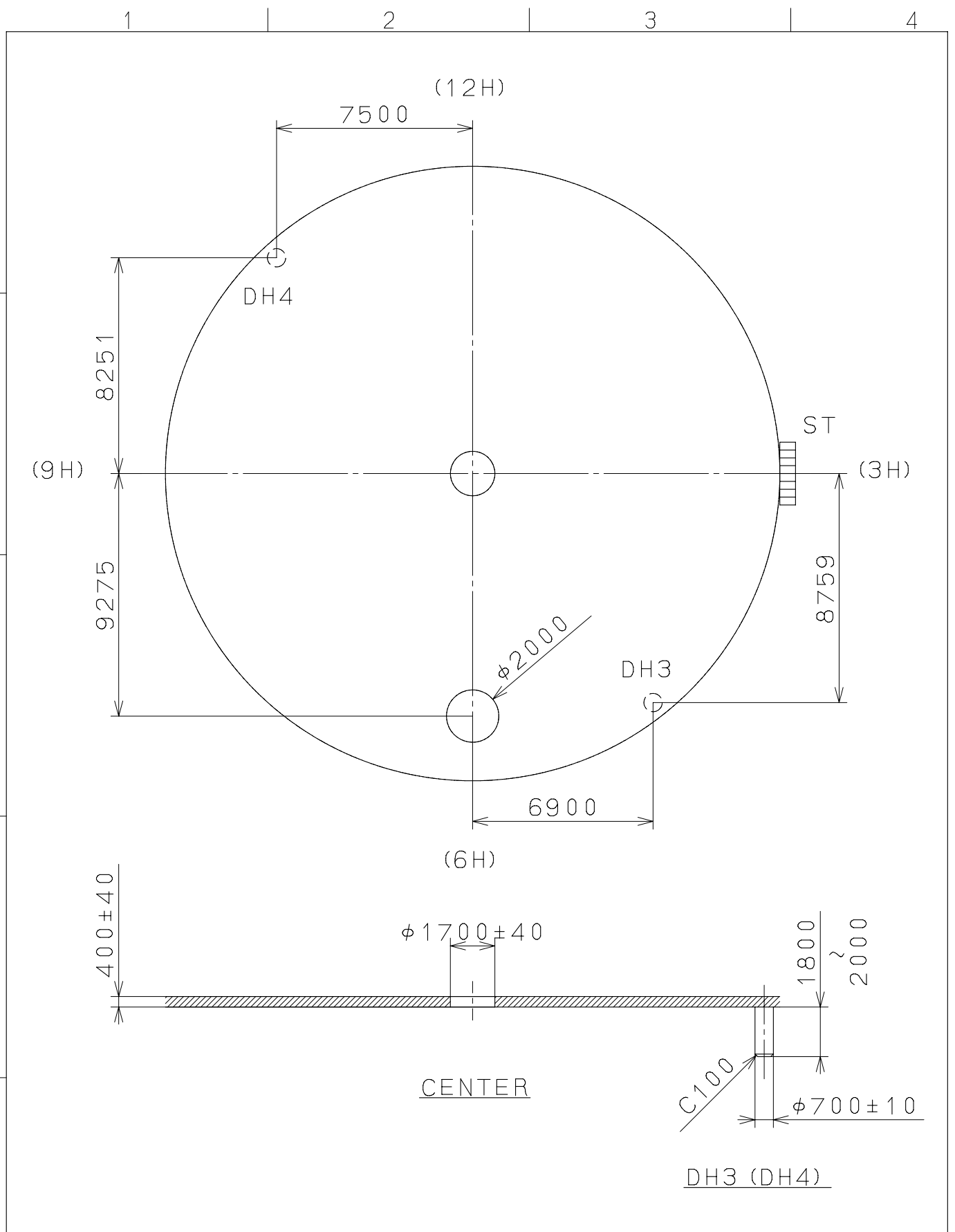
This drawing is provisional and subject to our reconfirmation and/or revision without notice.



△5			Quantity		Cal. NO.	GM10-S0U
△4			Unit	1 / 1000 mm	Parts No.:	
△3			Scale	5 : 1		
△2			Date			
△1			Drawn			
Mark	Date	Description	Appr.	Checked	M. Fukuda	Name:
Alterations			Approved			Indications for Dial
Material					Drawing No.: GM10D020	
Heat Treatment					<b>MIYOTA</b> CITIZEN WATCH CO., LTD. TOKYO, JAPAN	
Hardness						
Plating						

2008/01/25 (07:58:47)

This drawing is provisional and subject to our reconfirmation and/or revision without notice.



△			Quantity		Cal. NO.	GM10-S0U
△			Unit	1 / 1000 mm	Parts No.:	
△			Scale	5 : 1	Name: Indications for Dial Drawing No.: GM10D030	
△			Date			
△			Drawn			
Mark	Date	Description	Appr.	Checked	N. Suzuki	
Alterations			Approved			
Material					 CITIZEN WATCH CO., LTD. TOKYO, JAPAN	
Heat Treatment						
Hardness						
Plating						