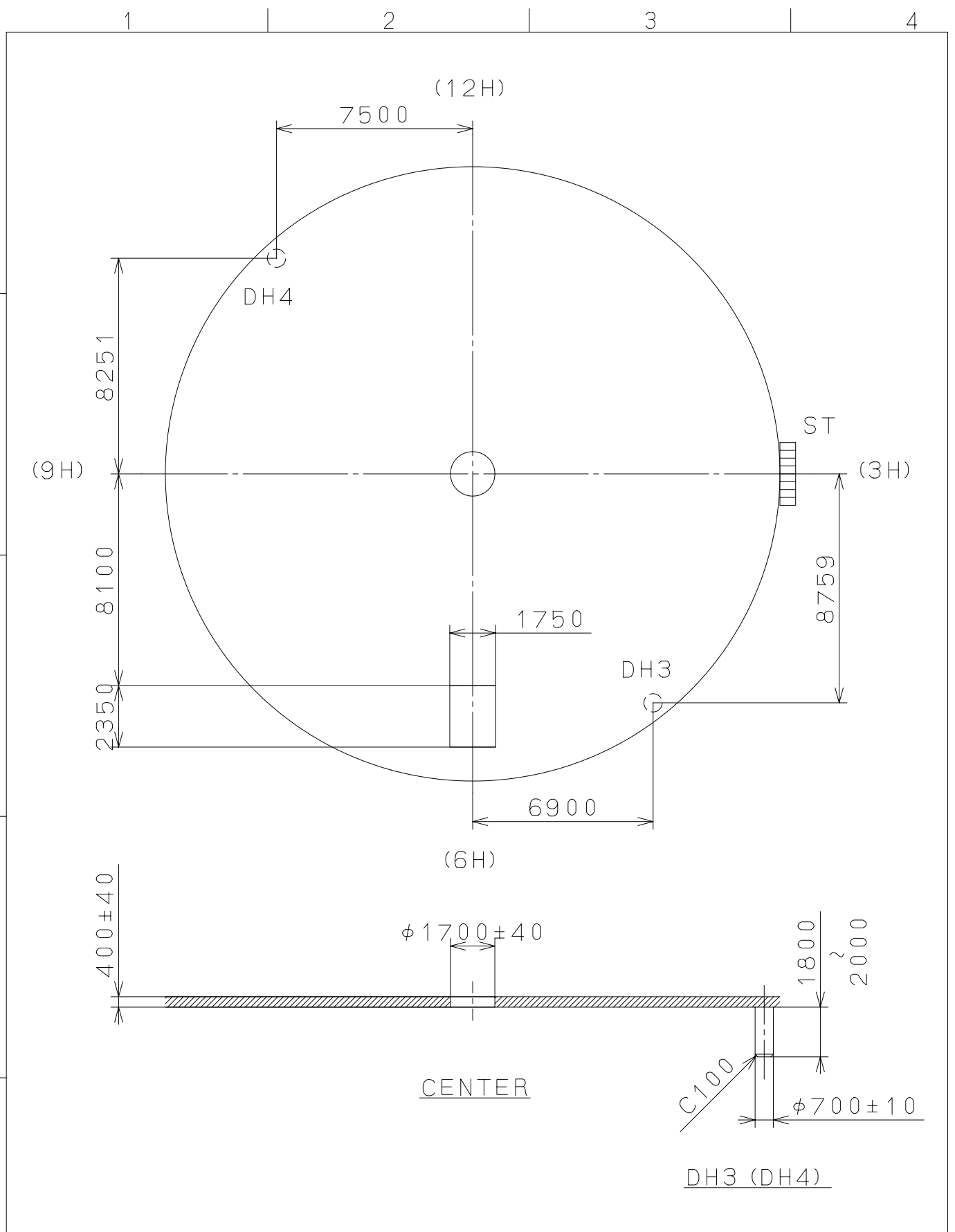


2007/06/13 (10:46:21)

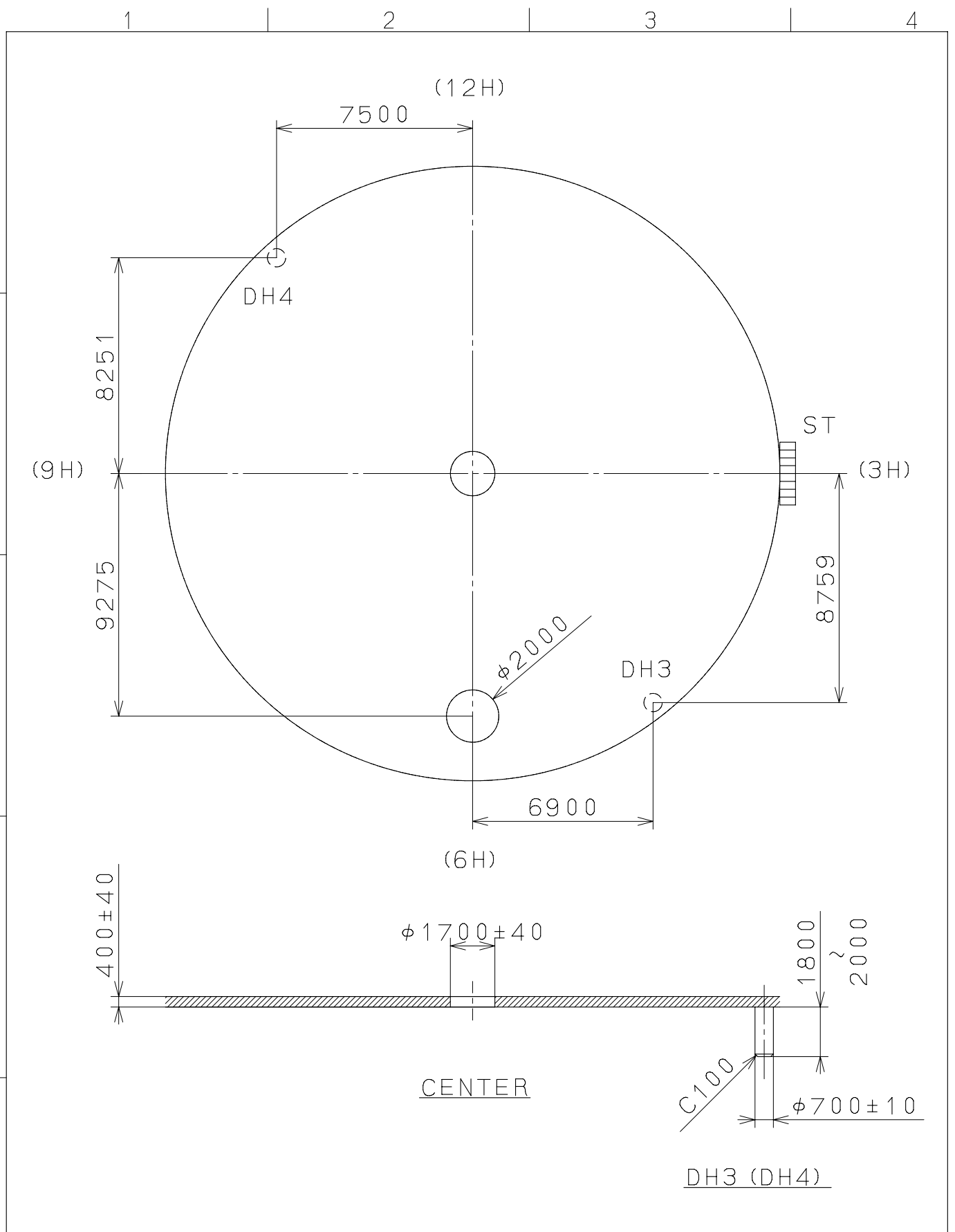
This drawing is provisional and subject to our reconfirmation and/or revision without notice.



△5			Quantity		Cal. NO. GM10-S0Z
△4			Unit	1 / 1000 mm	
△3			Scale	5 : 1	Parts No.:
△2			Date		
△1			Drawn		
Mark	Date	Description	Appr.	Checked	M. Fukuda
Alterations			Approved	Name:	
Material				Indications for Dial	
Heat Treatment				Drawing No.: GM10D020	
Hardness				MIYOTA	
Plating					
				CITIZEN WATCH CO., LTD. TOKYO, JAPAN	

2008/01/25 (07:58:47)

This drawing is provisional and subject to our reconfirmation and/or revision without notice.



△			Quantity		Cal. NO.
△			Unit	1 / 1000 mm	GM10-S0Z
△			Scale	5 : 1	Parts No.:
△			Date		
△			Drawn		
Mark	Date	Description	Appr.	Checked	Name:
		Alterations	Approved	N. Suzuki	Indications for Dial
Material					Drawing No.: GM10D030
Heat Treatment			General Tolerances		MIYOTA
Hardness			Dimensions		
Plating			Angles		
					CITIZEN WATCH CO., LTD. TOKYO, JAPAN