

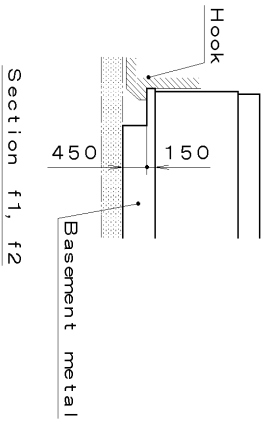
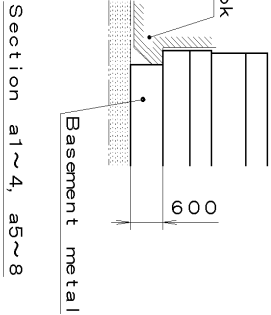
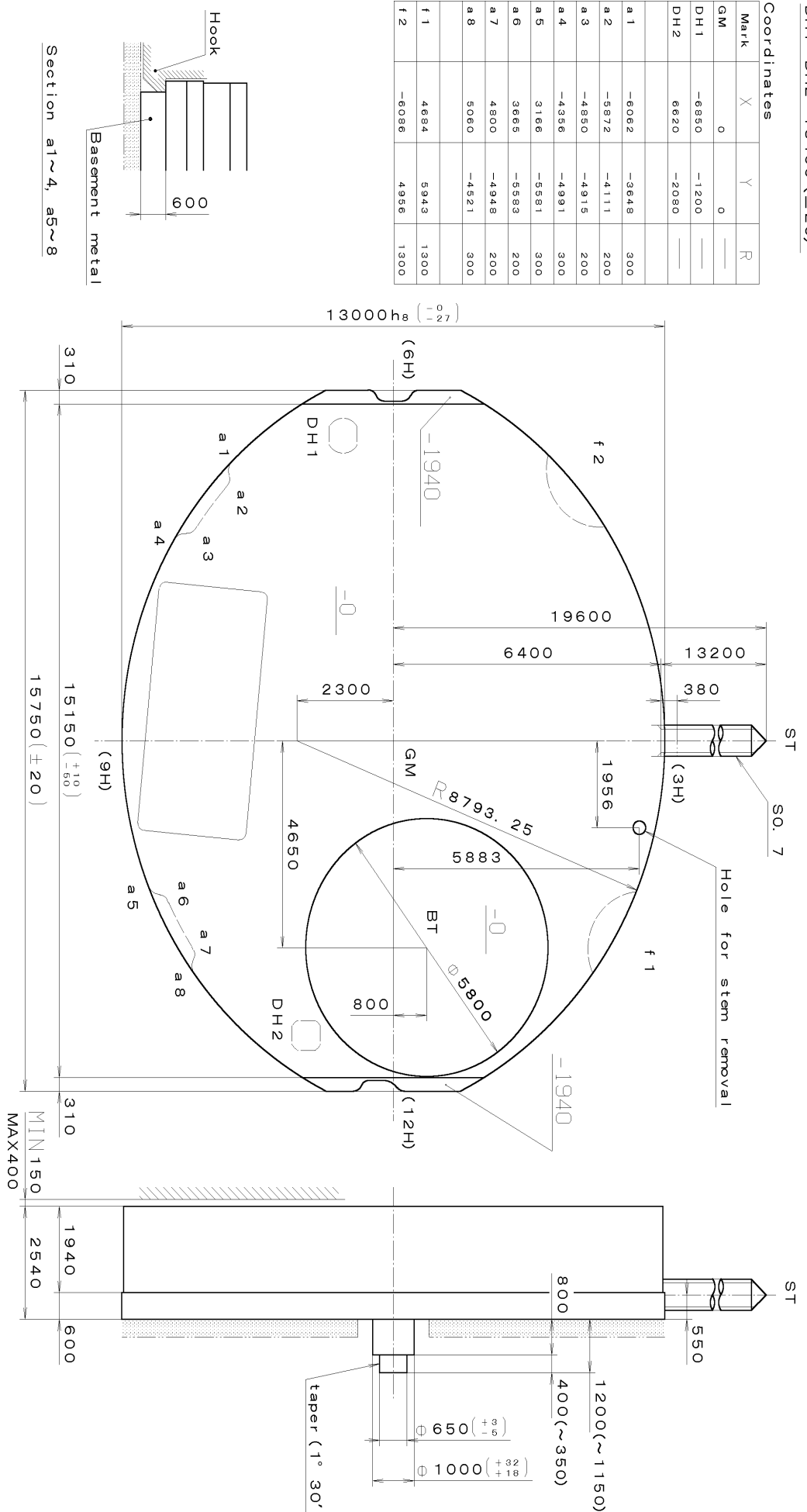
This drawing is provisional and subject to our reconfirmation and/or revision without notice.

*** TIPW 5Y20 (01) *** (2100 1121) 00-06-26

DH1~DH2=13499 (±20)

Coordinates

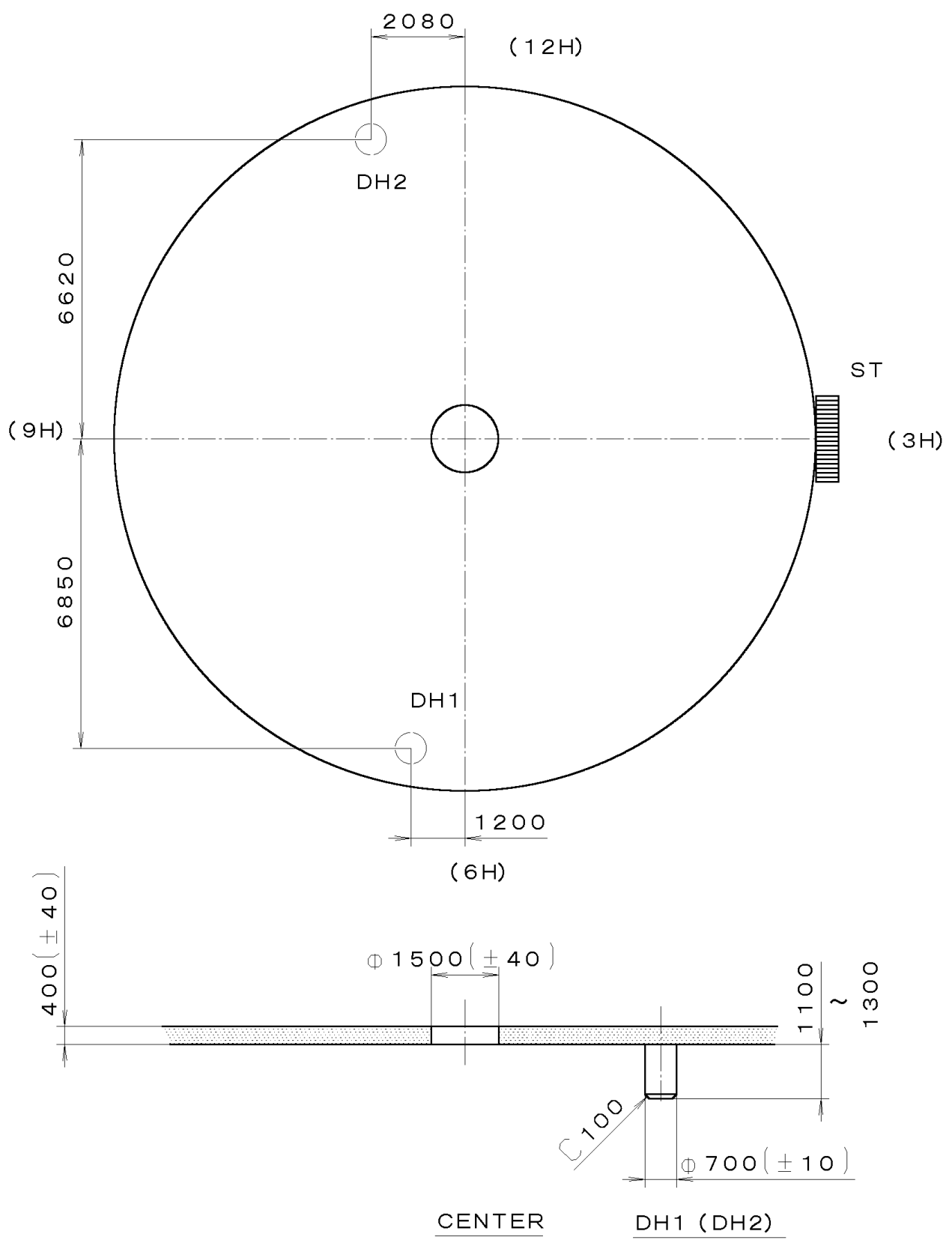
Mark	X	Y	R
GM	0	0	—
DH1	-6550	-1200	—
DH2	6620	-2080	—
a1	-6062	-3648	300
a2	-5872	-4111	200
a3	-4850	-4915	200
a4	-4356	-4991	300
a5	3166	-5581	300
a6	3665	-5583	200
a7	4500	-4948	200
a8	5060	-4521	300
f1	4684	5943	1300
f2	-6086	4956	1300



△	Quantity	1/1000 mm	Cal. No. : 5Y20
△	Unit	11:1	Parts :
△	Scale		
△	Date		
△	Drawn	T. Hiruta	Name :
△	Checked		Frame for Case
△	Approved		Drawing No. : 5Y20C0000
Material	General Tolerances		
Heat Treatment	Dimensions	MIYOTA	
Hardness	Angles		
Plating			

This drawing is provisional and subject to our reconfirmation and/or revision without notice.

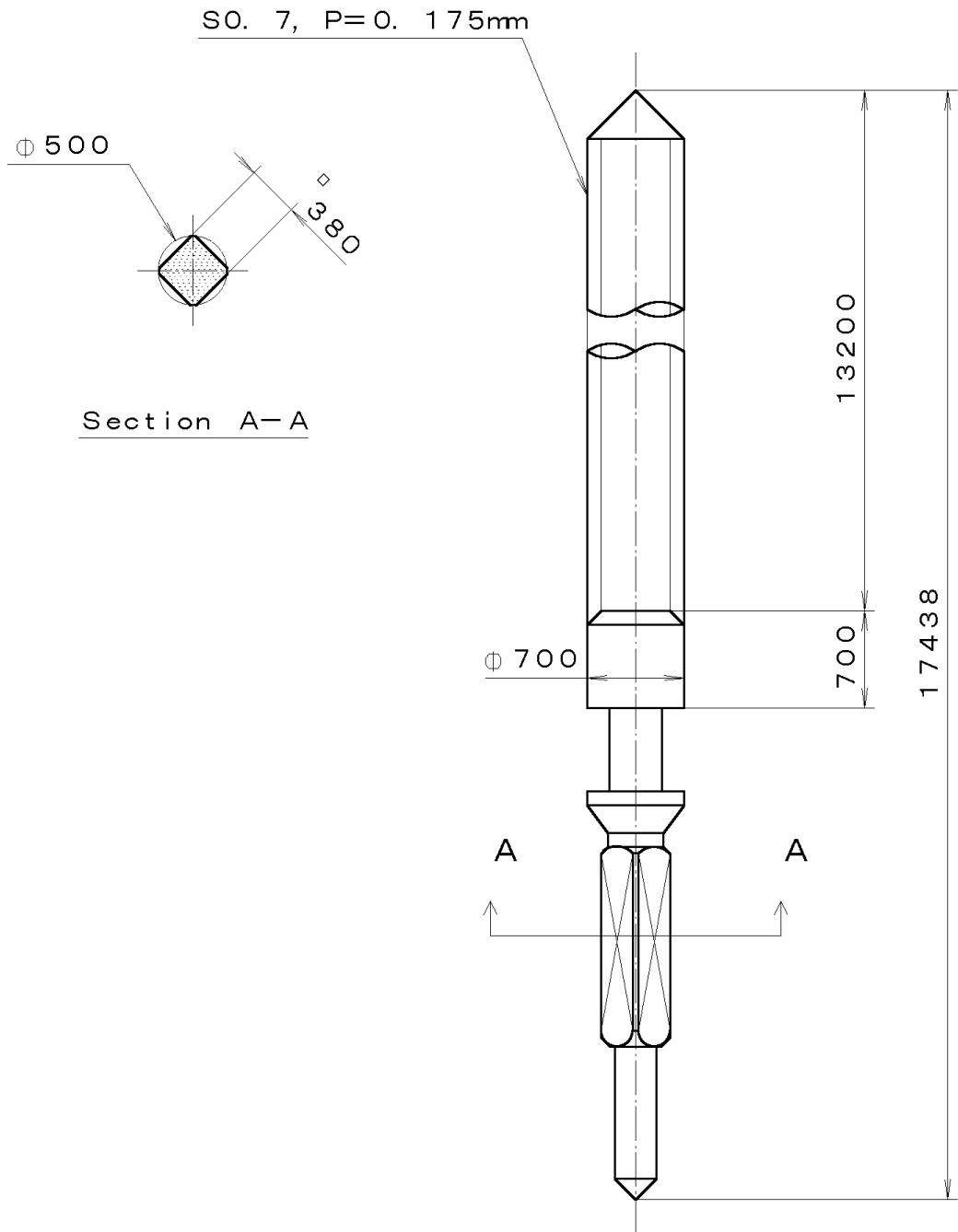
*** T I P W (01) *** (2100 1121) 5Y30-00A *** 00-06-14



7			Quantity		Cal. No. : 5Y20-10G
6			Unit	1/1000 mm	
5			Scale	8:1	Parts:
4			Date		
3			Drawn		
2			Checked	T. Hiruta	Name:
1			Approved		Indications for Dial
Material					Drawing No. : 5Y30D000
Heat Treatment			General Tolerances		MIYOTA
Hardness			Dimensions		
Plating			Angles		

This drawing is provisional and subject to our reconfirmation and/or revision without notice.

*** T I P W (01) *** (2100 1121) 00-06-22 065-403



7		Quantity		Cal. No. :
6		Unit	1/1000 mm	Parts:
5		Scale	20:1	
4		Date		065-403
3		Drawn		
2		Checked	T. Hiruta	Name:
1		Approved		SETTING STEM
Material				Drawing No. : 4030S000
Heat Treatment		General Tolerances		MIYOTA
Hardness		Dimensions		
Plating		Angles		