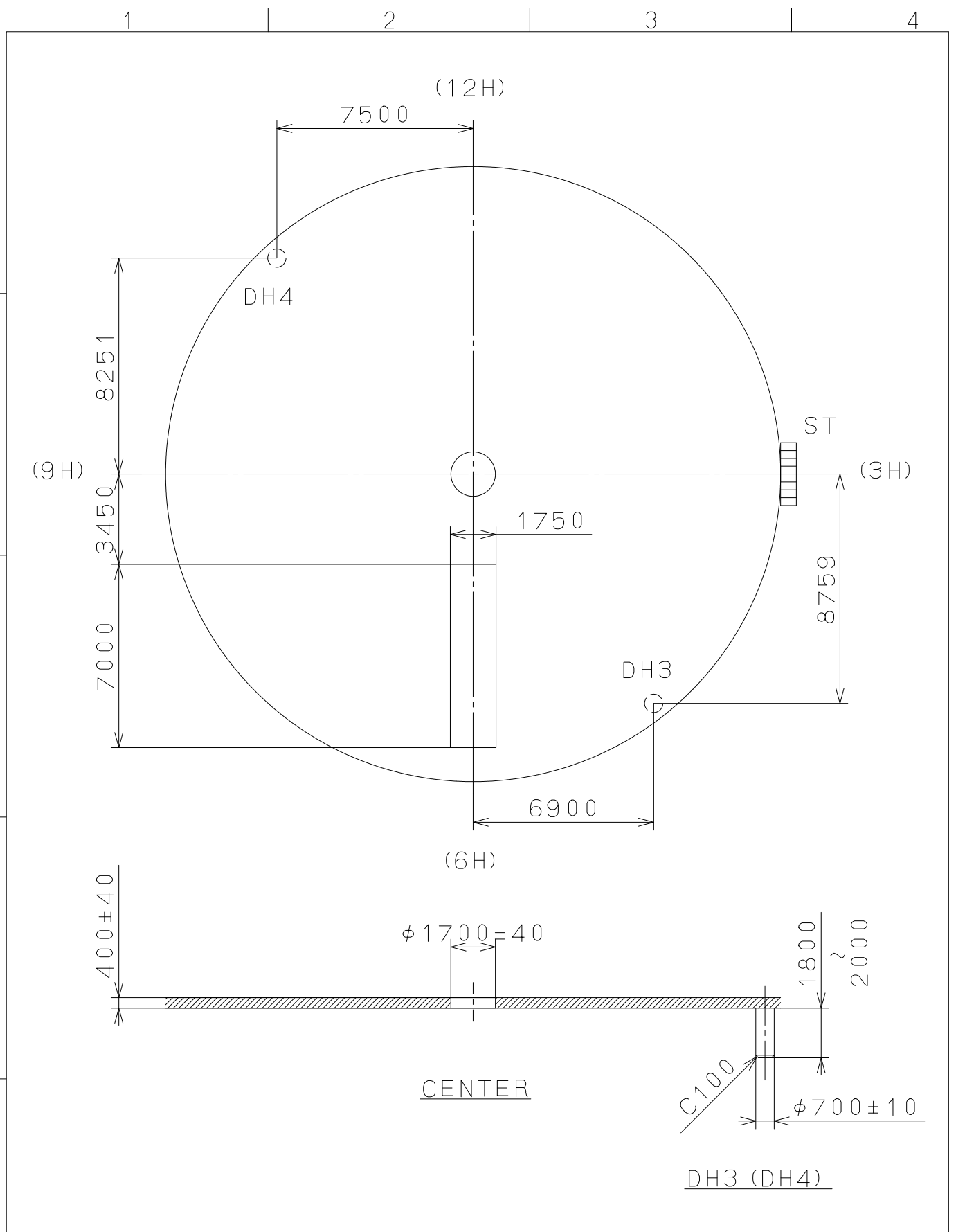


2010/03/26 (13:17:16)

This drawing is provisional and subject to our reconfirmation and/or revision without notice.



△5			Quantity		Cal. NO. GM02-1AC / 1CZ
△4			Unit	1 / 1000 mm	
△3			Scale	5 : 1	Parts No.:
△2			Date		
△1			Drawn		
Mark	Date	Description	Appr.	Checked	Name:
		Alterations		Approved	Indications for Dial
Material					Drawing No.: GM00D030
Heat Treatment				General Tolerances	MIYOTA
Hardness				Dimensions	
Plating				Angles	
					CITIZEN WATCH CO., LTD. TOKYO, JAPAN