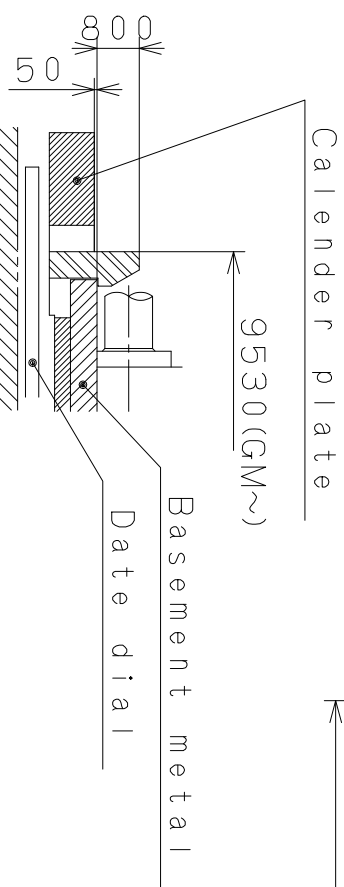
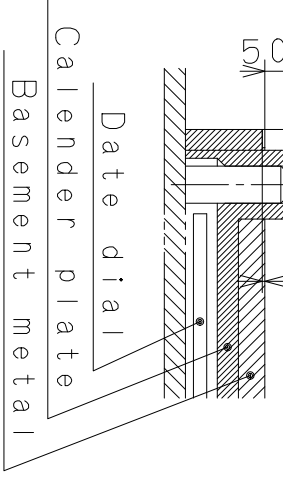
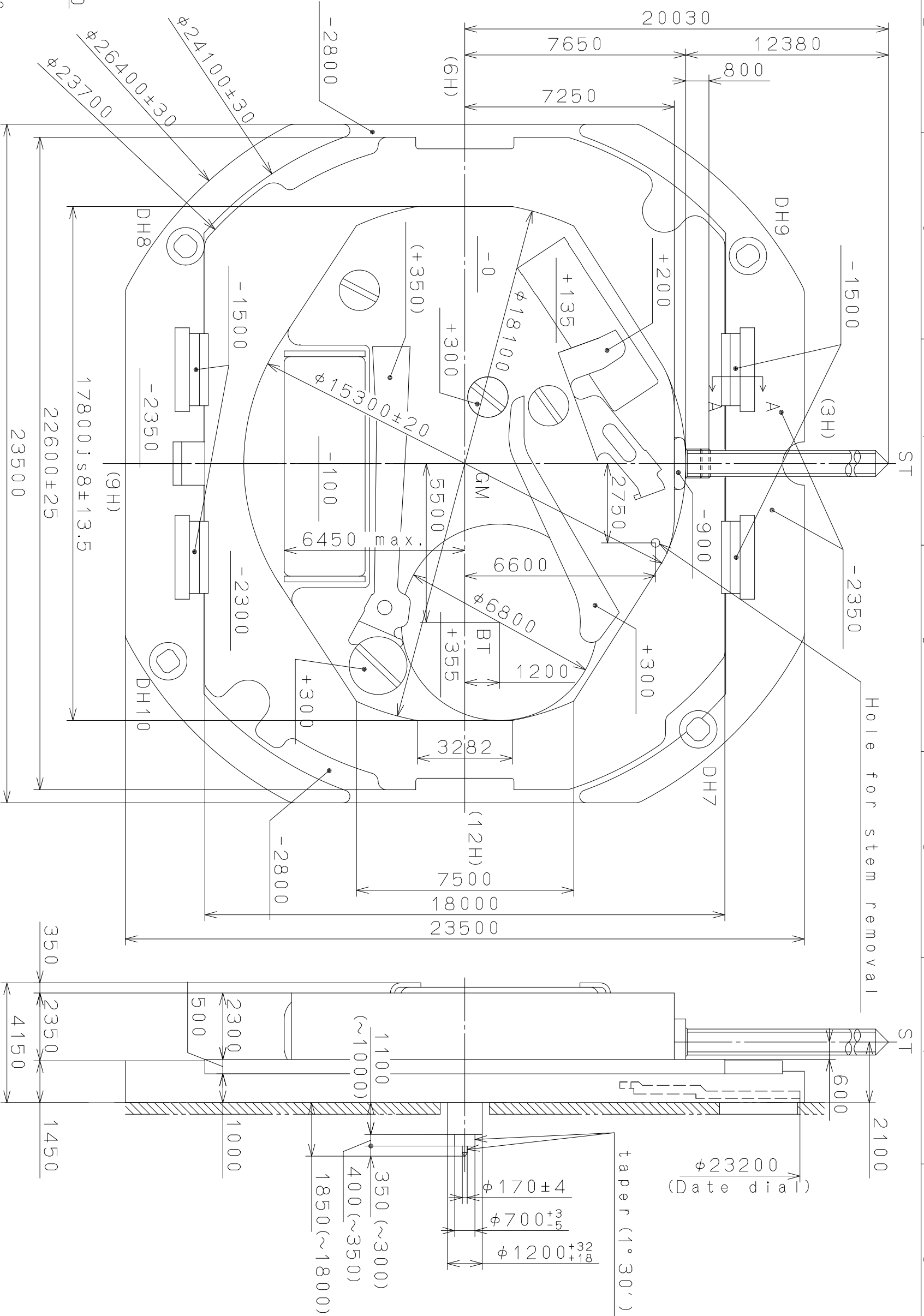


This drawing is provisional and subject to our reconfirmation and/or revision without notice.

DH7~DH8=24390±20
DH9~DH10=24493±20

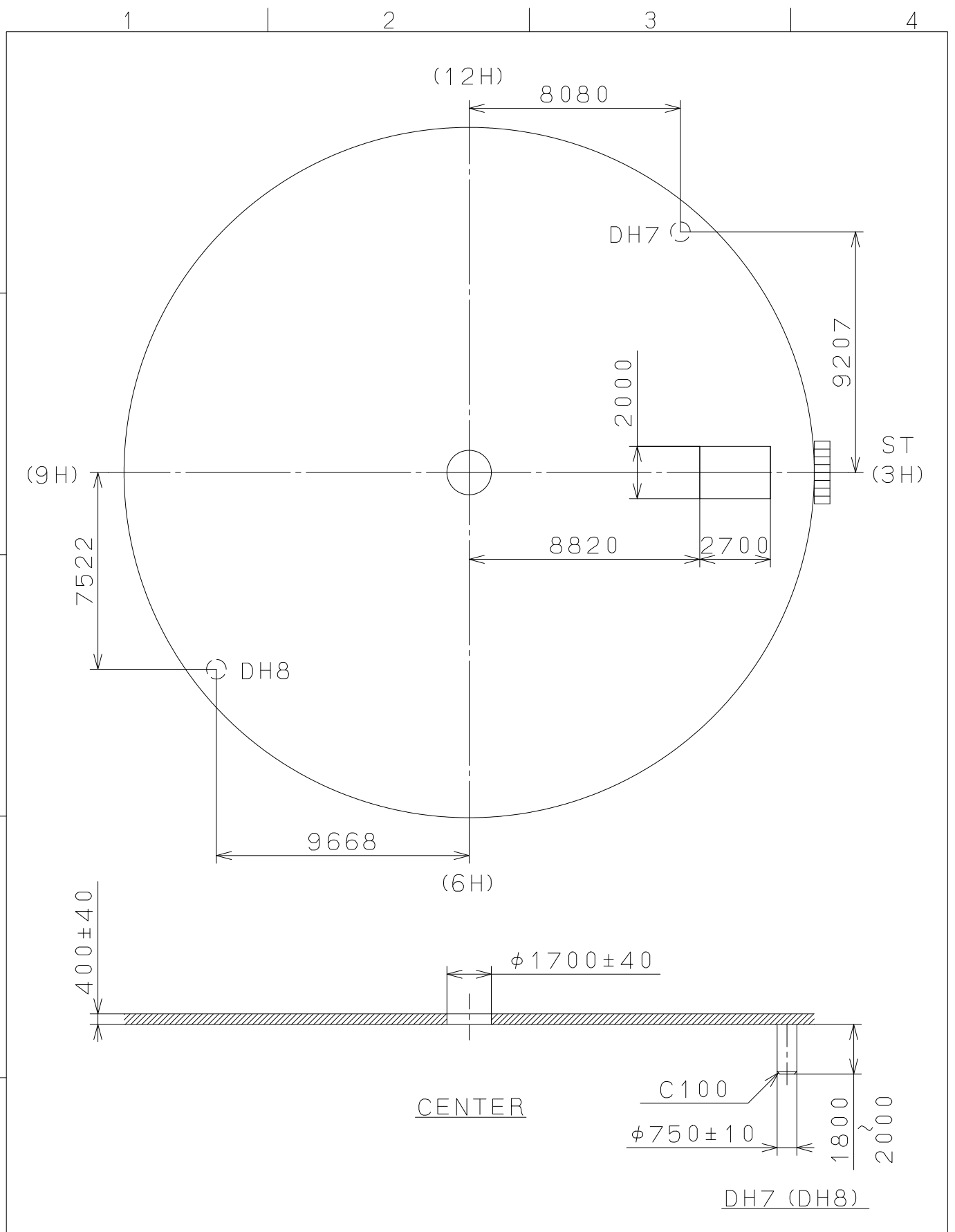
| Coordinates | | |
|-------------|-------|--------|
| Mark | X | Y |
| GM | 0 | 0 |
| DH7 | 9207 | 8080 |
| DH8 | -7522 | -9668 |
| DH9 | -7193 | 9800 |
| DH10 | 6848 | -10269 |



| | | | |
|----------------|----------|--------------------------------------|------------|
| △ | Quantity | Cal. NO.: | 2315 |
| △ | Unit | 1/1000 mm | |
| △ | Scale | 7:1 | Parts No.: |
| △ | Date | | |
| △ | Drawn | | |
| Mark | Date | Description Appro. | Checked |
| | | | D. Yamada |
| Alterations | | Approved | |
| Material | | Name: Frame for Case | |
| Heat Treatment | | Drawing No.: 231500C0 | |
| Hardness | | General Tolerances | |
| Plating | | Dimensions | |
| | | Angles | |
| | | CITIZEN WATCH CO., LTD. TOKYO, JAPAN | |

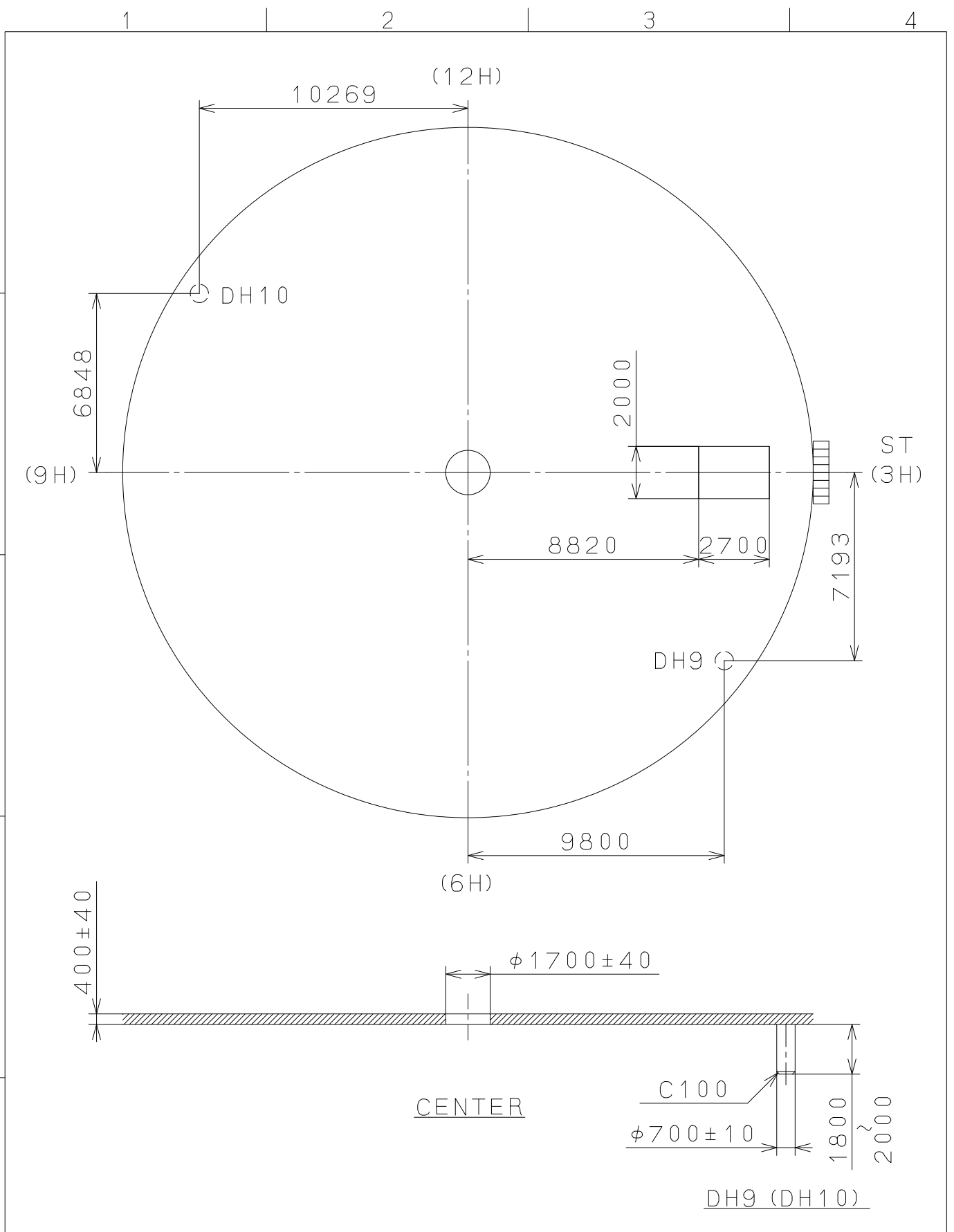
MİYOTA

This drawing is provisional and subject to our reconfirmation and/or revision without notice.



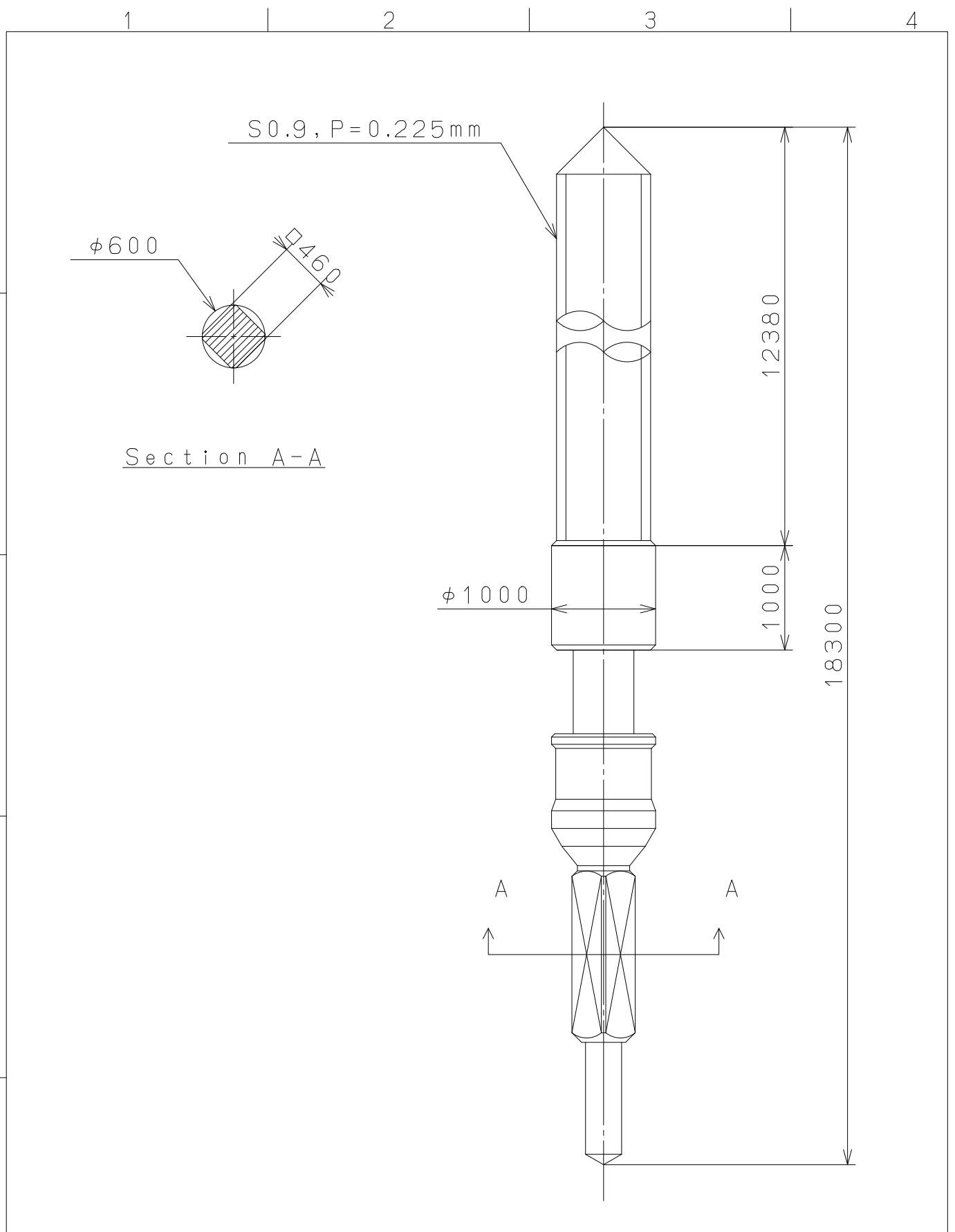
| | | | | | |
|----------------|------|-------------|--------------------|-------------|--------------------------------------|
| △ | | | Quantity | | Cal.NO.: |
| △ | | | Unit | 1 / 1000 mm | 2315-20A |
| △ | | | Scale | 5 : 1 | Parts No.: |
| △ | | | Date | | |
| △ | | | Drawn | | |
| Mark | Date | Description | Appro. | Checked | Name: |
| | | Alterations | Approved | D. Yamada | Indications for Dial |
| Material | | | | | Drawing No.: 231500D0 |
| Heat Treatment | | | General Tolerances | | MIYOTA |
| Hardness | | | Dimensions | | |
| Plating | | | Angles | | |
| | | | | | CITIZEN WATCH CO., LTD. TOKYO, JAPAN |

This drawing is provisional and subject to our reconfirmation and/or revision without notice.



| | | | | | | |
|---|------|-------------|----------|-------------|-----------------------|----------|
| △ | | | Quantity | | Cal. NO.: | |
| △ | | | Unit | 1 / 1000 mm | | 2315-20A |
| △ | | | Scale | 5 : 1 | Parts No.: | |
| △ | | | Date | | | |
| △ | | | Drawn | | | |
| Mark | Date | Description | Appro. | Checked | D. Yamada | |
| Alterations | | | | Approved | Name: | |
| Material | | | | | Indications for Dial | |
| Heat Treatment | | | | | Drawing No.: 231501D0 | |
| Hardness | | | | | General Tolerances | |
| Plating | | | | | Dimensions | |
| | | | | | Angles | |
| MIYOTA CITIZEN WATCH CO., LTD. TOKYO, JAPAN | | | | | | |

This drawing is provisional and subject to our reconfirmation and/or revision without notice.



| | | | | | |
|----------------|--------------------|-------------|----------|----------------------|---|
| △5 | | | Quantity | | Cal.NO.: |
| △4 | | | Unit | 1/1000 _{mm} | |
| △3 | | | Scale | 20:1 | Parts No.: |
| △2 | | | Date | | 065-299 |
| △1 | | | Drawn | | |
| Mark | Date | Description | Appro. | Checked | D.Yamada |
| Alterations | | | Approved | Name: | |
| | | | | | SETTING STEM |
| Material | | | | | Drawing No.:299000S0 |
| Heat Treatment | | | | | MIYOTA CITIZEN WATCH CO.,LTD. TOKYO,JAPAN |
| Hardness | General Tolerances | | | | |
| Plating | Dimensions | | | | |
| | Angles | | | | |