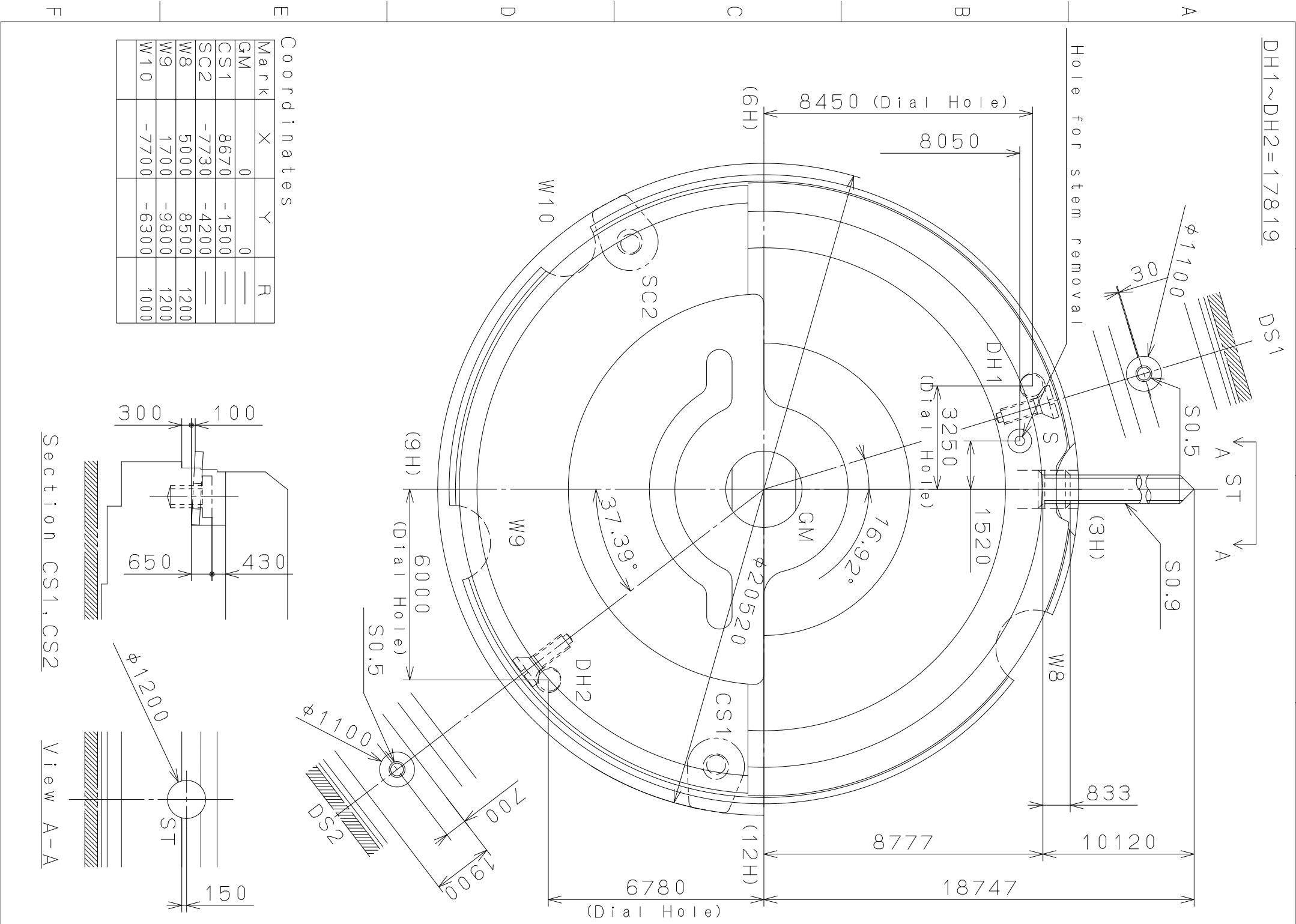
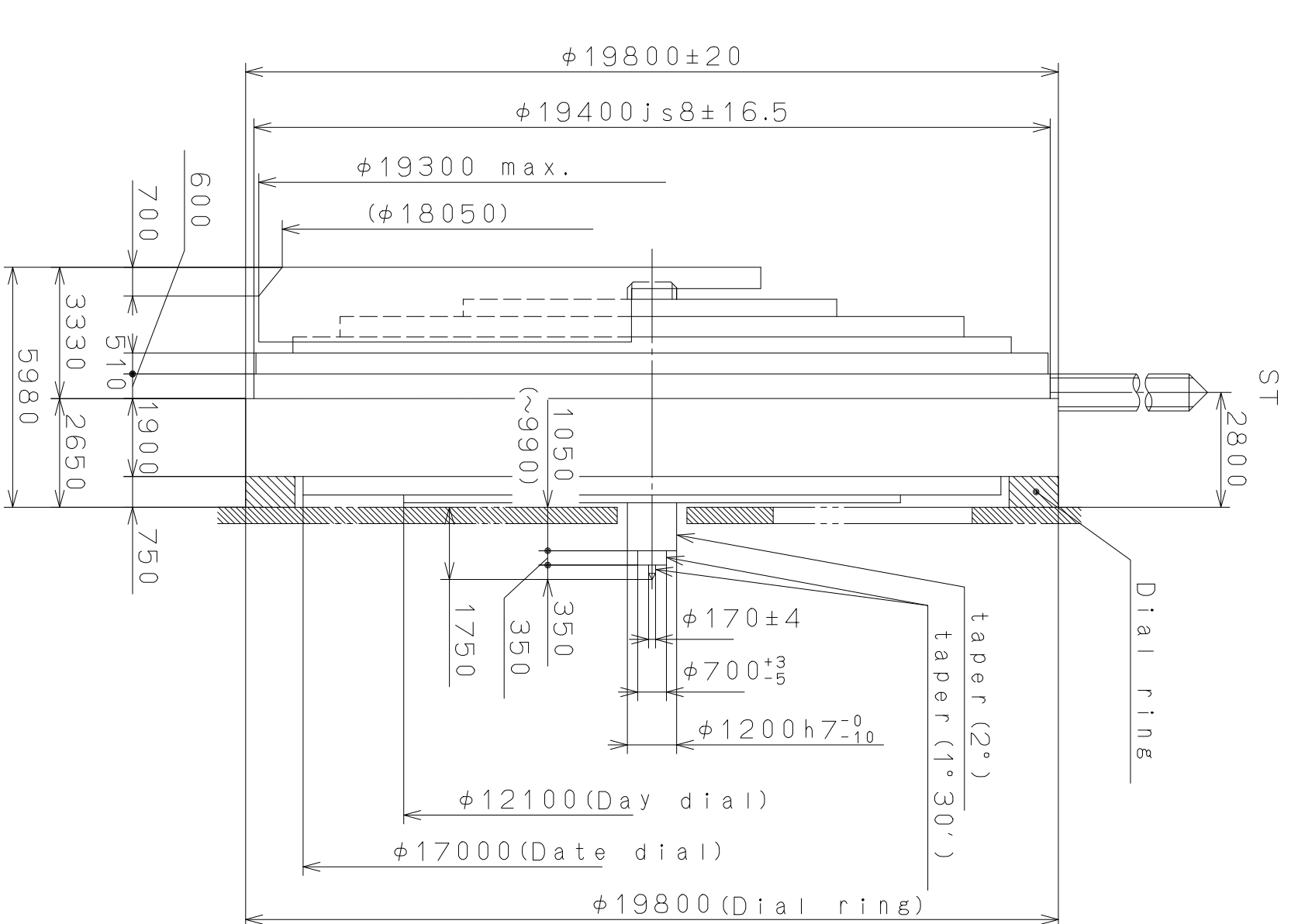
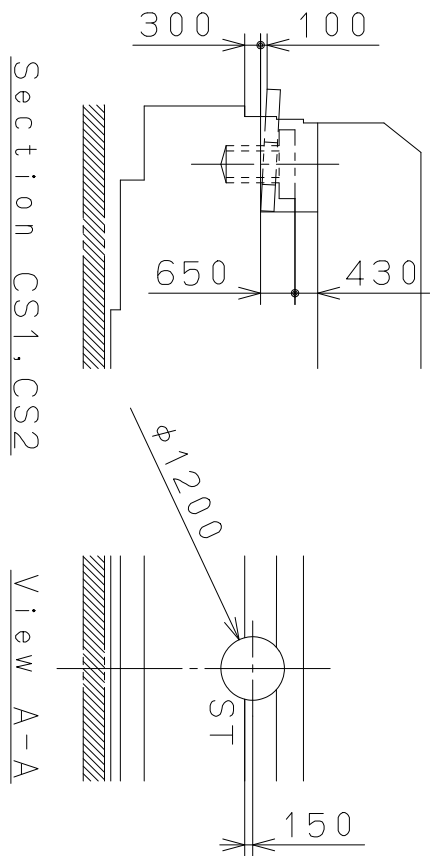


This drawing is provisional and subject to our reconfirmation and/or revision without notice.



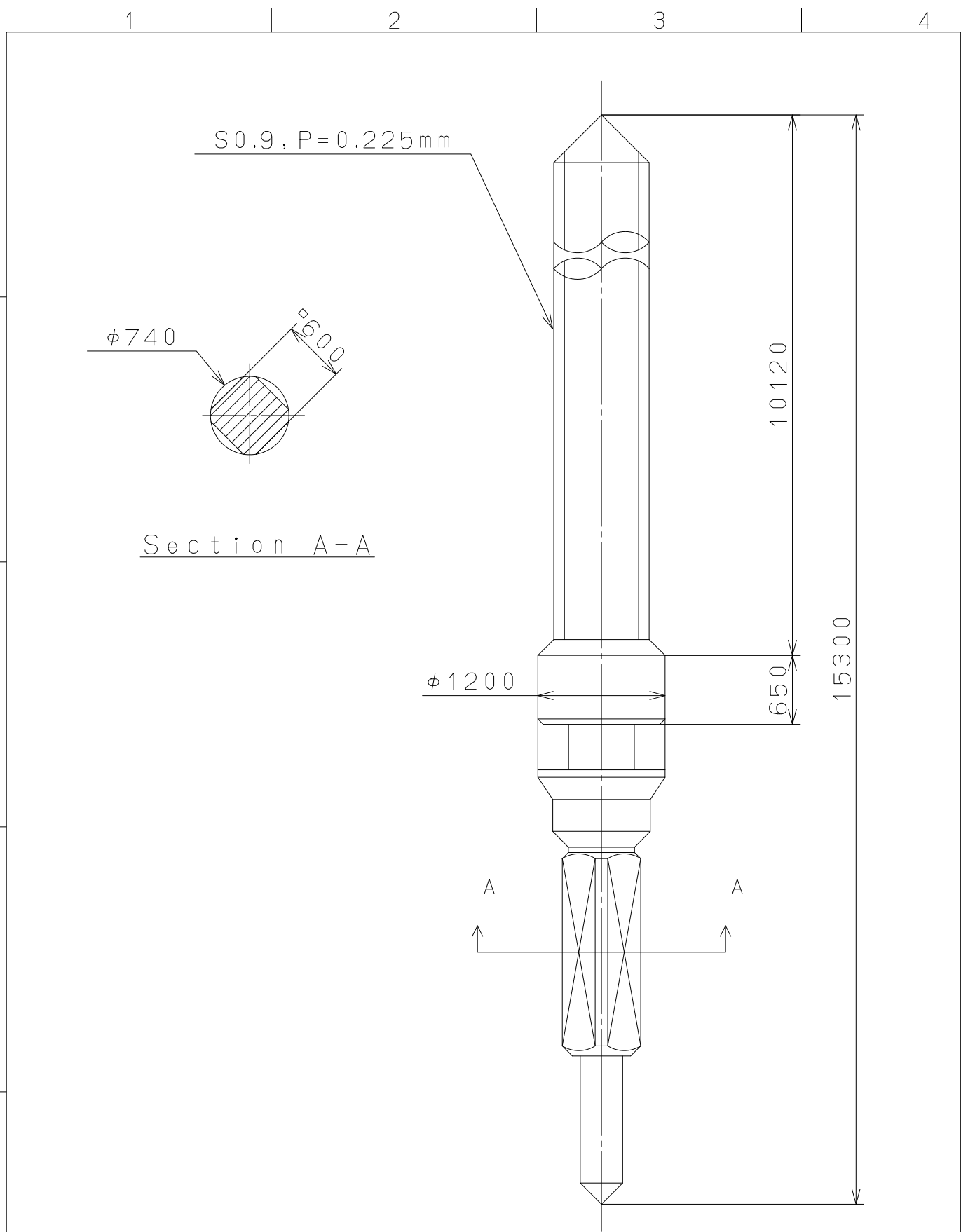
Coordinates

Mark	X	Y	R
GM	0	0	
CS1	8670	-1500	
SC2	-7730	-4200	
W8	5000	8500	1200
W9	1700	-9800	1200
W10	-7700	-6300	1000



Material	Alterations	Quantity	Unit	Cal. NO.:
Heat Treatment	Date		1/1000 mm	6T51
Hardness	Description	Scale	7:1	Parts No.:
Plating	Appro.	Drawn		
	Checked	D. Yamada		Name:
	Approved			Frame for Case
				Drawing No.: 6T5100C0
				MIYOTA
				CITIZEN WATCH CO., LTD. TOKYO, JAPAN

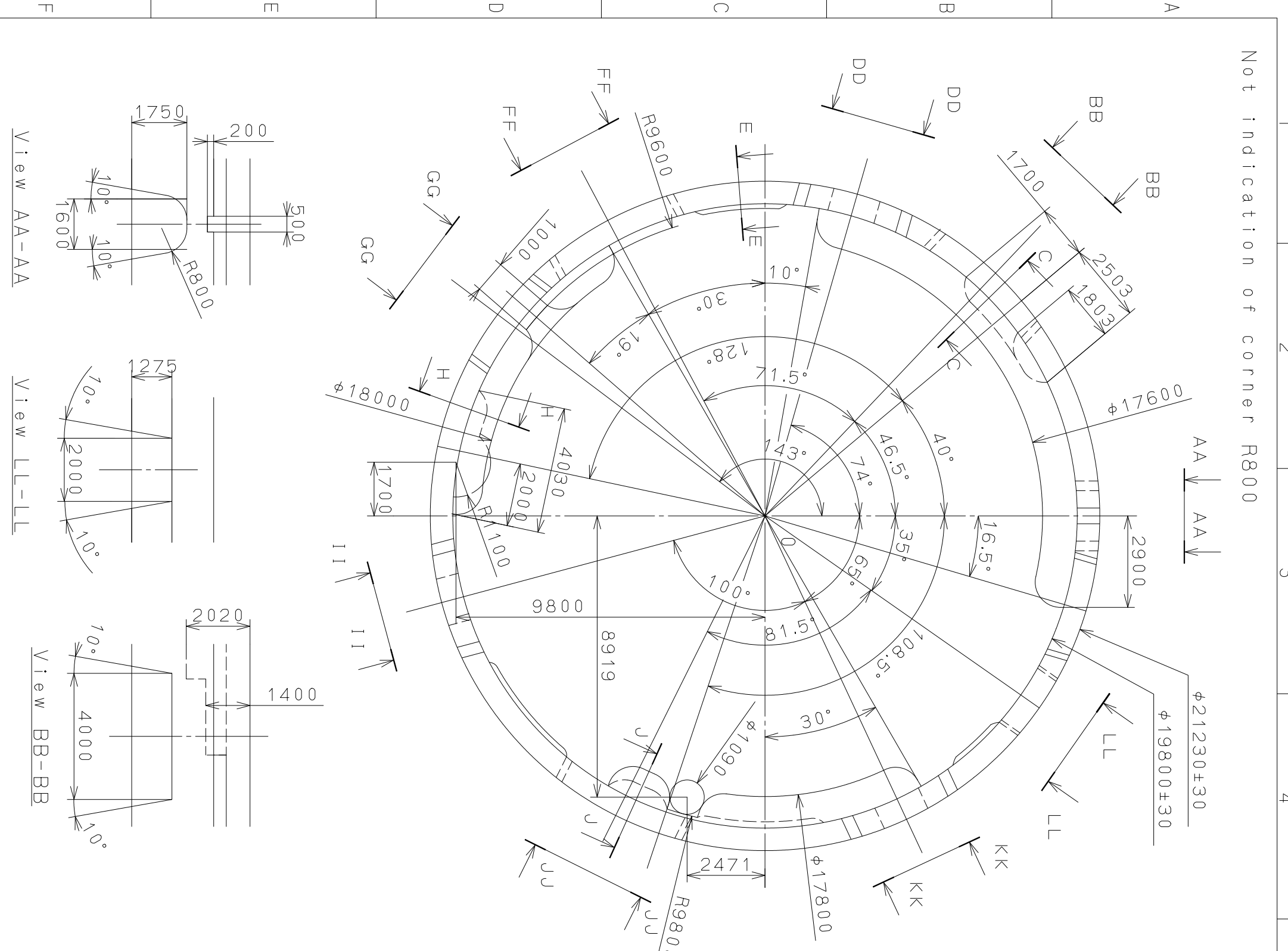
This drawing is provisional and subject to our reconfirmation and/or revision without notice.



△			Quantity		Cal.NO.:
△			Unit	1/1000mm	
△			Scale	20:1	Parts No.:
△			Date		065-117
△			Drawn		Name:
Mark	Date	Description	Appr.	Checked	D. Yamada
Alterations			Approved	SETTING STEM	
Material					Drawing No.: 117000S0
Heat Treatment					MIYOTA
Hardness					
Plating					
					CITIZEN WATCH CO., LTD. TOKYO, JAPAN

This drawing is provisional and subject to our reconfirmation and/or revision without notice.

Not indication of corner R800



Material	Alterations	Date	Quantity	Unit	Cal. NO.:
Heat Treatment	Description	Checked	1	1/1000 mm	
Hardness	Appro.	Drawn	Scale	7 : 1	Parts No.:
Plating	Approved	D. Yamada			500-6621
Name:			Casing Holder		
Drawing No.:			665000E0		
General Tolerances			Miyota		
Dimensions			CITIZEN WATCH CO., LTD. TOKYO, JAPAN		
Angles					

