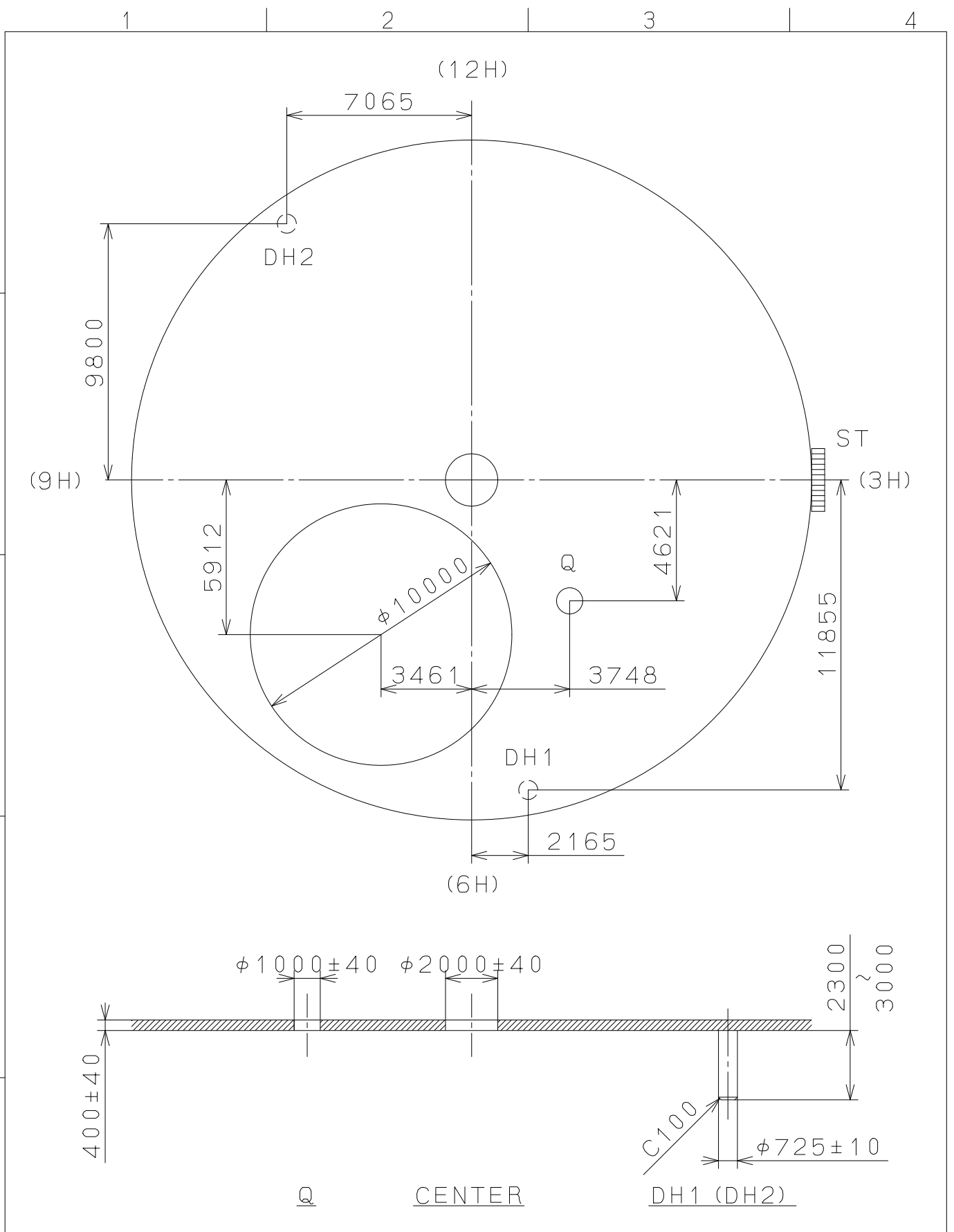
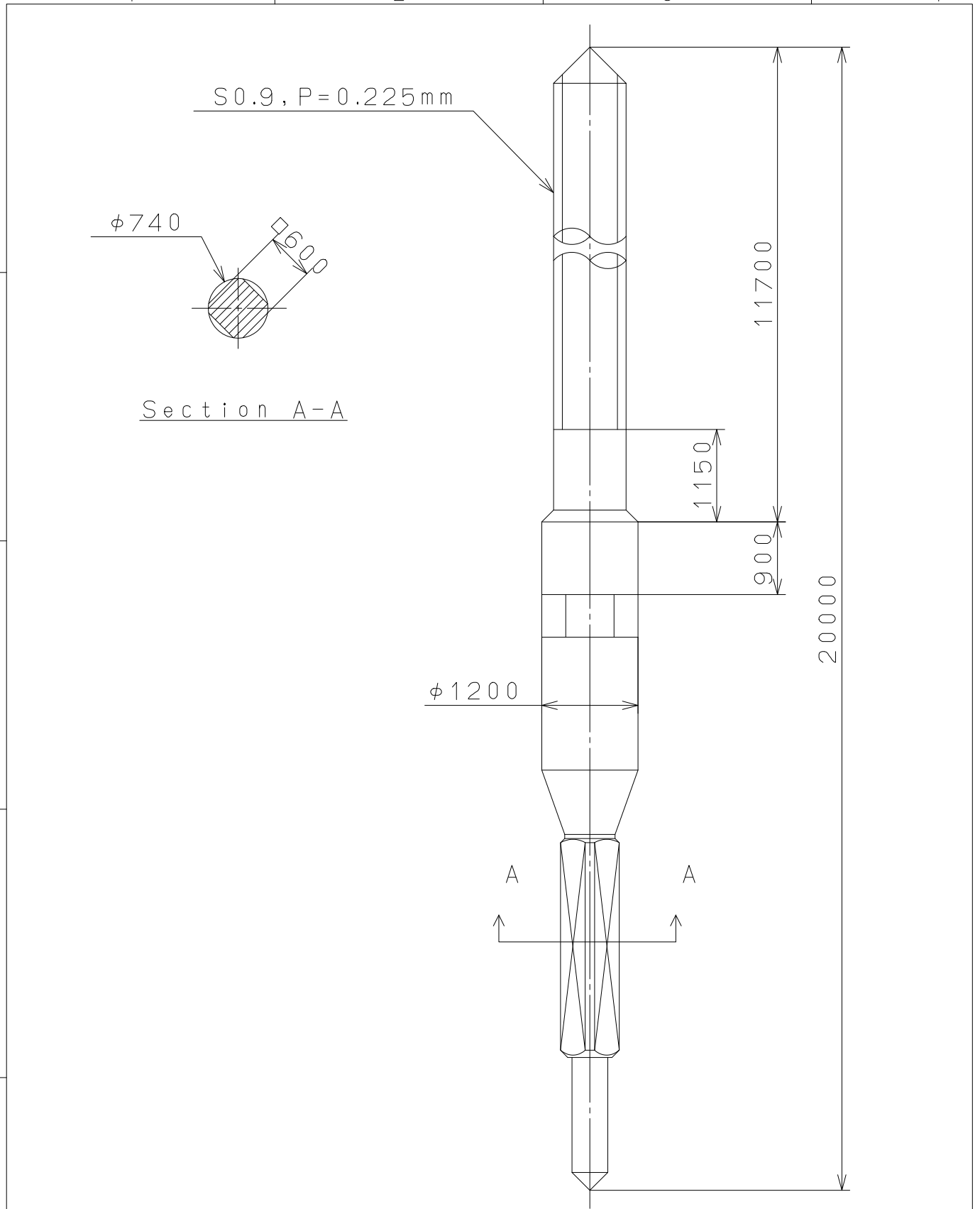


This drawing is provisional and subject to our reconfirmation and/or revision without notice.

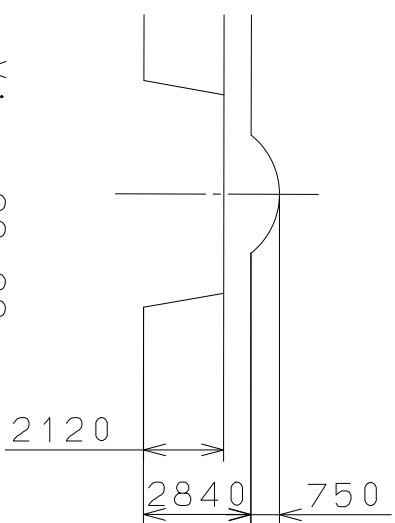
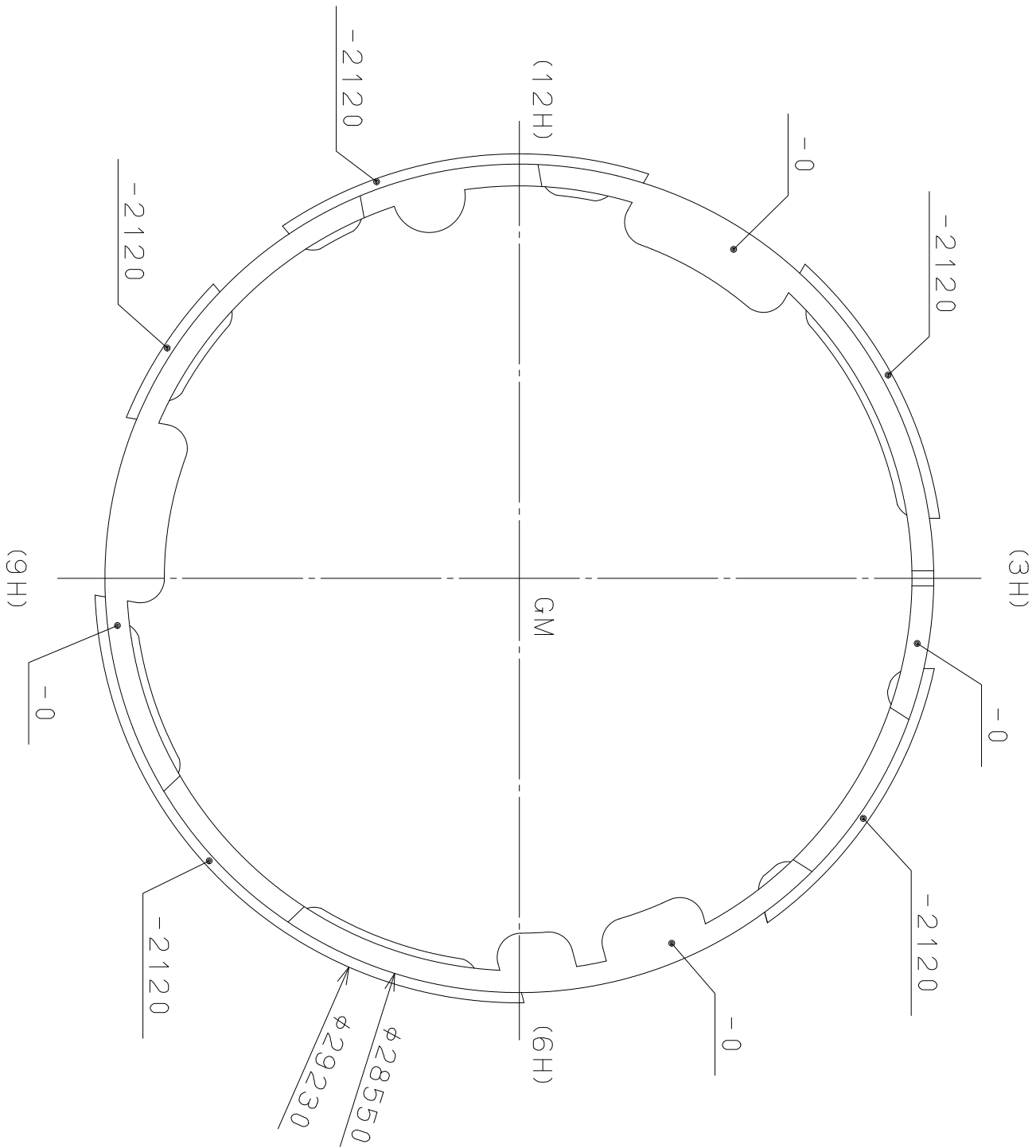


△			Quantity		Cal.NO.:
△			Unit	1 / 1000 _{mm}	82S5-43G
△			Scale	5 : 1	Parts No.:
△			Date		
△			Drawn		
Mark	Date	Description	Appr.	Checked	Name:
		Alterations	Approved	D. Yamada	
Material					Indications for Dial
Heat Treatment					Drawing No.: 82S501D0
Hardness			General Tolerances		MIYOTA
Plating			Dimensions		
			Angles		CITIZEN WATCH CO., LTD. TOKYO, JAPAN

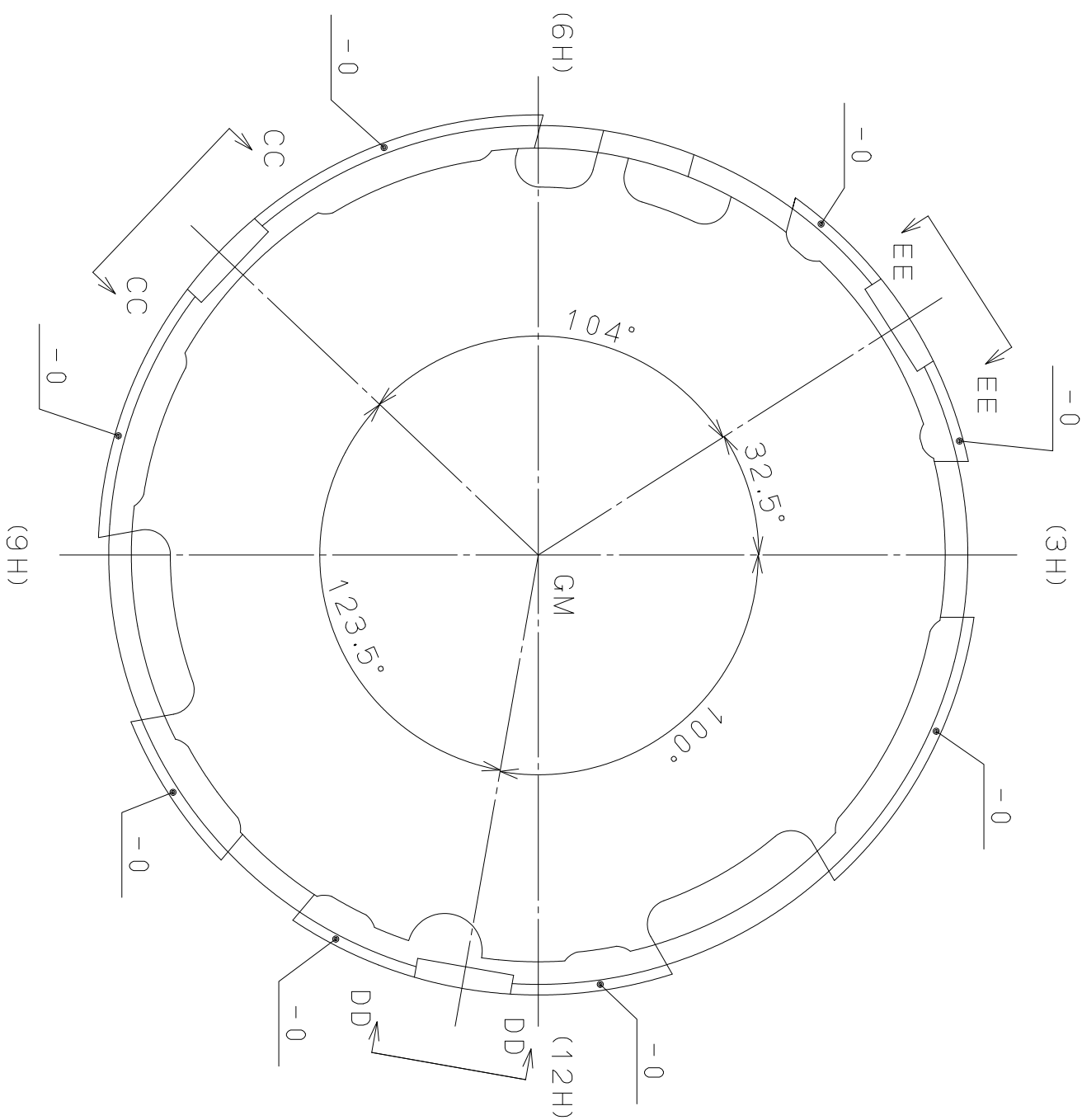
This drawing is provisional and subject to our reconfirmation and/or revision without notice.



△			Quantity		Cal.NO.:
△			Unit	1/1000mm	
△			Scale	15:1	Parts No.:
△			Date		065-212
△			Drawn		Name:
Mark	Date	Description	Appr.	Checked	D. Yamada
Alterations			Approved	SETTING STEM	
Material					Drawing No.: 212000S0
Heat Treatment					MIYOTA CITIZEN WATCH CO., LTD. TOKYO, JAPAN
Hardness					
Plating					



View CC-CC
DD-DD, EE-EE



Quantity	Unit	1/1000 mm	Cal. No.:
Scale	Scale	5 : 1	Parts No.:
Date	Date		500-710
Drawn	Drawn		
Checked	Checked		
Approved	Approved	D. Yamada	Name:
			Casing Holder
			Drawing No.: 820500E0
Material	General Tolerances	MIYOTA CITIZEN WATCH CO., LTD. TOKYO, JAPAN	
Heat Treatment	Dimensions		
Hardness	Angles		
Plating			