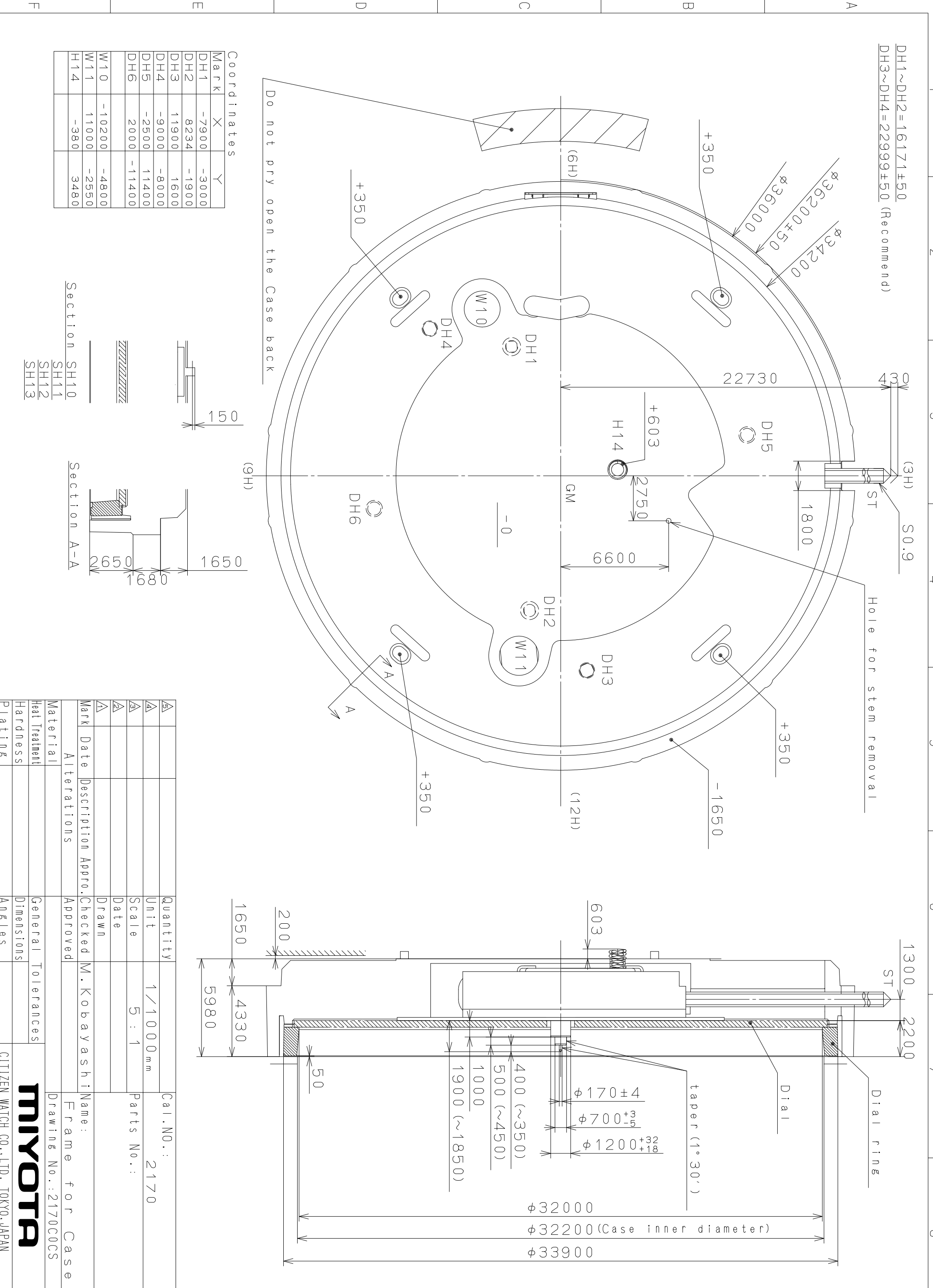


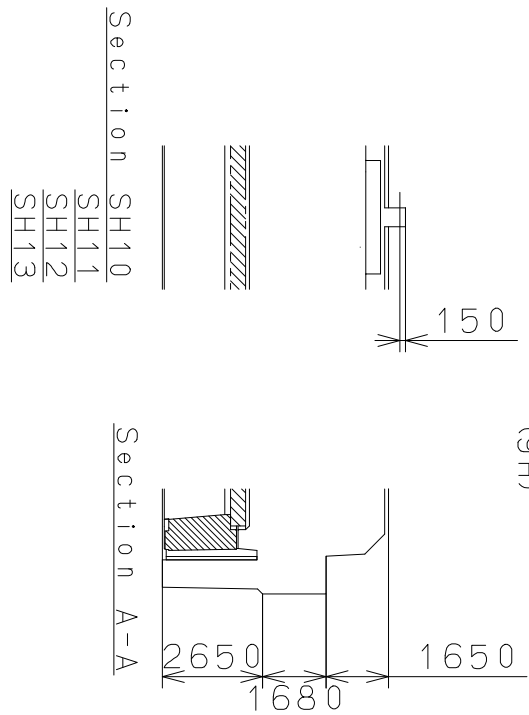
This drawing is provisional and subject to our reconfirmation and/or revision without notice.



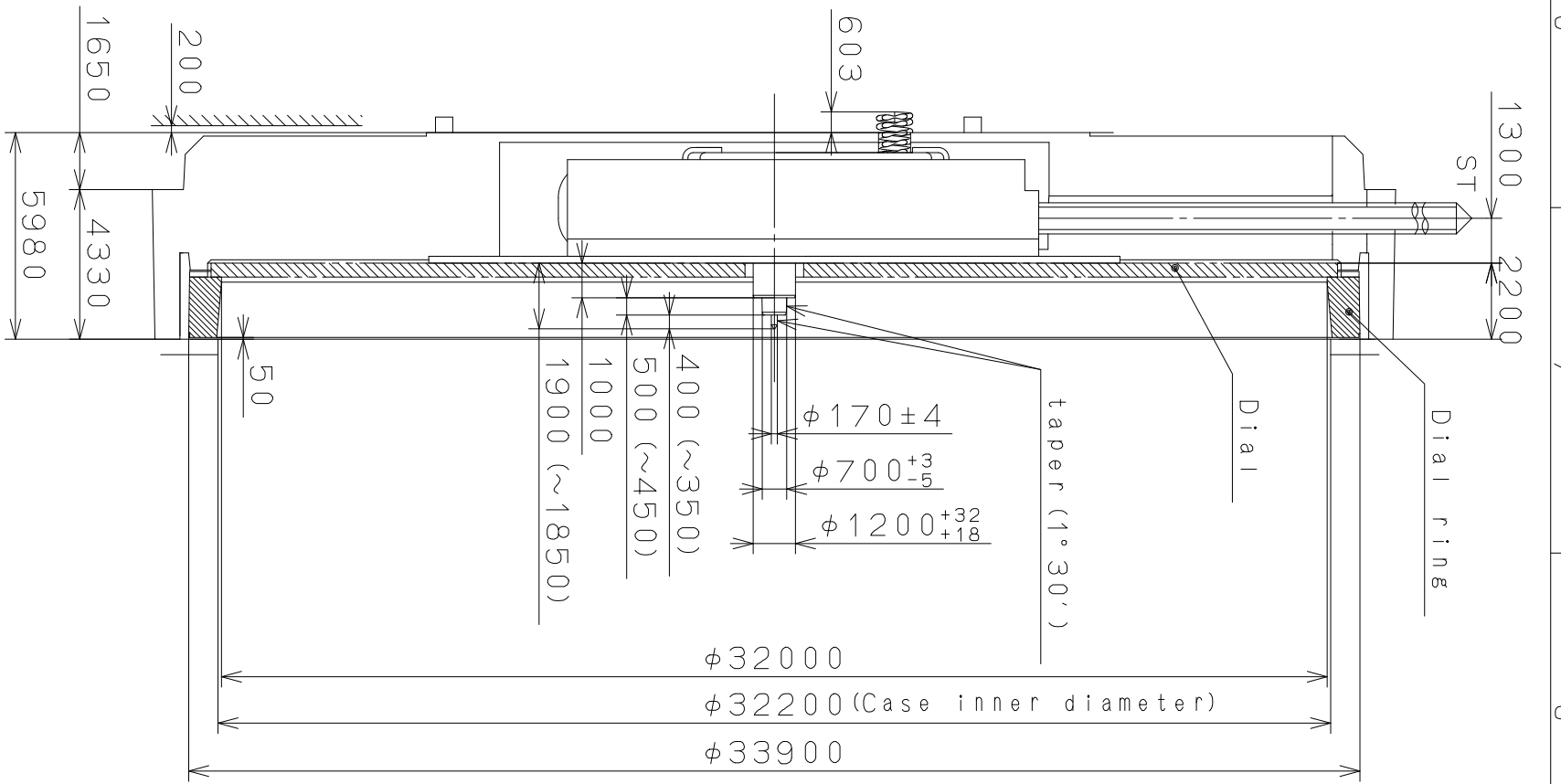
DH1~DH2=16171±50  
DH3~DH4=22999±50 (Recommend)

Coordinates

Mark	X	Y
DH1	-7900	-3000
DH2	8234	-1900
DH3	11900	1600
DH4	-9000	-8000
DH5	-2500	11400
DH6	2000	-11400
W10	-10200	-4800
W11	11000	-2550
H14	-380	3480



Material	Alterations	Date	Description	Appro.	M. Kobayashi	Name:	Frame for Case
Heat Treatment		Checked		Approved			Drawing No.: 2170C0CS
Hardness		Drawn					
Plating							
Quantity	Unit	Scale	5 : 1	Parts No.:		Cal. NO.:	2170
General Tolerances							
Dimensions							
Angles							

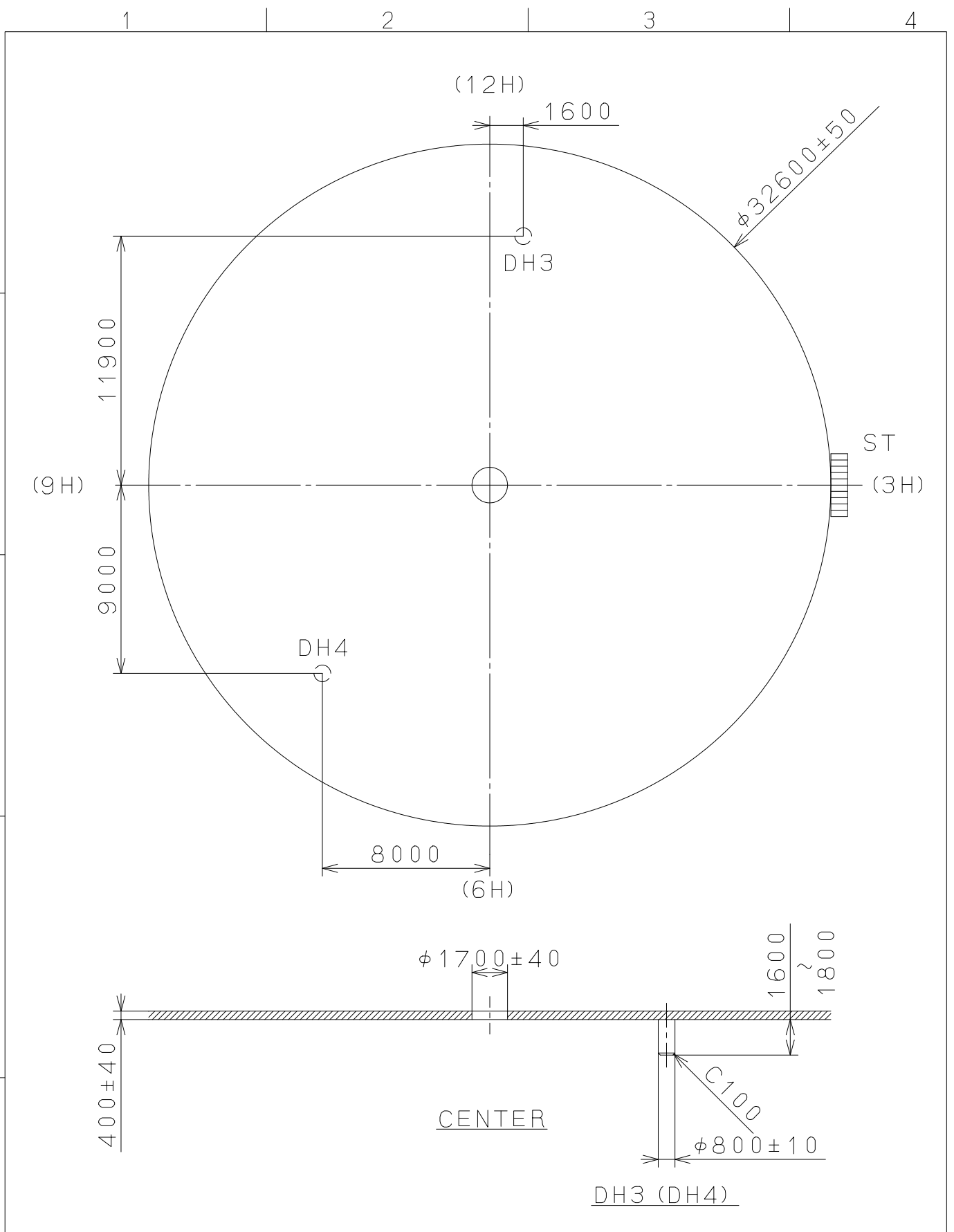


**MIYOTA**

CITIZEN WATCH CO., LTD. TOKYO, JAPAN

CONFIDENTIAL 2020/11/26 (10:18:25)

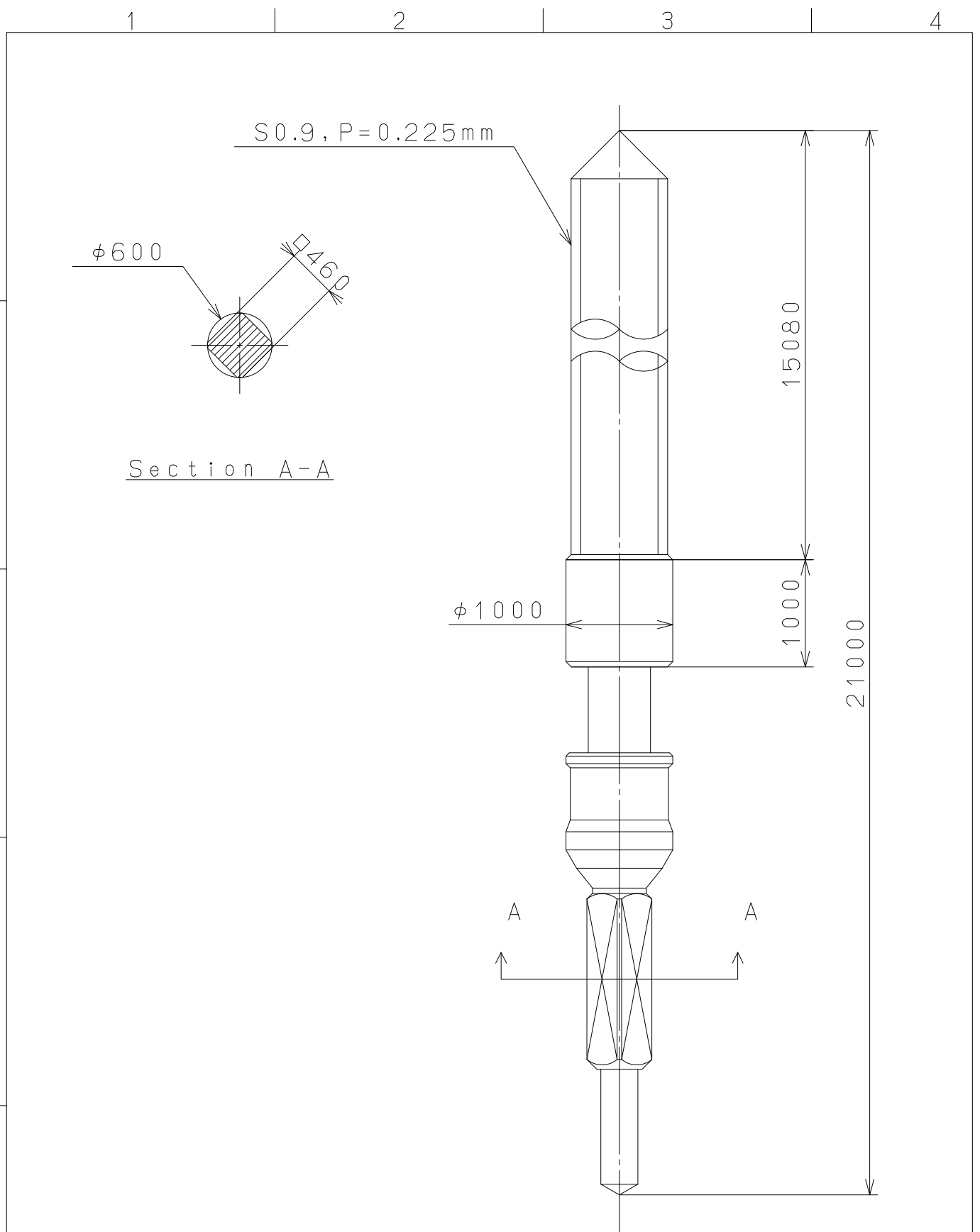
This drawing is provisional and subject to our reconfirmation and/or revision without notice.



△			Quantity		Cal.NO.:
△			Unit	1 / 1000 mm	2170-00A
△			Scale	4 : 1	Parts No.:
△			Date		
△			Drawn		
Mark	Date	Description	Appr.	Checked	M. Kobayashi
Alterations			Approved	Name:	
Material			Indications for Dial		
Heat Treatment			Drawing No.: 2170D0BS		
Hardness			General Tolerances		
Plating			Dimensions		
			Angles		
			MIYOTA		
			CITIZEN WATCH CO., LTD. TOKYO, JAPAN		

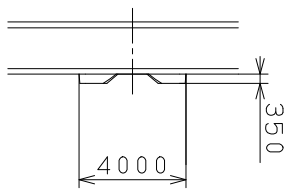
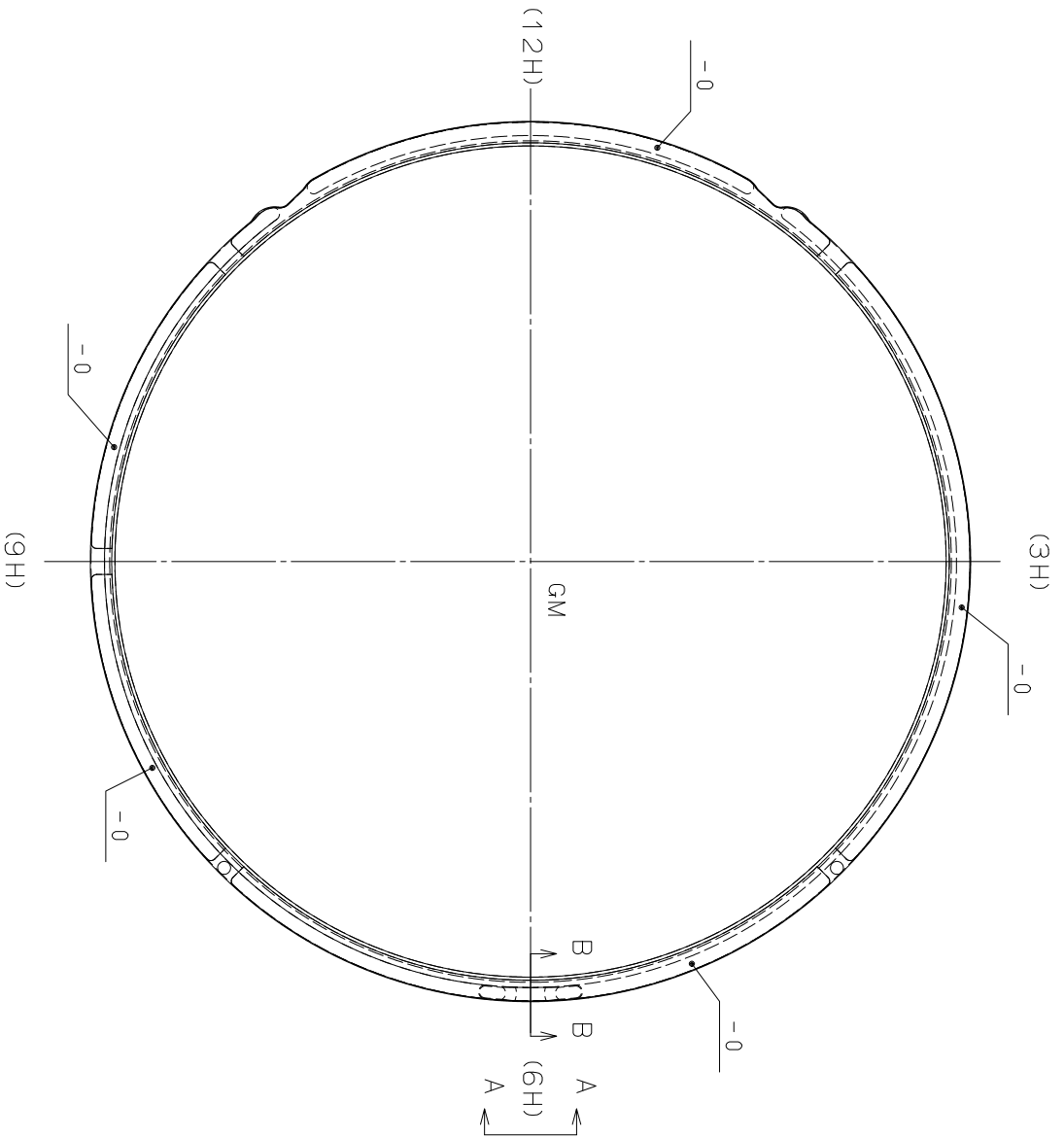
2008/07/17 (11:00:11)

This drawing is provisional and subject to our reconfirmation and/or revision without notice.

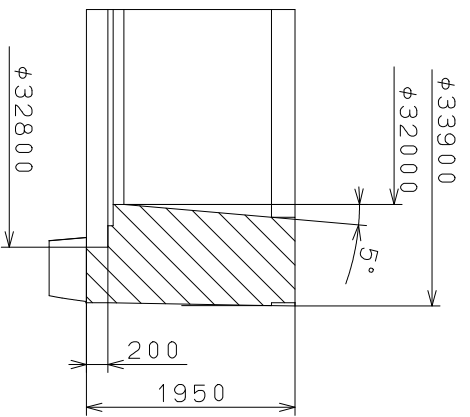


△5			Quantity		Cal.NO.:
△4			Unit	1/1000mm	
△3			Scale	20:1	Parts No.:
△2			Date		065-371
△1			Drawn		Name:
Mark	Date	Description	Appr.	Checked	N. Suzuki
Alterations			Approved	SETTING STEM	
Material				Drawing No.: 3710S000	
Heat Treatment				<b>MIYOTA</b> CITIZEN WATCH CO., LTD. TOKYO, JAPAN	
Hardness					
Plating					

This drawing is provisional and subject to our reconfirmation and/or revision without notice.



View A-A



Section B-B (20:1)

Quantity	Unit	Cal. NO.:
1	1/1000 mm	
Scale	5 : 1	Parts No.:
Date		110-725
Drawn		
Mark Date	Checked	Name:
	Approved	Dial trim ring
Alterations		Drawing No.: 2170E000
Material	General Tolerances	<b>MIYOTA</b> CITIZEN WATCH CO., LTD. TOKYO, JAPAN
Heat Treatment	Dimensions	
Hardness	Angles	
Plating		