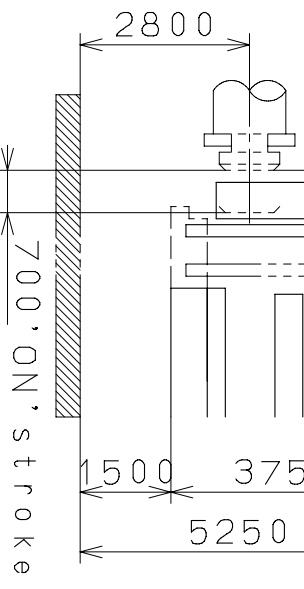
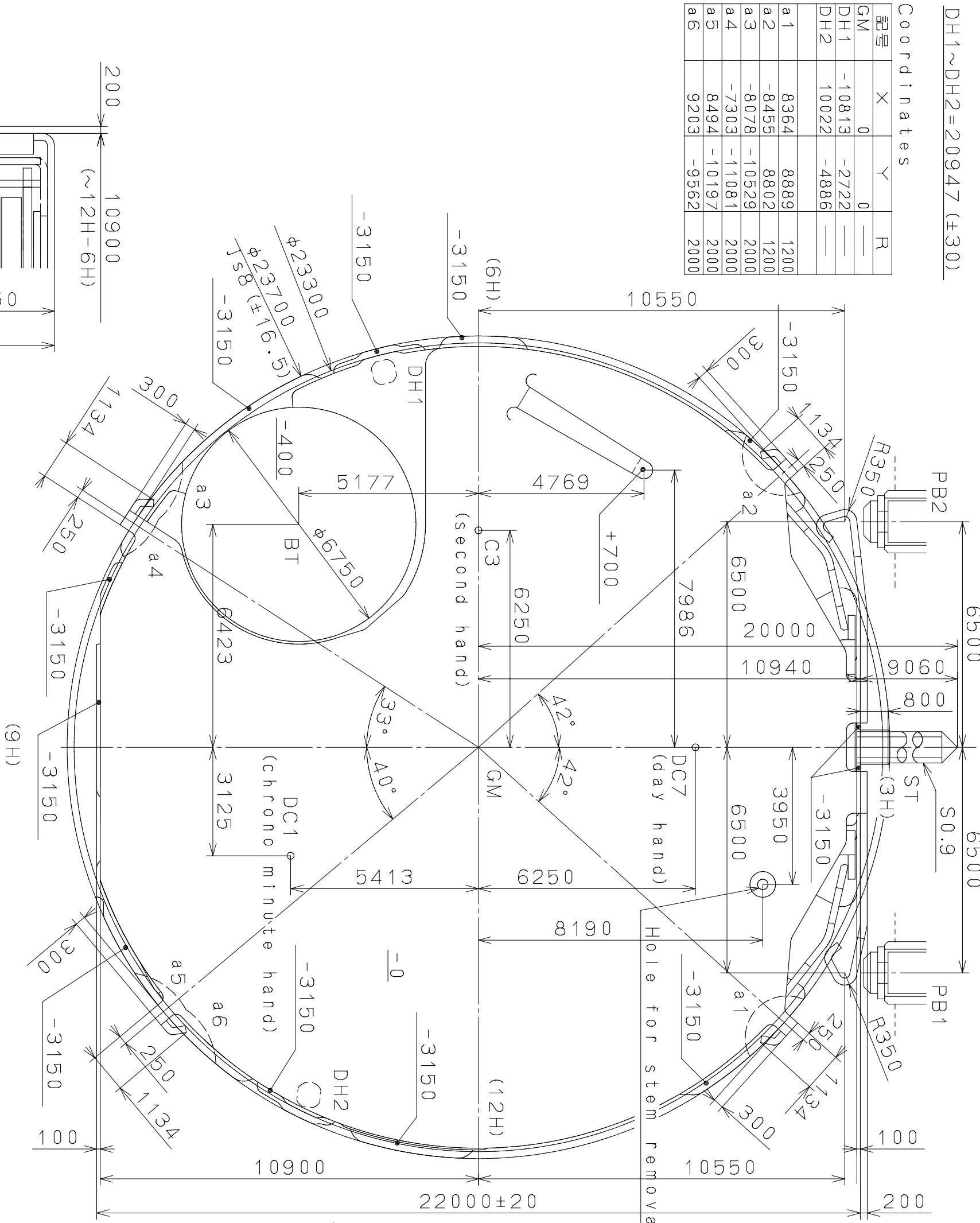


DH1~DH2=20947 (±30)

Coordinates			
記号	X	Y	R
GM	0	0	—
DH1	-10813	-2722	—
DH2	10022	-4886	—
a1	8364	8889	1200
a2	-8455	8802	1200
a3	-8078	-10529	2000
a4	-7303	-11081	2000
a5	8494	-10197	2000
a6	9203	-9562	2000



Mark	Date	Description	Appr.	Checked	Drawn
Alterations					
Material					
Heat Treatment					
Hardness					
Plating					

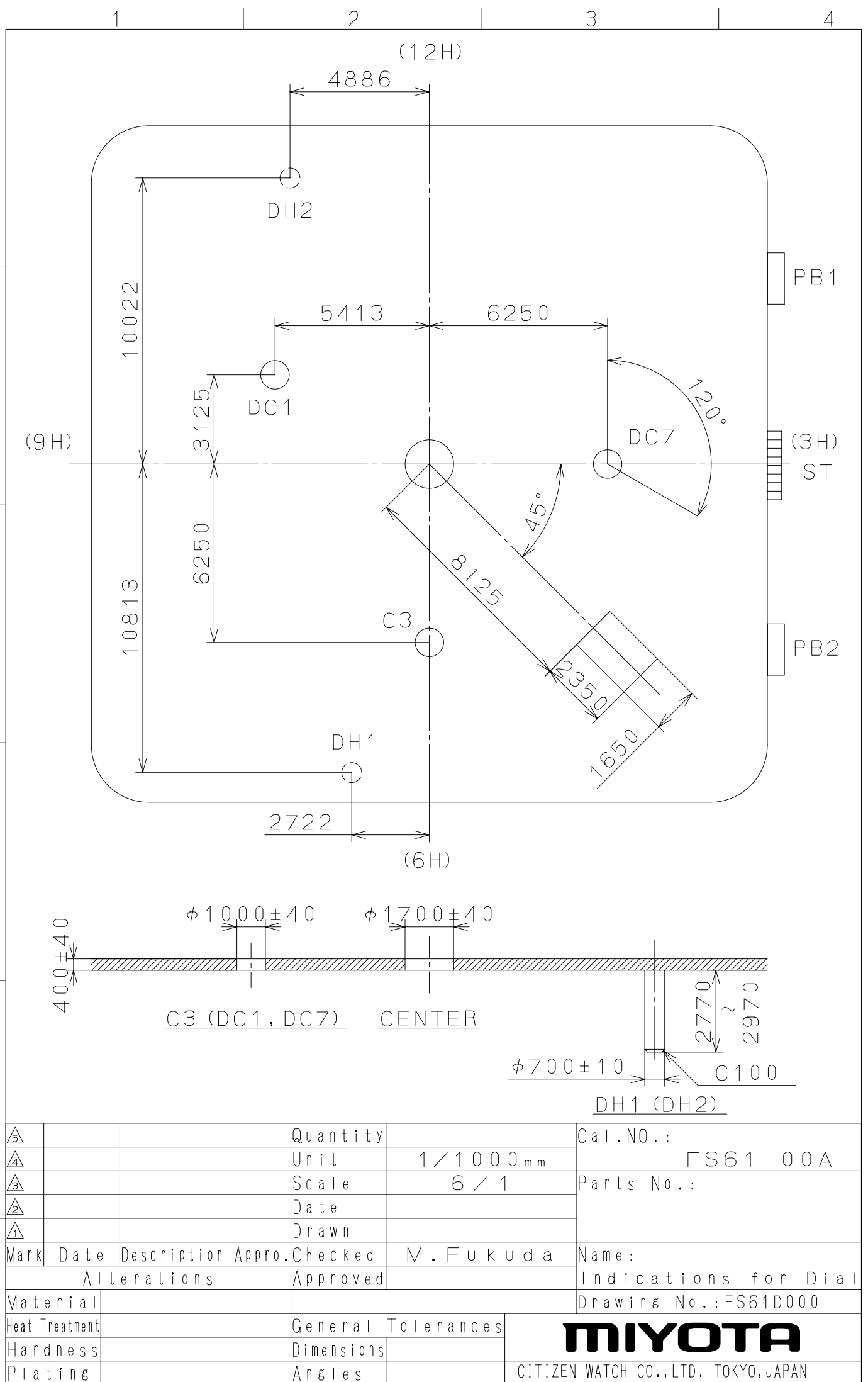
Quantity	Unit	Scale	Date	Drawn	Checked	Appr.
1	1/1000 mm	8/1				

Name: M. Fukuda
 Frame for Case
 Drawing No.: FS61C001
 Cal. NO.: FS61
 Parts No.:

MIYOTA
CITIZEN WATCH CO., LTD. TOKYO, JAPAN

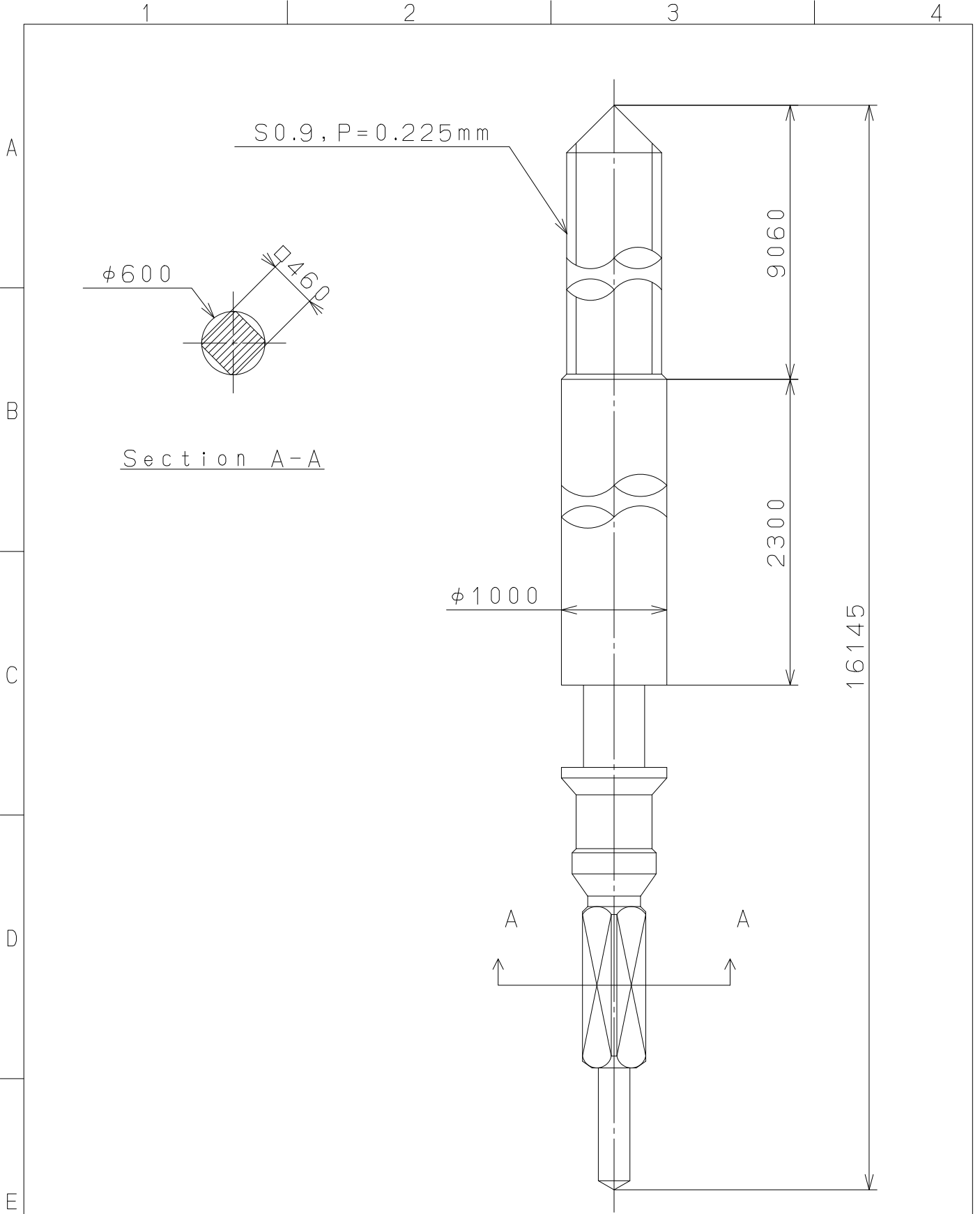
2006/10/24 (09:17:44)

This drawing is provisional and subject to our reconfirmation and/or revision without notice.



△			Quantity		Cal.NO.:
△			Unit	1 / 1000 _{mm}	FS61-00A
△			Scale	6 / 1	Parts No.:
△			Date		
△			Drawn		
Mark	Date	Description	Appr.	Checked	Name:
		Alterations	Approved	M. Fukuda	Indications for Dial
Material					Drawing No.: FS61D000
Heat Treatment			General Tolerances		MIYOTA
Hardness			Dimensions		
Plating			Angles		
					CITIZEN WATCH CO., LTD. TOKYO, JAPAN

This drawing is provisional and subject to our reconfirmation and/or revision without notice.



△			Quantity		Cal.NO.:
△			Unit	1 / 1000 mm	
△			Scale	20 : 1	Parts No.:
△			Date		065-549
△			Drawn		
Mark	Date	Description	Appro.	Checked	M. Kobayashi
Alterations			Approved	Name: SETTING STEM	
Material				Drawing No.: 5490S000	
Heat Treatment				MIYOTA CITIZEN WATCH CO., LTD. TOKYO, JAPAN	
Hardness					
Plating					