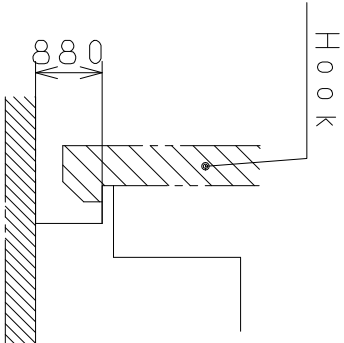
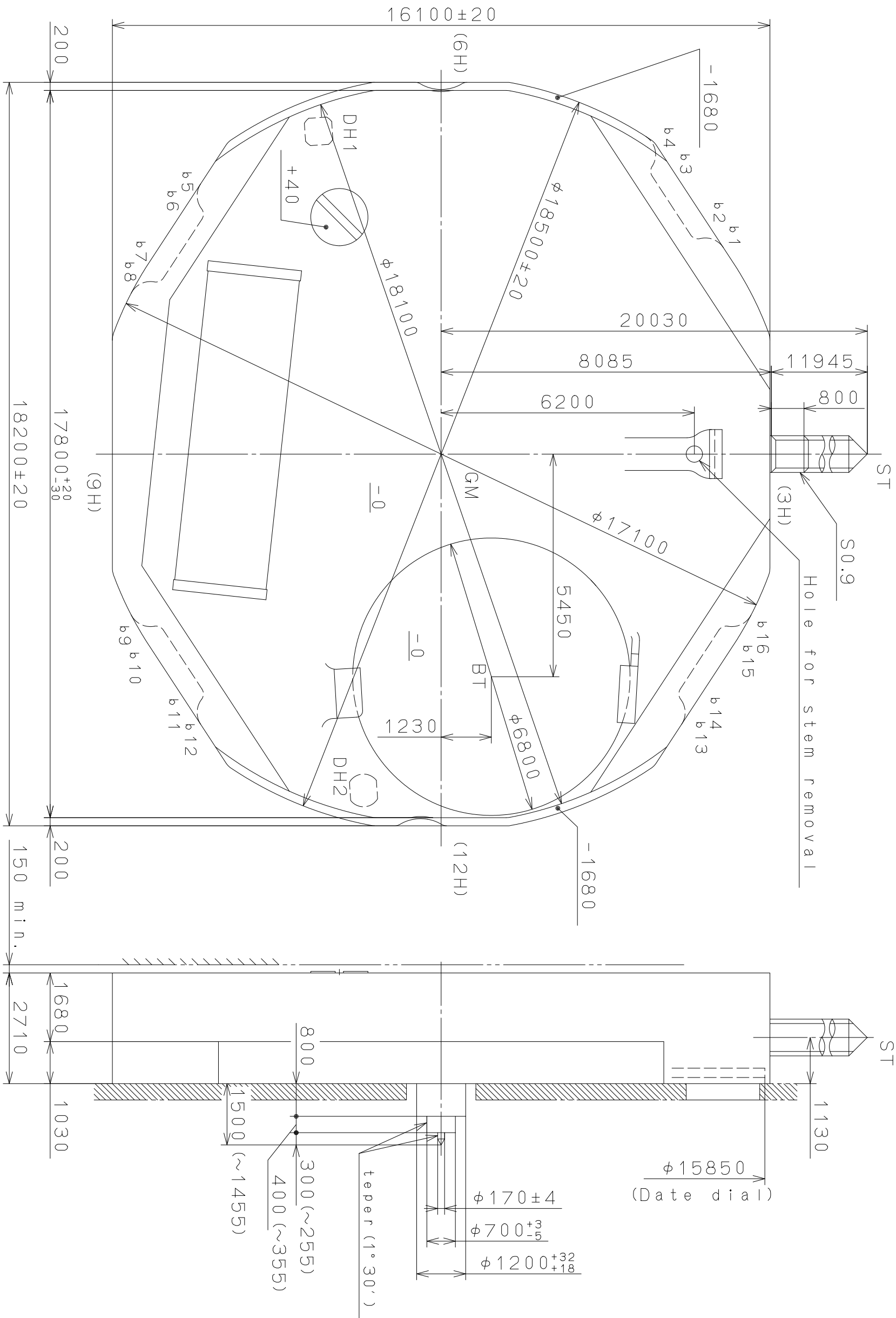


This drawing is provisional and subject to our reconfirmation and/or revision without notice.

DH1~DH2=16171±20

Coordinates

Mark	X	Y	R
GM	0	0	—
DH1	-7900	-3000	—
DH2	8234	-1900	—
b1	-4760	6470	530
b2	-5488	6291	220
b3	-6923	5351	220
b4	-7331	4722	530
b5	-6325	-5444	530
b6	-5871	-6041	220
b7	-4431	-6984	220
b8	-3693	-7119	530
b9	3693	-7119	530
b10	4431	-6984	220
b11	5871	-6041	220
b12	6325	-5444	530
b13	6325	5444	530
b14	5871	6041	220
b15	4431	6984	220
b16	3693	7119	530



Section b1~b16

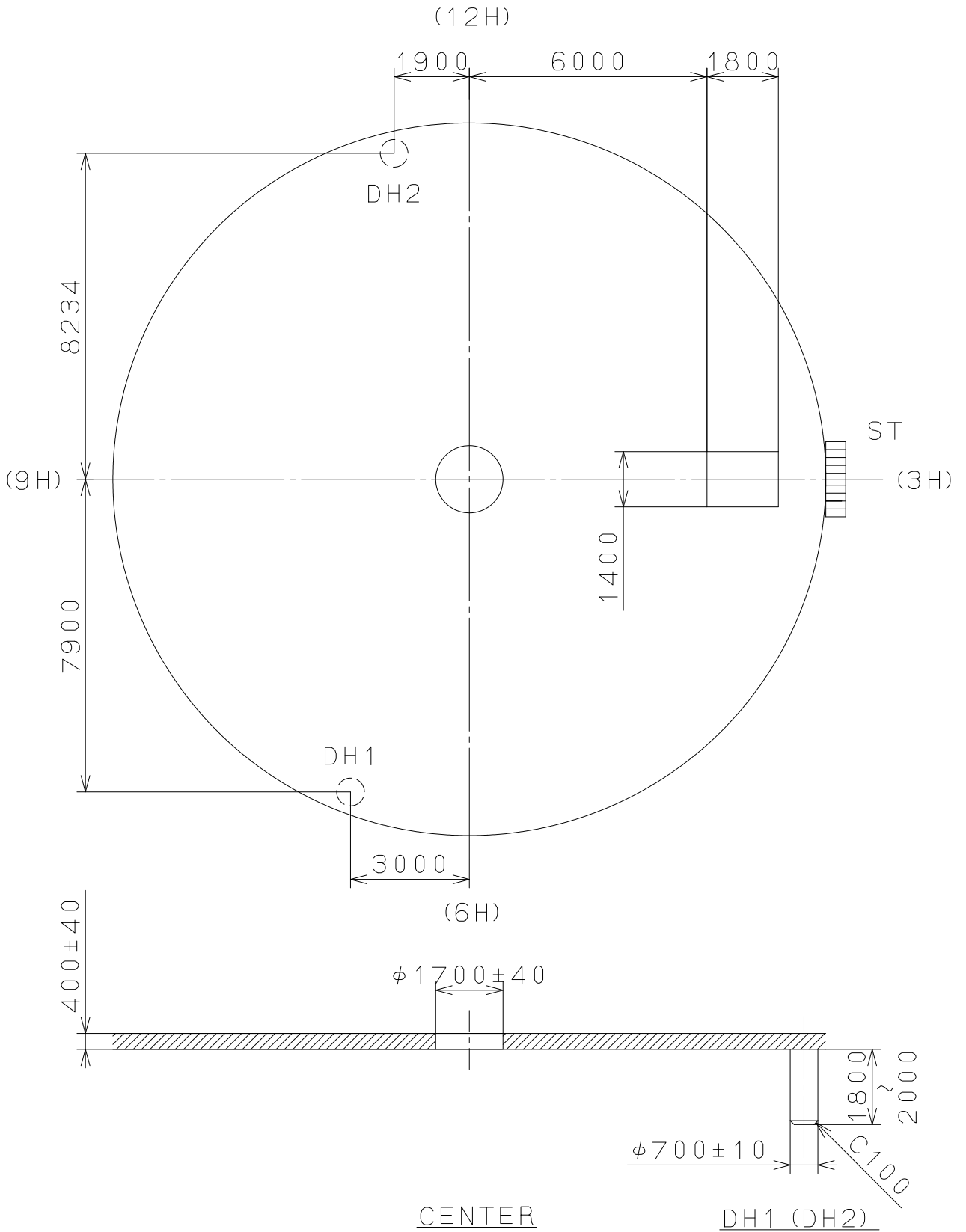
△	Quantity		Cal. NO.:	GL12
△	Unit		1/1000 mm	
△	Scale		10:1	Parts No.:
△	Date			
△	Drawn			
△	Checked			
△	Approved			
△	Description			
△	Alterations			
△	Date			
△	Material			
△	Heat Treatment			
△	Hardness			
△	Plating			
	General Tolerances			
	Dimensions			
	Angles			

MIYOTA
CITIZEN WATCH CO., LTD. TOKYO, JAPAN

Frame for Case
Drawing No.: GL1200C1

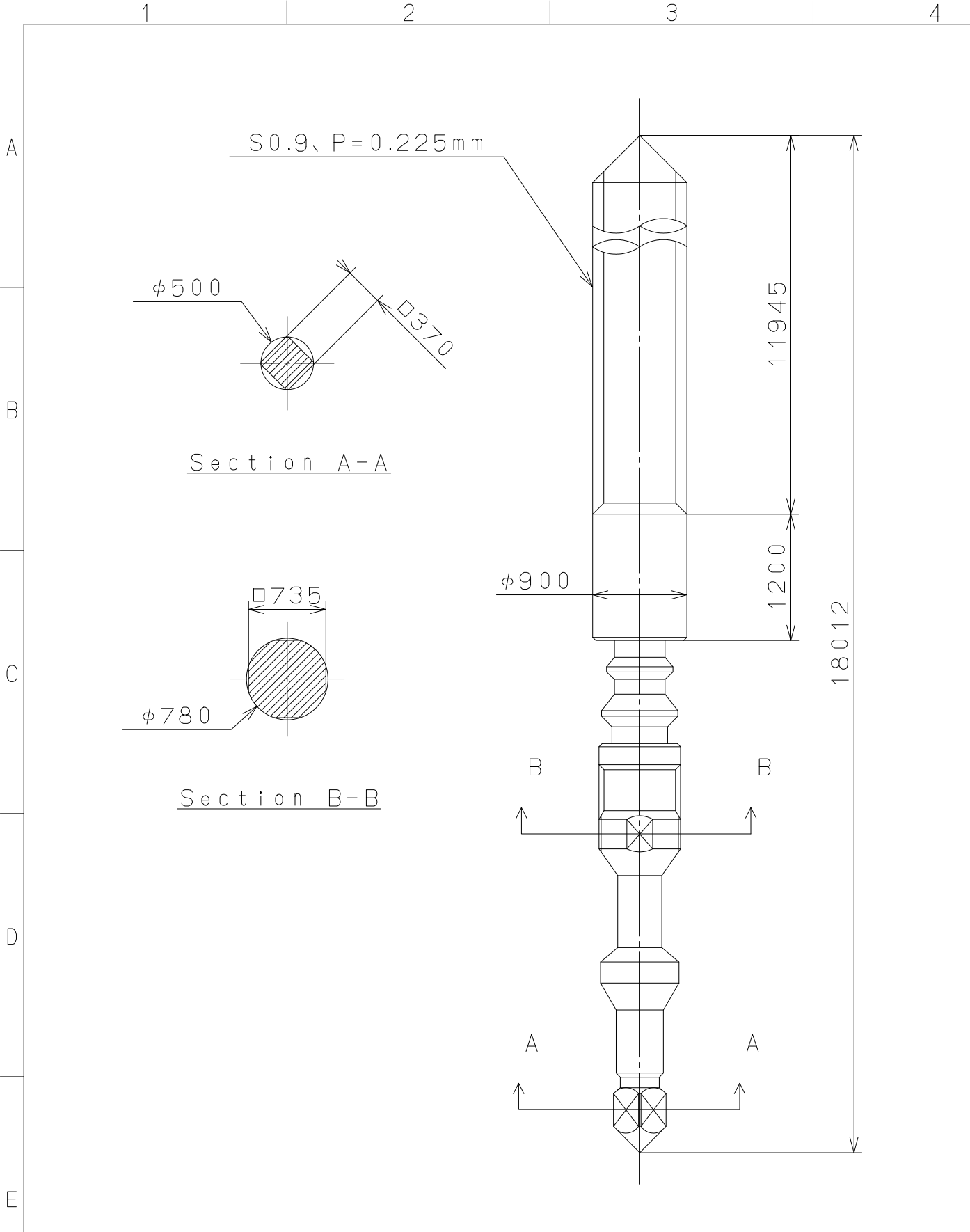
Name: D. Yamada

This drawing is provisional and subject to our reconfirmation and/or revision without notice.



△			Quantity		Cal.NO.:
△			Unit	1 / 1000 mm	GL12-10A
△			Scale	7 : 1	Parts No.:
△			Date		
△			Drawn		
Mark	Date	Description	Appr.	Checked	Name:
		Alterations	Approved	D. Yamada	Indications for Dial
Material					Drawing No.: GL1200D0
Heat Treatment			General Tolerances		MIYOTA
Hardness			Dimensions		
Plating			Angles		
					CITIZEN WATCH CO., LTD. TOKYO, JAPAN

This drawing is provisional and subject to our reconfirmation and/or revision without notice.



△			Quantity		Cal.NO.:
△			Unit	1/1000mm	
△			Scale	20:1	Parts No.:
△			Date		065-547
△			Drawn		
Mark	Date	Description	Appr.	Checked	Name:
		Alterations	Approved	D. Yamada	SETTING STEM
Material					Drawing No.: 547000S1
Heat Treatment			General Tolerances	MIYOTA CITIZEN WATCH CO., LTD. TOKYO, JAPAN	
Hardness			Dimensions		
Plating			Angles		

F