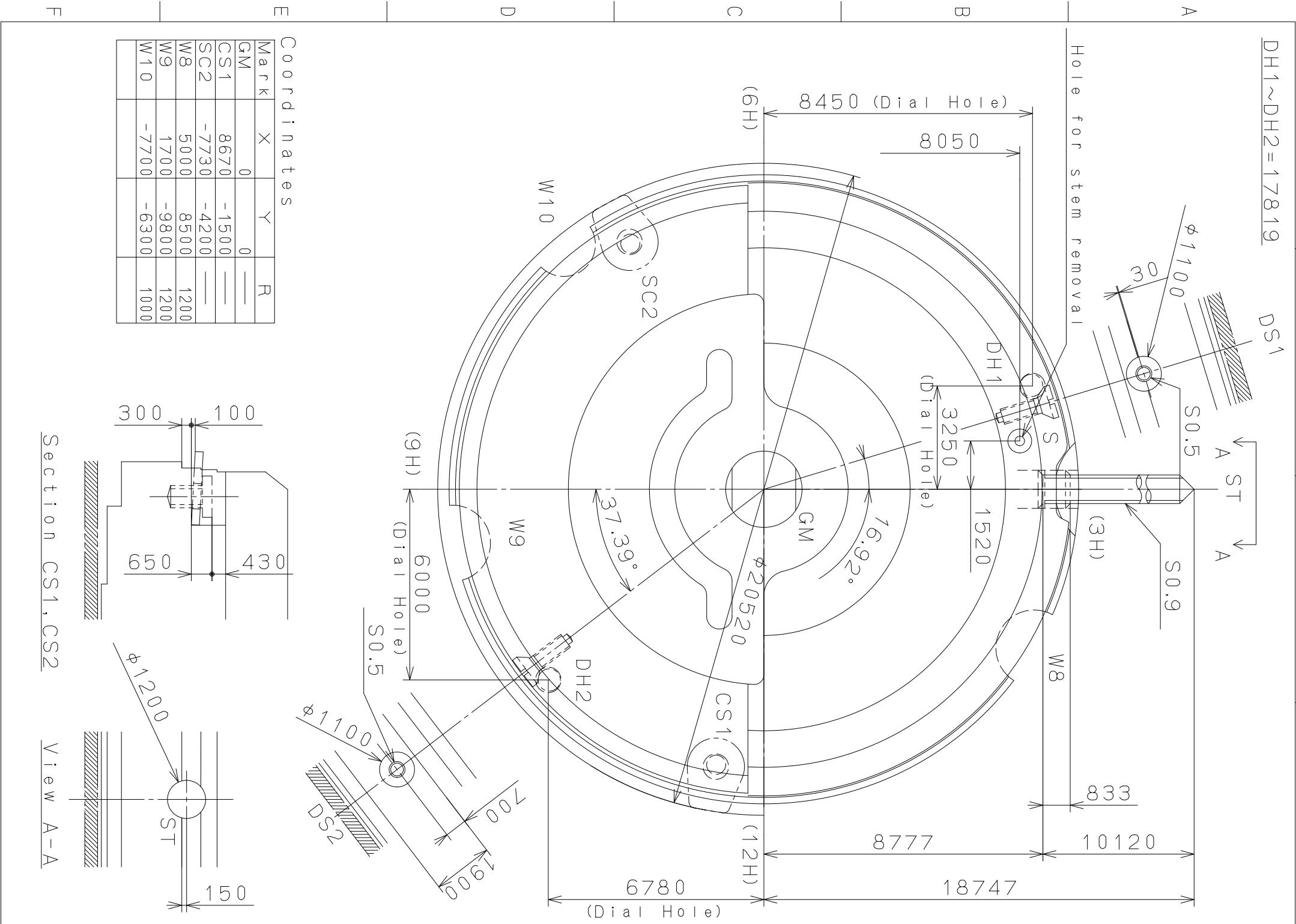
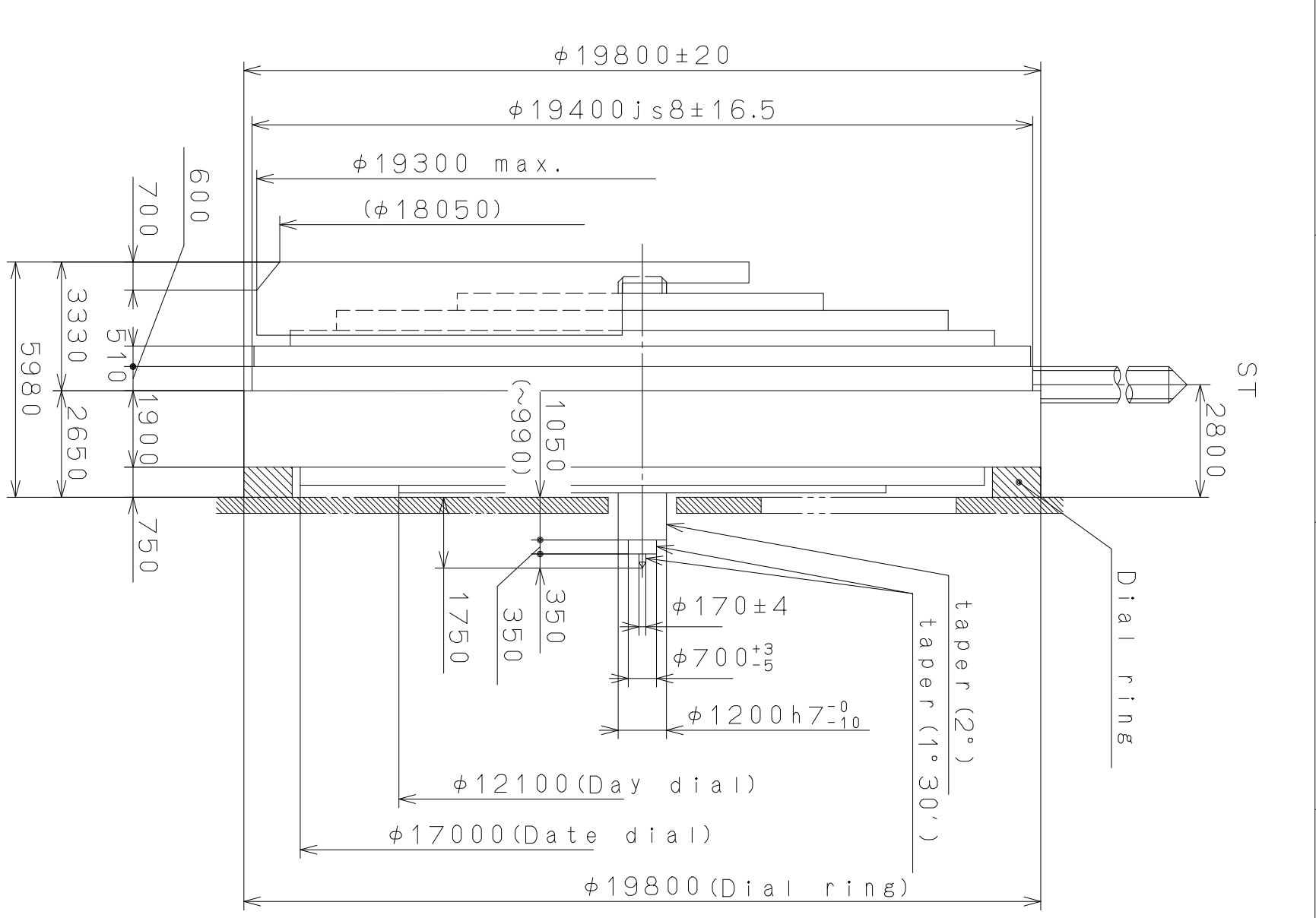
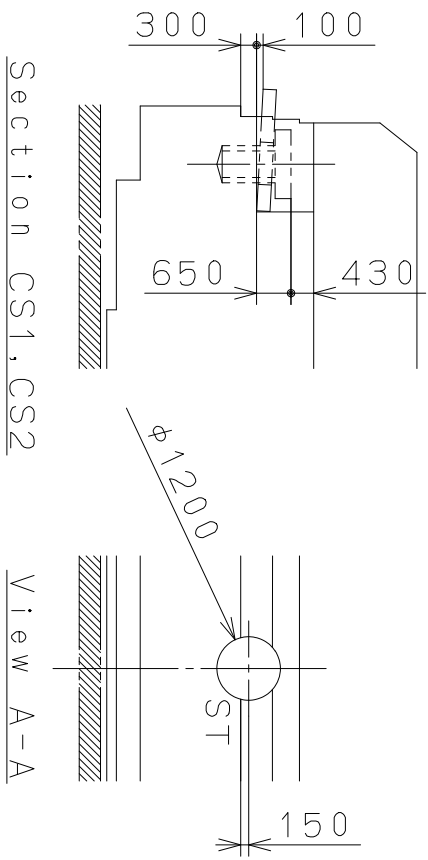


This drawing is provisional and subject to our reconfirmation and/or revision without notice.



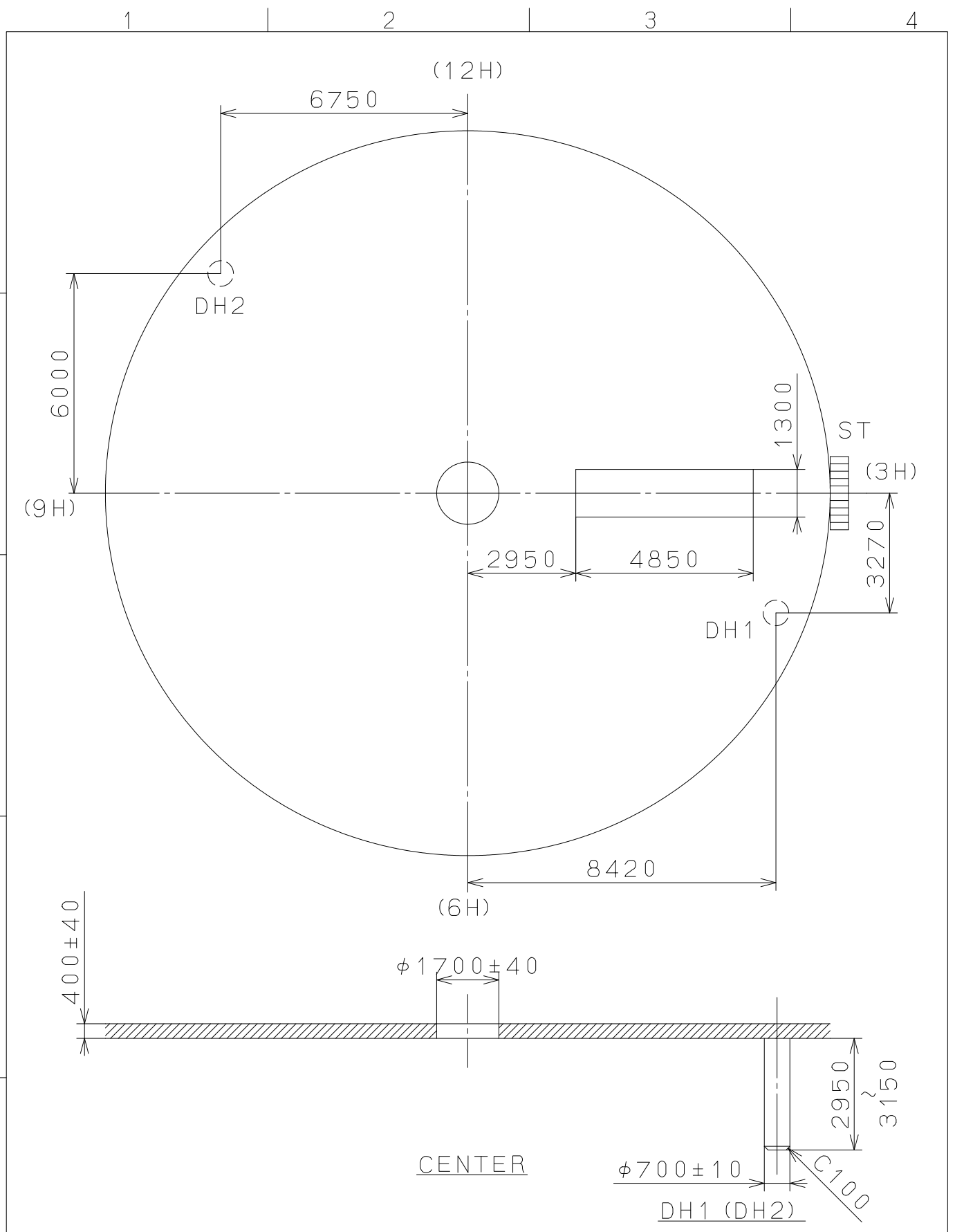
Coordinates

Mark	X	Y	R
GM	0	0	
CS1	8670	-1500	
SC2	-7730	-4200	
W8	5000	8500	1200
W9	1700	-9800	1200
W10	-7700	-6300	1000



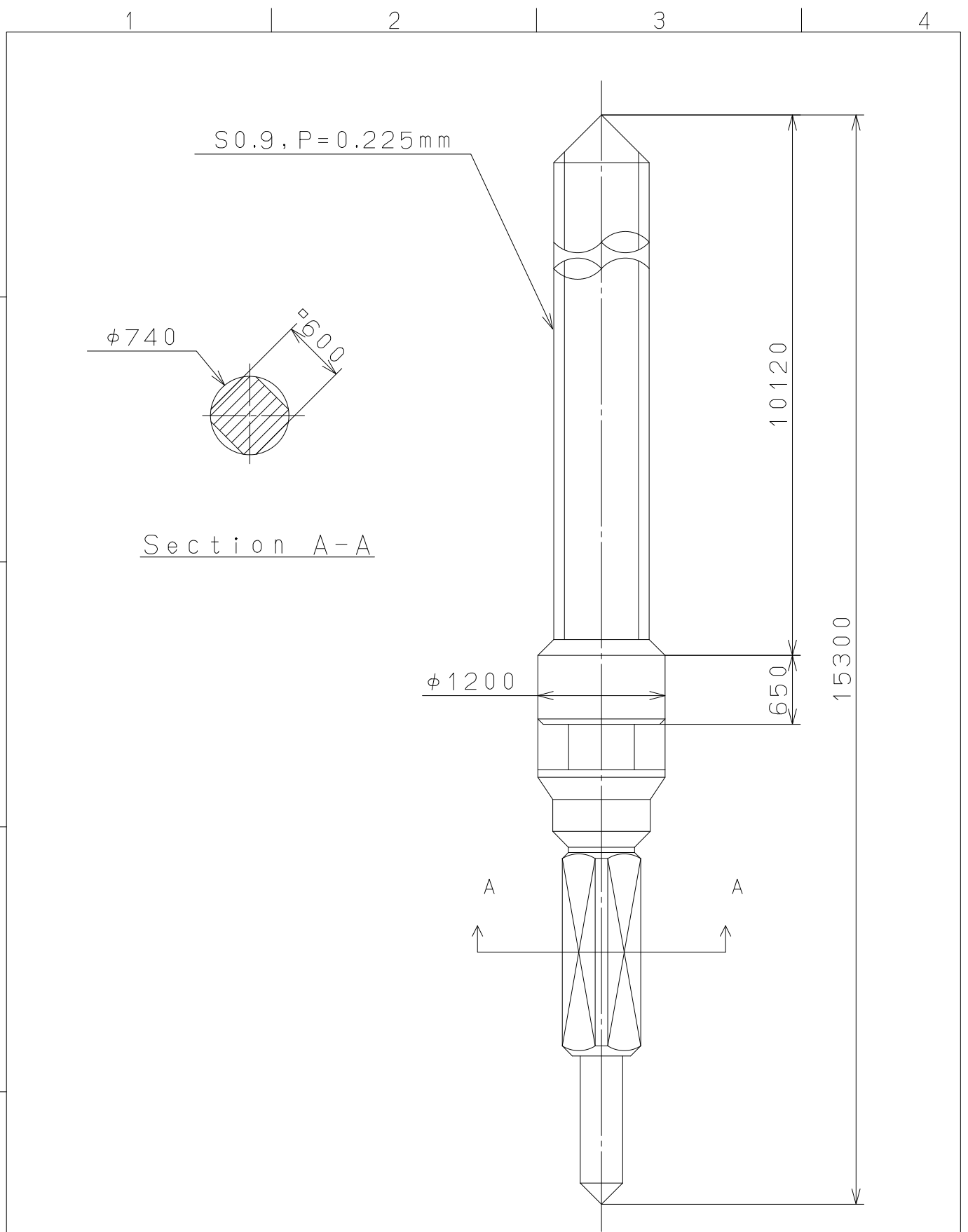
Material	Alterations	Quantity	Unit	Cal. NO.:
Heat Treatment	Date		1/1000 mm	6T51
Hardness	Description		Scale	Parts No.:
Plating	Appro.		Date	
	Checked		Drawn	
	Approved		D. Yamada	Name:
				Frame for Case
				Drawing No.: 6T5100C0
				<b>MIYOTA</b>
				CITIZEN WATCH CO., LTD. TOKYO, JAPAN

This drawing is provisional and subject to our reconfirmation and/or revision without notice.



△			Quantity		Cal.NO.:
△			Unit	1 / 1000 mm	6T51-AAQ
△			Scale	7 : 1	Parts No.:
△			Date		
△			Drawn		
Mark	Date	Description	Appr.	Checked	Name:
		Alterations	Approved	D. Yamada	Indications for Dial
Material					Drawing No.: 6T5100D0
Heat Treatment			General Tolerances		<b>MIYOTA</b>
Hardness			Dimensions		
Plating			Angles		
					CITIZEN WATCH CO., LTD. TOKYO, JAPAN

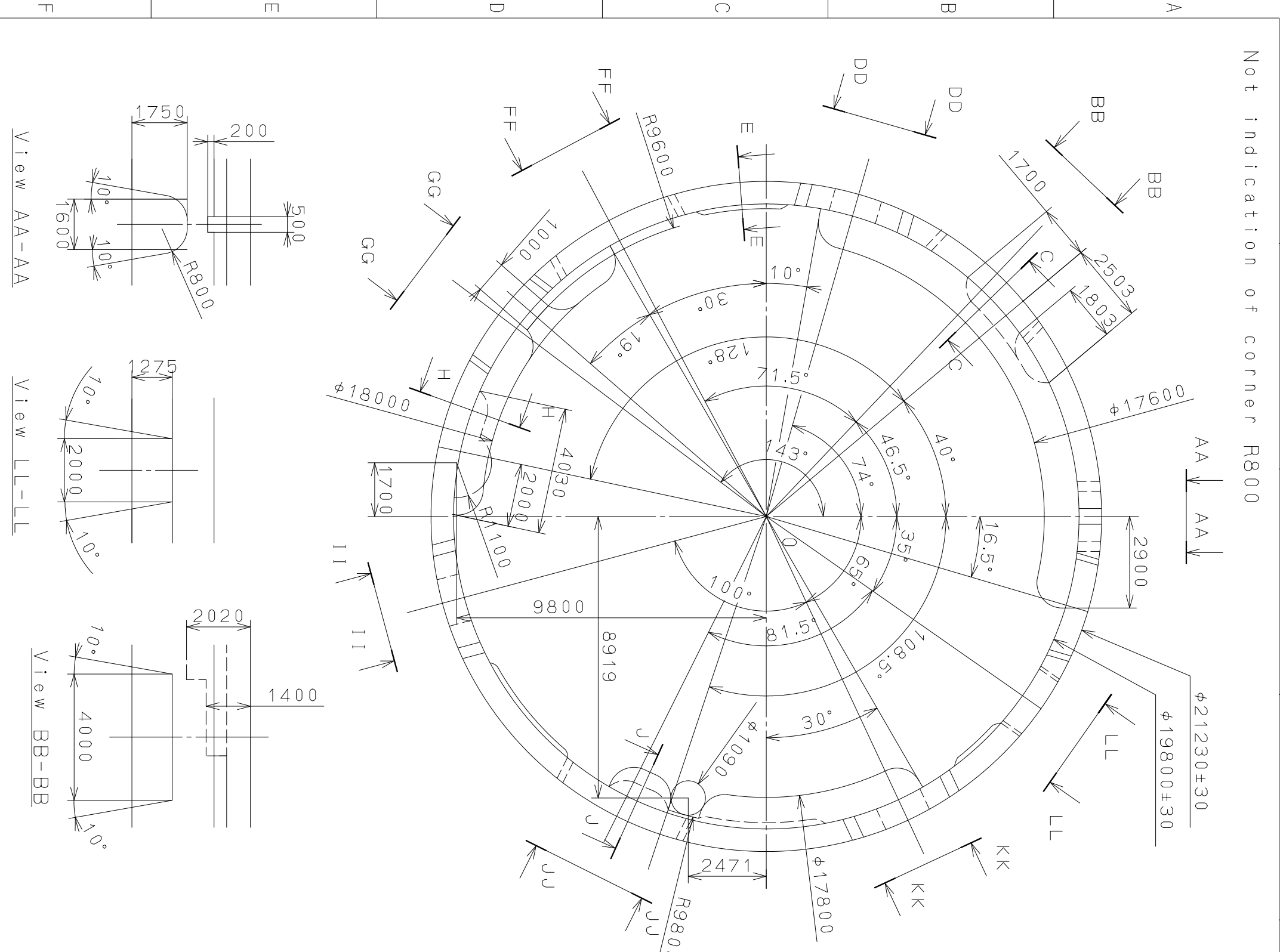
This drawing is provisional and subject to our reconfirmation and/or revision without notice.



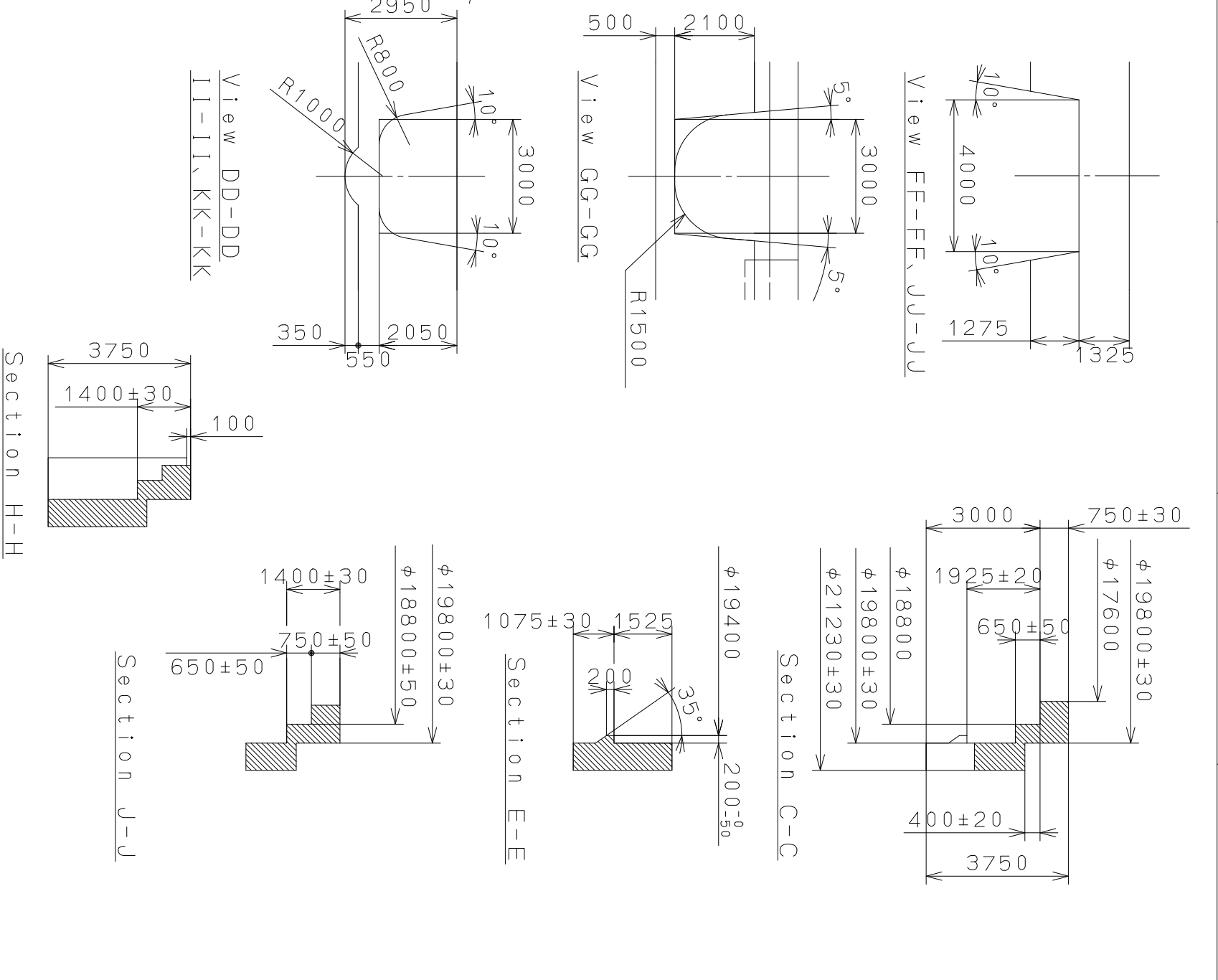
△			Quantity		Cal.NO.:
△			Unit	1/1000mm	
△			Scale	20:1	Parts No.:
△			Date		065-117
△			Drawn		Name:
Mark	Date	Description	Appro.	Checked	D. Yamada
Alterations			Approved	SETTING STEM	
Material					Drawing No.: 117000S0
Heat Treatment	General Tolerances				<b>MIYOTA</b>
Hardness	Dimensions				
Plating	Angles				
					CITIZEN WATCH CO., LTD. TOKYO, JAPAN

This drawing is provisional and subject to our reconfirmation and/or revision without notice.

Not indication of corner R800



Material	Alterations	Date	Description	Appr.	Checked	Drawn	D. Yamada	Name:	Casing Holder
Heat Treatment								Drawing No.:	665000E0
Hardness								Parts No.:	500-6621
Plating								Cal. NO.:	
General Tolerances		Unit		1/1000 mm		Scale		7 : 1	
Dimensions		Date				Date			
Angles		Approved				Approved			



**MIYOTA**  
CITIZEN WATCH CO., LTD. TOKYO, JAPAN